



## Engineering Data Sheet

# A 118

18-inch passive subwoofer

### Features:

- EVS-18K 18-inch Woofer provides extended low-frequency output
- 40 Hz to 200 Hz frequency range
- 96 dB SPL sensitivity, 128 dB max. SPL
- 400 W continuous, 1600 W peak power
- 15 mm Plywood Enclosure



**Wir weisen ausdrücklich darauf hin, dass bei gehängten Lautsprecherboxen die einschlägigen Sicherheitsbestimmungen zu beachten sind. Es muss unbedingt qualifizierte Fachberatung in Anspruch genommen werden!**

**We expressly point out that the relevant safety regulations must be observed for "flying" loudspeaker systems. It is imperative that qualified expert advice is sought.**

#### WARNING:

THIS LOUDSPEAKER SYSTEM CAN PERMANENTLY DAMAGE HEARING!  
USE EXTREME CARE WHEN SETTING SOUND PRESSURE LEVELS!

#### DANGER:

CONSULT A CERTIFIED STRUCTURAL ENGINEER BEFORE ANY ATTEMPT TO SUSPEND THIS LOUDSPEAKER! LOUDSPEAKER CAN FALL FROM IMPROPER SUSPENSION, RESULTING IN SEVERE INJURY AND DAMAGE OF PROPERTY. DO NOT SUSPEND OR MOUNT ANY OTHER PRODUCT OR DEVICE FROM THIS LOUDSPEAKER ENCLOSURE! USE GRADE 5 HARDWARE OR BETTER ONLY!

<b>Order No.</b>	A118: F01U270187
<b>Cabinet</b>	Subwoofer
<b>Nominal impedance</b>	8 Ohms
<b>Minimum impedance</b>	6.7 Ohms
<b>Power Handling</b>	
continuous	400 W
program	800 W
peak	1600 W
<b>Max. SPL</b> (calculated with peak power)	128 dB
<b>Axial Sensitivity</b>	96 dB
<b>Frequency Range (-10 dB)</b>	40 Hz to 200 Hz
<b>Frequency Response (-3 dB)</b>	50 Hz to 100 Hz
<b>Recommended HP Frequency</b>	30 Hz
<b>Coverage (Horizontal x Vertical)</b>	Omnidirectional
<b>LF Transducer</b>	1 x EVS-18K, 457 mm (18"), F01U250964
<b>Connectors</b>	2 x NL4-type
<b>Enclosure Material</b>	9-ply, 15 mm Plywood, internally braced, with textured paint
<b>Grille</b>	18-GA Steel with black powdercoat
<b>Product Dimensions (H x W x D)</b>	661 x 507 x 574 mm
<b>Shipping Dimensions (H x W x D)</b>	738 x 575 x 642 mm
<b>Net Weight</b>	30.6 kg
<b>Shipping Weight</b>	37.3 kg
<b>Warranty</b>	5 years
<b>Optional Accessories</b>	
SH-A118, Dust Cover	F01U270397
<b>Recommended extensions</b>	
A 112 12" full-range cabinet	F01U270185
A 115 15" full-range cabinet	F01U270186

## Description

Clear, powerful and musical DYNACORD loudspeakers command the stage at high-profile venues and major events worldwide. Born stage-ready, the A-Line includes powered and passive models that all feature DYNACORD-engineered components in solid wood cabinets. Wherever performance matters, A-Line is serious gear for serious sound.

Illustration 1: Dimensions

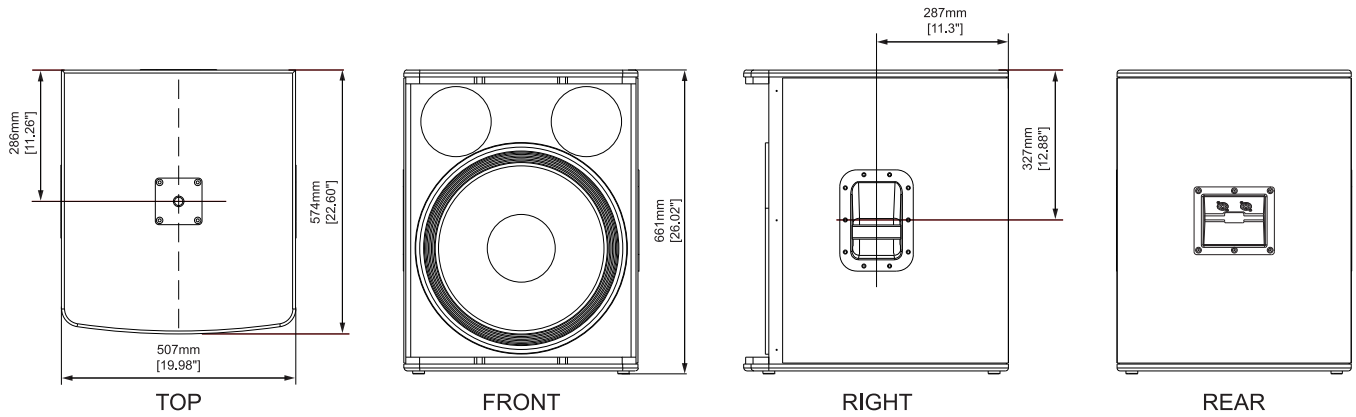


Illustration 2: Circuit diagram

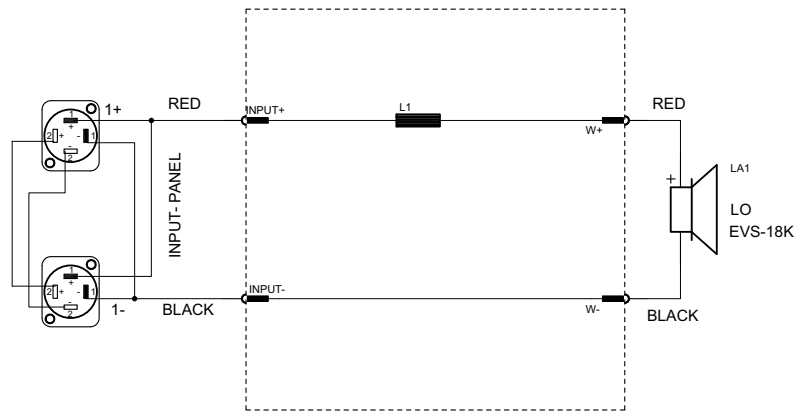


Illustration 3: Frequency Response

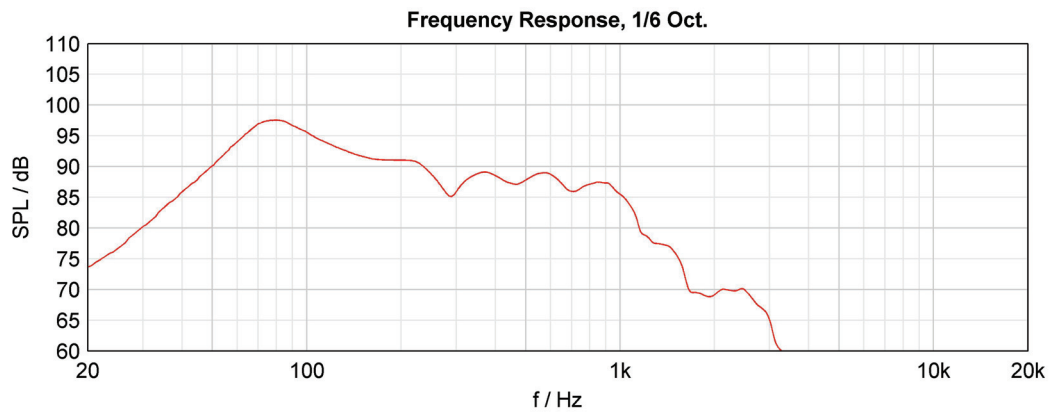


Illustration 4: Impedance

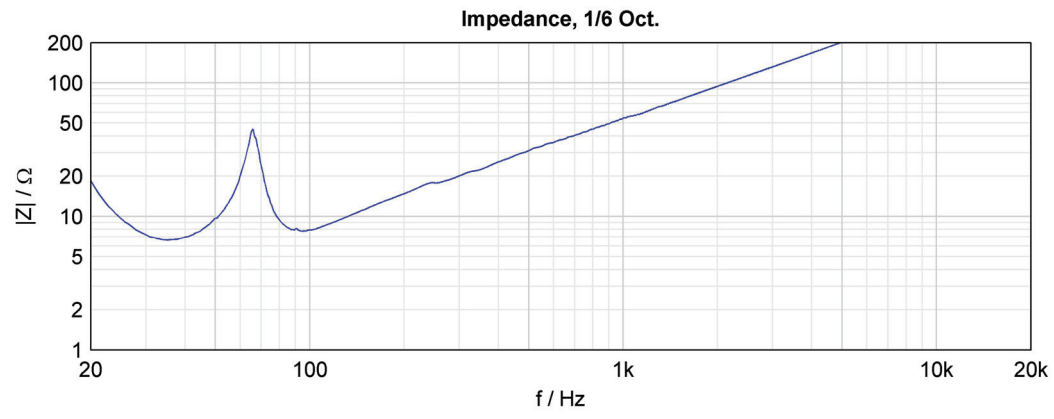
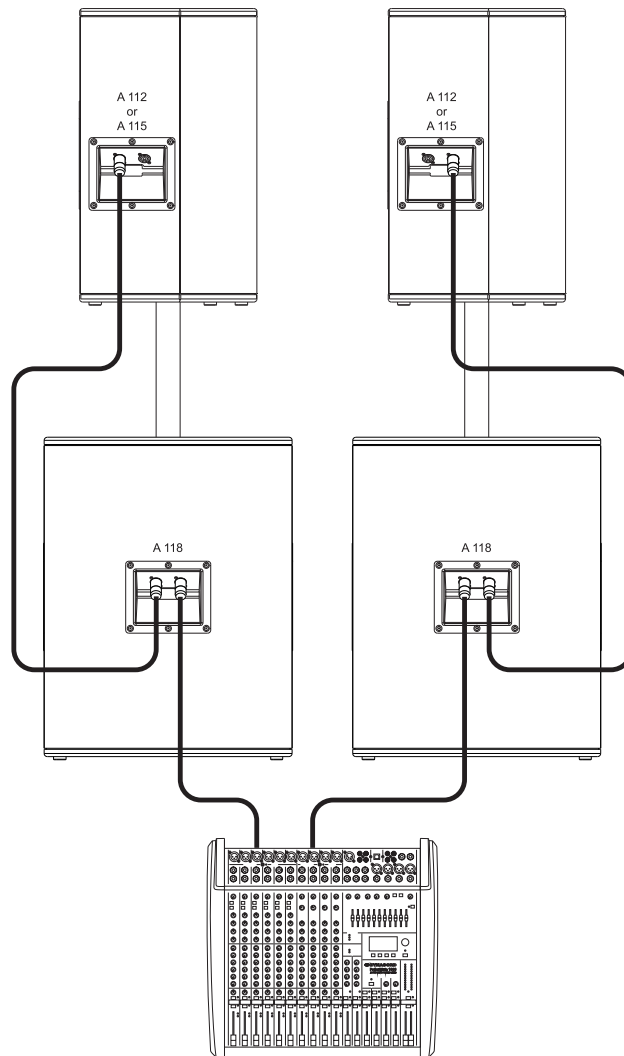


Illustration 5: System example, two A 115 and two A 118 subwoofers connected to a PowerMate 1000-3





12000 Portland Avenue South, Burnsville, MN 55337, USA  
Phone: +1 952/844-4051, Fax: +1 952/884-0043

[www.dynacord.com](http://www.dynacord.com)

© Bosch Communications Systems 10/2012

**Part Number F01U270187 Vs 03**

Europe, Africa, and Middle East only. For customer orders, contact Customer Service at:  
**+49 9421-706 0 Fax: +49 9421-706 265**

Asia & Pacific only. For customer orders, contact Customer Service at:  
**+65 6571 2534 Fax: +65 6571 2699**

For technical assistance, contact Technical Support at: **+49 9421-706 0**

Specifications subject to change without notice.