

CHORUS LINE 8™
user manual

©2020 ELATION PROFESSIONAL all rights reserved. Information, specifications, diagrams, images, and instructions herein are subject to change without notice. ELATION PROFESSIONAL logo and identifying product names and numbers herein are trademarks of ELATION PROFESSIONAL. Copyright protection claimed includes all forms and matters of copyrightable materials and information now allowed by statutory or judicial law or hereinafter granted. Product names used in this document may be trademarks or registered trademarks of their respective companies and are hereby acknowledged. All non-ELATION brands and product names are trademarks or registered trademarks of their respective companies.

ELATION PROFESSIONAL and all affiliated companies hereby disclaim any and all liabilities for property, equipment, building, and electrical damages, injuries to any persons, and direct or indirect economic loss associated with the use or reliance of any information contained within this document, and/or as a result of the improper, unsafe, insufficient and negligent assembly, installation, rigging, and operation of this product.

Elation Professional USA | 6122 S. Eastern Ave. | Los Angeles, CA. 90040
 323-582-3322 | 323-832-9142 fax | www.elationlighting.com | info@elationlighting.com

Elation Professional B.V. | Junostraat 2 | 6468 EW Kerkrade, The Netherlands
 +31 45 546 85 66 | +31 45 546 85 96 fax | www.elationlighting.eu | info@elationlighting.eu

Elation Professional Mexico | AV Santa Ana 30 | Parque Industrial Lerma, Lerma, Mexico 52000
 +52 (728) 282-7070

DOCUMENT VERSION



Due to additional product features and/or enhancements, an updated version of this document may be available online. Please scan the QR Code with your mobile device or visit www.elationlighting.com for the latest revision/update of this manual before installation and/or programming.

Date	Document Version	Software Version ≥	DMX Channel Modes	Notes
10/19/17	1	1.02	16 / 18 / 46	Initial release.
01/26/18	1.2	1.03	NO CHANGE	Added sACN, Pixel Flip, Art-Net/Kling-Net dual control.
07/25/18	1.4	1.08	NO CHANGE	Updated manual format.
06/25/20	1.6	N/C	NO CHANGE	Updated thermal
10/16/20	1.8	N/C	NO CHANGE	Updated specifications
05/24/21	2.0	1.09	NO CHANGE	Updated Software
08/26/21	2.2	1.12	NO CHANGE	Updated Software

CONTENTS

General Information	4
Limited Warranty (USA Only)	5
Safety Guidelines	6
Maintenance Guidelines	8
Fixture Overview	9
Installation Guidelines	10
System Menu	13
DMX Channel Functions and Values	15
Color Macro Chart	20
Pixel Control	21
Specifications	22
Optional Accessories	24

GENERAL INFORMATION

INTRODUCTION

This fixture has been designed to perform reliably for years when the information in this manual are followed. Please read and understand all the instructions and guidelines carefully and thoroughly before operating this unit. This manual contains important information regarding safety, installation, use, and maintenance.

UNPACKING

Each fixture has been thoroughly tested and shipped in perfect operating condition. Carefully check the outer shipping carton for signs of any damage that may have occurred during shipping. If the outer carton appears to be damaged, carefully inspect the fixture for damage and be sure all included accessories have arrived intact. In the event damage has been found and/or parts are missing, please contact our customer support team for further instructions. Please do NOT return this fixture to your dealer without first contacting customer support at the number listed below. Please do NOT discard the outer shipping carton in the trash. Please recycle whenever possible.

CUSTOMER SUPPORT

Elation Professional provides a customer support line to provide set up help and answer any set up or operation questions. You may also visit us on the web at www.elationlighting.com for any comments or suggestions. For service related issue please contact Elation Professional.

ELATION SERVICE USA - Monday - Friday 8:00am to 5:00pm PST

Voice: 323-582-3322

Fax: 323-832-9142

E-mail: support@elationlighting.com

ELATION SERVICE EUROPE - Monday - Friday 08:30 to 17:00 CET

Voice: +31 45 546 85 30

Fax: +31 45 546 85 96

E-mail: support@elationlighting.eu

WARRANTY REGISTRATION / RETURNS

Please register online: <http://www.elationlighting.com/Login.aspx> to validate your purchase. All returned service items whether under warranty or not, must be freight pre-paid and accompany a return authorization (R.A.) number. The R.A. number must be clearly written on the outside of the return package. A brief description of the problem as well as the R.A. number must also be written down on a piece of paper and included in the shipping container. If the unit is under warranty, you must provide a copy of your proof of purchase invoice. Items returned without a R.A. number clearly marked on the outside of the package will be refused and returned at customer's expense. You may obtain a R.A. number by contacting customer support.

LIMITED WARRANTY (USA ONLY)

- A. Elation Professional hereby warrants, to the original purchaser, Elation Professional products to be free of manufacturing defects in material and workmanship for a period of two years (730 days), and Elation Professional product rechargeable batteries to be free of manufacturing defects in material and workmanship for a period of six months (180 days), from the original date of purchase. This warranty excludes discharge lamps and all product accessories. This warranty shall be valid only if the product is purchased within the United States of America, including possessions and territories. It is the owner's responsibility to establish the date and place of purchase by acceptable evidence, at the time service is sought.
- B. For warranty service, send the product only to the Elation Professional factory. All shipping charges must be pre-paid. If the requested repairs or service (including parts replacement) are within the terms of this warranty, Elation Professional will pay return shipping charges only to a designated point within the United States. If any product is sent, it must be shipped in its original package and packaging material. No accessories should be shipped with the product. If any accessories are shipped with the product, Elation Professional shall have no liability whatsoever for loss and/or or damage to any such accessories, nor for the safe return thereof.
- C. This warranty is void if the product serial number and/or labels are altered or removed; if the product is modified in any manner which Elation Professional concludes, after inspection, affects the reliability of the product; if the product has been repaired or serviced by anyone other than the Elation Professional factory unless prior written authorization was issued to purchaser by Elation Professional; if the product is damaged because not properly maintained as set forth in the product instructions, guidelines and/or user manual.
- D. This is not a service contract, and this warranty does not include any maintenance, cleaning, or periodic check-up. During the periods as specified above, Elation Professional will replace defective parts at its expense, and will absorb all expenses for warranty service and repair labor by reason of defects in material or workmanship. The sole responsibility of Elation Professional under this warranty shall be limited to the repair of the product, or replacement thereof, including parts, at the sole discretion of Elation Professional. All products covered by this warranty were manufactured after January 1, 1990, and bare identifying marks to that effect.
- E. Elation Professional reserves the right to make changes in design and/or performance improvements upon its products without any obligation to include these changes in any products theretofore manufactured.
- F. No warranty, whether expressed or implied, is given or made with respect to any accessory supplied with the products described above. Except to the extent prohibited by applicable law, all implied warranties made by Elation Professional in connection with this product, including warranties of merchantability or fitness, are limited in duration to the warranty periods set forth above. And no warranties, whether expressed or implied, including warranties of merchantability or fitness, shall apply to this product after said periods have expired. The consumer's and/or dealer's sole remedy shall be such repair or replacement as is expressly provided above; and under no circumstances shall Elation Professional be liable for any loss and/or damage, direct and/or consequential, arising out of the use of, and/or the inability to use, this product.
- G. This warranty is the only written warranty applicable to Elation Professional products and supersedes all prior warranties and written descriptions of warranty terms and conditions heretofore published.

SAFETY GUIDELINES

This fixture is a sophisticated piece of electronic equipment. To guarantee a smooth operation, it is important to follow all instructions and guidelines in this manual. Elation Professional is not responsible for injury and/or damages resulting from the misuse of this fixture due to the disregard of the information printed in this manual. Only qualified and/or certified personnel should perform installation of this fixture and only the original rigging parts (omega brackets) included with this fixture should be used for installation. Any modifications to the fixture and/or the included mounting hardware will void the original manufactures warranty and increase the risk of damage and/or personal injury.



PROTECTION CLASS 1 - FIXTURE MUST BE PROPERLY GROUNDED



**THERE ARE NO USER SERVICEABLE PARTS INSIDE THIS UNIT.
DO NOT ATTEMPT ANY REPAIRS YOURSELF; DOING SO WILL VOID YOUR
MANUFACTURES WARRANTY. DAMAGES RESULTING FROM
MODIFICATIONS TO THIS FIXTURE AND/OR THE DISREGARD OF SAFETY
INSTRUCTIONS AND GUIDELINES IN THIS MANUAL VOID THE
MANUFACTURES WARRANTY AND ARE NOT SUBJECT TO ANY
WARRANTY CLAIMS AND/OR REPAIRS.**



**DO NOT PLUG FIXTURE INTO A DIMMER PACK!
NEVER OPEN THIS FIXTURE WHILE IN USE!
UNPLUG POWER BEFORE SERVICING FIXTURE!
NEVER TOUCH FIXTURE DURING OPERATION, AS IT MAY BE HOT!
KEEP FLAMMABLE MATERIALS AWAY FROM FIXTURE!**



**NEVER LOOK DIRECTLY INTO THE LIGHT SOURCE!
RETINA INJURY RISK - MAY INDUCE BLINDNESS!
SENSITIVE PERSONS MAY SUFFER AN EPILEPTIC SHOCK!**



**INDOOR / DRY LOCATIONS USE ONLY!
DO NOT EXPOSE FIXTURE TO RAIN AND/OR MOISTURE!**

SAFETY GUIDELINES

DO NOT TOUCH the fixture housing during operation. Turn OFF the power and allow approximately 15 minutes for the fixture to cool down before serving.

DO NOT shake fixture, avoid brute force when installing and/or operating fixture.

DO NOT operate fixture if the power cord is frayed, crimped, damaged and/or if any of the power cord connectors are damaged and do not insert into the fixture securely with ease. **NEVER** force a power cord connector into the fixture. If the power cord or any of its connectors are damaged, replace it immediately with a new one of similar power rating.

DO NOT block any air ventilation slots.

All fan and air inlets must remain clean and never blocked.

Allow approx. 6" (15cm) between fixture and other devices or a wall for proper cooling.

When installing fixture in a suspended environment, always use mounting hardware that is no less than M10 x 25 mm, and always install fixture with an appropriately rated safety cable.

Always disconnect fixture from main power source before performing any type of service and/or cleaning procedure. Only handle the power cord by the plug end, never pull out the plug by tugging the wire portion of the cord.

During the initial operation of this fixture, a light smoke or smell may emit from the interior of the fixture. This is a normal process and is caused by excess paint in the interior of the casing burning off from the heat associated with the lamp and will decrease gradually over time.

Consistent operational breaks will ensure fixture will function properly for many years.

ONLY use the original packaging and materials to transport the fixture in for service.

MAINTENANCE GUIDELINES



DISCONNECT POWER BEFORE PERFORMING ANY MAINTENANCE!

CLEANING

Frequent cleaning is recommended to insure proper function, optimized light output, and an extended life. The frequency of cleaning depends on the environment in which the fixture operates: damp, smoky or particularly dirty environments can cause greater accumulation of dirt on the fixture's optics. Clean the external lens surface at least every 20 days with a soft cloth to avoid dirt/debris accumulation.

NEVER use alcohol, solvents, or ammonia-based cleaners.

MAINTENANCE

Regular inspections are recommended to insure proper function and extended life.

There are no user serviceable parts inside this fixture, please refer all other service issues to an authorized Elation service technician. Should you need any spare parts, please order genuine parts from your local Elation dealer.

Please refer to the following points during routine inspections:

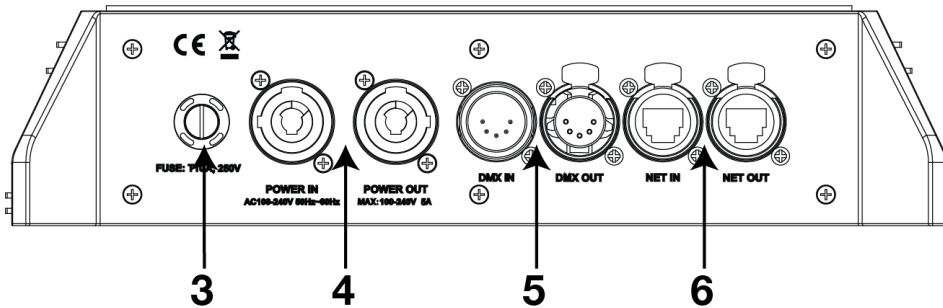
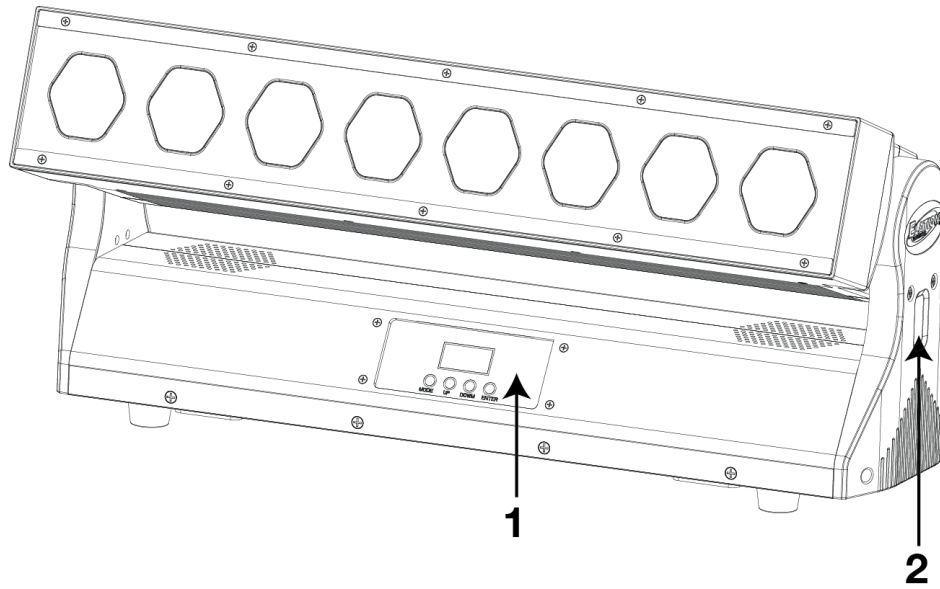
A detailed review by an approved electrical engineer every three months, to make sure the circuit contacts are in good condition and prevent overheating.

Be sure all screws and fasteners are securely tightened at all times. Loose screws may fall out during normal operation resulting in damage or injury as larger parts could fall.

Check for any deformations on the housing, color lenses, rigging hardware and rigging points (ceiling, suspension, trussing). Deformations in the housing could allow for dust to enter into the fixture. Damaged rigging points or unsecured rigging could cause the fixture to fall and seriously injure a person(s).

Electric power supply cables must not show any damage, material fatigue or sediments. **NEVER** remove the ground prong from the power cable.

FIXTURE OVERVIEW



1. LCD Menu Display, MENU, UP, DOWN, ENTER Buttons
2. Tilt Lock
3. Fuse
4. Power IN/OUT
5. 5pin DMX IN/OUT
6. RJ45 Ethernet IN/OUT

INCLUDED ITEMS

Replacement Lens Covers (x2)
Omega Brackets (x2)
Power Cable

INSTALLATION INSTRUCTIONS



FLAMMABLE MATERIAL WARNING

Keep fixture minimum 5.0 feet (1.5m) away from flammable materials and/or pyrotechnics.



ELECTRICAL CONNECTIONS

A qualified electrician should be used for all electrical connections and/or installations.



USE CAUTION WHEN POWER LINKING OTHER MODEL FIXTURES AS THE POWER CONSUMPTION OF OTHER MODEL FIXTURES MAY EXCEED THE MAX POWER OUTPUT ON THIS FIXTURE. CHECK SILK SCREEN FOR MAX AMPS.



DO NOT INSTALL THE FIXTURE IF YOU ARE NOT QUALIFIED TO DO SO!

Fixture **MUST** be installed following all local, national, and country commercial electrical and construction codes and regulations.

Before rigging/mounting a single fixture or multiple interconnected fixtures for custom matrix designs to any metal truss/structure or placing the fixture(s) on any surface, a professional equipment installer **MUST** be consulted to determine if the metal truss/structure or surface is properly certified to safely hold the combined weight of the fixture(s), clamps, cables, and accessories.

Fixture ambient operating temperature range is **15° to 113°F. (-15° to 45°C)**
Do not use the fixture under or above this temperature.

Fixture(s) should be installed in areas outside walking paths, seating areas, or away from areas where unauthorized personnel might reach the fixture by hand.

NEVER stand directly below the fixture(s) when rigging, removing or servicing.
Overhead fixture installation must always be secured with a secondary safety attachment, such as an appropriately rated safety cable that can hold 10 times the weight of the fixture.

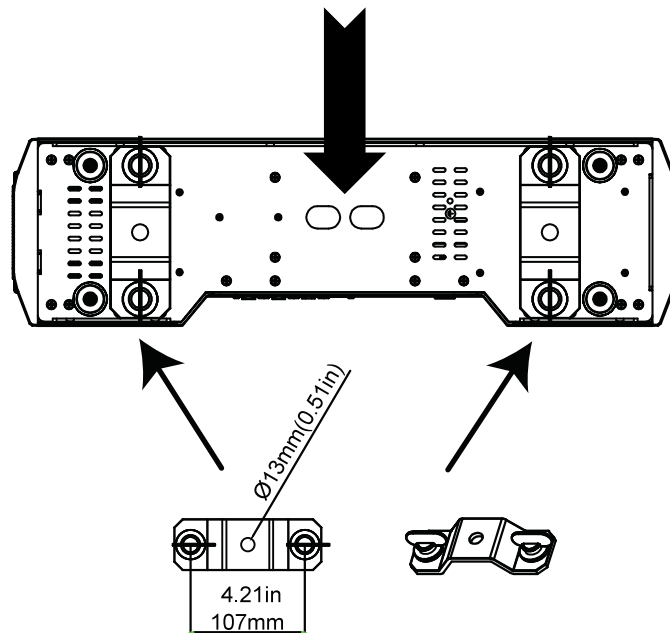
Allow approximately 15 minutes for the fixture to cool down before serving.

INSTALLATION INSTRUCTIONS

CLAMP MOUNTING

The fixture can be placed on the flat surface or truss mounted. When mounting this fixture to truss be sure to secure (2) appropriately rated clamps (not included) to the **(2) Omega Brackets (included)** Be sure to attach the **Safety Cable (included)** to the fixture using the safety cable rigging points integrated into the bottom of the fixture. (See image below)

SAFETY CABLE RIGGING POINT



SAFETY CABLE

The fixture includes an integrated safety cable rigging point. (see image below)

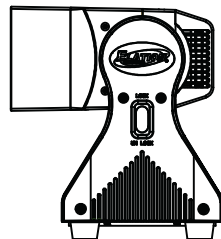
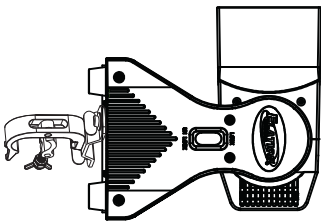
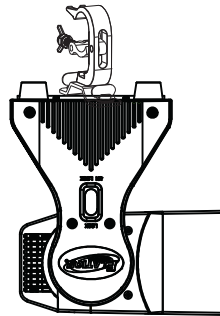


ALWAYS ATTACH A SAFETY CABLE WHEN INSTALLING FIXTURE IN A SUSPENDED ENVIRONMENT TO ENSURE THE FIXTURE WILL NOT DROP IF THE CLAMP FAILS.

INSTALLATION INSTRUCTIONS

OVERHEAD RIGGING

Overhead rigging requires extensive experience, including amongst others calculating working load limits, installation material being used, and periodic safety inspection of all installation material and the fixture. If you lack these qualifications, do not attempt the installation yourself. Improper installation can result in bodily injury and property damage. Fixture is fully operational in the specific mounting positions illustrated below.



POWER LINKING



USE CAUTION WHEN POWER LINKING OTHER MODEL FIXTURES AS THE POWER CONSUMPTION OF OTHER MODEL FIXTURES MAY EXCEED THE MAX POWER OUTPUT ON THIS FIXTURE. CHECK SILK SCREEN FOR AMX AMPS.

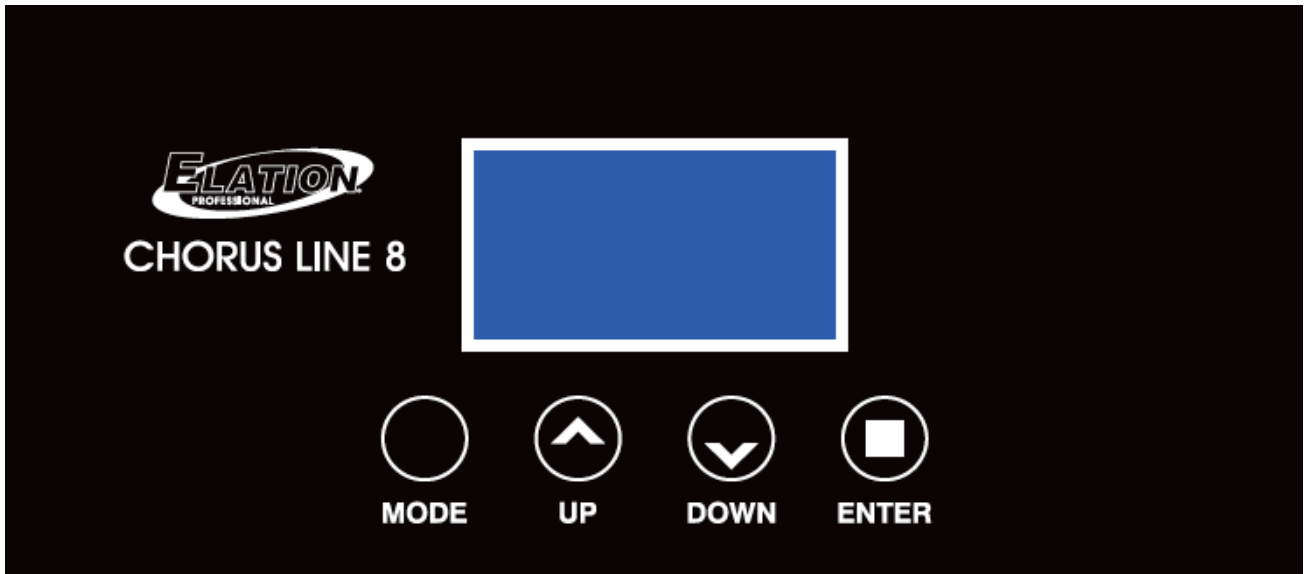
KLING-NET / ART-NET CONNECTION

When connecting fixture to a network switch to control multiple devices, a **Gigabit Ethernet Switch** that supports **IGMP (Internet Group Management Protocol)** is required. Using a **Gigabit Ethernet Switch** that does not support **IGMP** can cause erratic behavior of all connected devices to the switch. Click link below for more information about IGMP.

https://en.wikipedia.org/wiki/Internet_Group_Management_Protocol

SYSTEM MENU

The fixture comes with an easy to navigate system menu. The control panel (see image below) located on the back of the fixture provides access to the main system menu and is where all necessary system adjustments are made to the fixture. During normal operation, pressing **MODE** button once will access the fixture's main menu. Once in the main menu you can navigate through the different functions and access the sub-menus with the **UP** and **DOWN** buttons. Once you reach a field that requires adjusting, press the **ENTER** button to activate that field and use the **UP** and **DOWN** buttons to adjust the field. Pressing the **ENTER** button once more will confirm your setting. You may exit the main menu at any time without making any adjustments by pressing the **MODE/ESC** button.



LCD CONTROL PANEL LOCKOUT

When the **Key Lock** menu is set to **ON**, the LCD display will turn OFF after 30 seconds and the (4) button Control Panel will be LOCKED. To unlock the (4) button LCD control panel, press and hold the **MODE** button.

INFORMATION DISPLAYED DURING INITIAL POWER ON

When the fixture is initially powered ON, the display shows the following information:



SYSTEM MENU

Supports Software Version: \geq V1.12

Features are subject to change without any prior written notice.

MAIN MENU	SUB MENU	OPTIONS / VALUES (Default Settings in BOLD)		DESCRIPTION	
Address	Set DMX Address	001 ~ XXX		DMX Address Setting	
UserMode	Standard	18CH (16bit)		Set DMX Channel Mode	
	Basic	16CH (8bit)			
	Extend	46CH			
Function	Status	Lost DMX	Close/ Hold /Auto. Pro	Function If NO DMX Detected	
		Tilt. Inv	ON / OFF	Tilt Reverse Movement	
		Feedback	ON /OFF	Movement Feedback	
		Move. Spd	Speed 1 ~ 4	Movement Mode Select	
		Hibernat	OFF, 01M~99M, 15M	Hibernate Mode	
	Fan. Set*	Head Fan	Auto , High, Silent*	Fan Speed Set	
	Net ID	Password	Password=xxx		Password= 050
		DeviceIP	xxx.xxx.xxx.xxx		
		Mark Addr	xxx.xxx.xxx.xxx		
		Universe	000-255		
	Protocol	ArtNet , SACN		Set Network Protocol	
	KlingNet	Enable / Disable		Enable KlingNet Protocol	
	Net	ON / OFF		Activate NET OUT Port.	
	LCD. Set	Backlight	02~60m 05m	LCD Backlight Shut Off Time	
		FlipDisplay	ON / OFF	Flip/Reverse LCD Display 180°	
		Key Lock	ON / OFF	Control Front Panel Buttons Key Lock	
		Flash	ON / OFF	Display flashes when NO DMX	
	Temp. C/F	Fahrenheit /Celsius		Temperature Switch Between F° / C°	
	Disp. Set	ADDR	TILT...		Value of each Channel Displayed
		Disp. CH			
		Secondary	Secondary 1 , Secondary 2, Secondary 3		Set Secondary Mode Preset
		Auto.Pro	Alone , Primary		Set Auto Program Mode
	DimCurve	Standard , Stage, TV, Architectural, Theatre, Stage2, 0-10s (Default 0.1s)		Set Dimmer Curve Mode	
	Frequen	900/1000/1100/ 1200 /1300/1400/1500/2500/ 4000/5000/10k/15k/20k/25k			
	Pixel	Standard , Flip		Set Pixel Flip Mode	
	DFSE	ON / OFF		Restore Factory Settings	
	Information	Time. Info	Current	XXXX (Hours)	Fixture Run Time From Power ON
Total			XXXX (Hours)	Fixture Total Run Time	
Last			XXXX (Hours)	Clear Fixture Last Run Time	
Password			Password=050	Password to clear last fixture run time	
Clear/Clear-TO		Password=060	Password to clear total run time		
		ON / OFF	Reset Fixture Last Run Time		
TemplInfo		LED Temp.	XXX F° / C°	Temperature in Fixture Head	
Err. Info		Tilt.....		Display 10 Recent Error Messages	
ModellInfo	Chorus Line 8		Display Model Name		
Software Version	1U01 – 5U01	\geq V1.12	Software Versions		
Test	Reset. M	All			
	Test. Ch	Tilt ...			
	ManCtrl	Tilt=XXXX :			
	Calibrat	Password Tilt, Red1, Green1, Blue1, White1...Red8, Green8, Blue8, White8, Zoom1, Zoom2		Password= 050	

*FAN SET -> SILENT: In this mode, the power output drops from 330W to 160w, and slows both the zoom and tilt-speed.

DMX CHANNEL FUNCTIONS AND VALUES

Supports Software Versions: \geq V1.12

Features are subject to change without any prior written notice.

*Direction of effects and Pixel Control depends on orientation of the fixture head and Tilt/Pixel Flip settings.

MODE / CHANNEL			VALUE	FUNCTION	DEFAULT	SNAP
BASIC CH: 16	STANDARD CH: 18	EXTEND CH: 46				
1	1	1		TILT Movement 8bit		
			0-255	TILT Movement		
	2	2		Tilt Fine 16bit		
			0-255	Fine Control of TILT Movement		
2	3	3		Red		
			0-255	0 → 100%		
3	4	4		Green		
			0-255	0 → 100%		
4	5	5		Blue		
			0-255	0 → 100%		
5	6	6		ALL AMBR		
			0-255	0 → 100%		
		7		Red 2		
			0-255	0 → 100%		
		8		Green 2		
			0-255	0 → 100%		
		9		Blue 2		
			0-255	0 → 100%		
		10		White 2		
			0-255	0 → 100%		
		11		Red 3		
			0-255	0 → 100%		
		12		Green 3		
			0-255	0 → 100%		
		13		Blue 3		
			0-255	0 → 100%		
		14		White 3		
			0-255	0 → 100%		
		15		Red 4		
			0-255	0 → 100%		
		16		Green 4		
			0-255	0 → 100%		
		17		Blue 4		
			0-255	0 → 100%		
		18		White 4		
			0-255	0 → 100%		

Supports Software Versions: ≥ V1.12

Features are subject to change without any prior written notice.

*Direction of effects and Pixel Control depends on orientation of the fixture head and Tilt/Pixel Flip settings.

MODE / CHANNEL			VALUE	FUNCTION	DEFAULT	SNAP
BASIC CH: 16	STANDARD CH: 18	EXTEND CH: 46				
		19		Red 5		
			0-255	0 → 100%		
		20		Green 5		
			0-255	0 → 100%		
		21		Blue 5		
			0-255	0 → 100%		
		22		White 5		
			0-255	0 → 100%		
		23		Red 6		
			0-255	0 → 100%		
		24		Green 6		
			0-255	0 → 100%		
		25		Blue 6		
			0-255	0 → 100%		
		26		White 6		
			0-255	0 → 100%		
		27		Red 7		
			0-255	0 → 100%		
		28		Green 7		
			0-255	0 → 100%		
		29		Blue 7		
			0-255	0 → 100%		
		30		White 7		
			0-255	0 → 100%		
		31		Red 8		
			0-255	0 → 100%		
		32		Green 8		
			0-255	0 → 100%		
		33		Blue 8		
			0-255	0 → 100%		
		34		Blue 8		
			0-255	0 → 100%		
		35		CTO		
	7		0-23	Open		
			24-255	CTO 2700K – 7000K		
6	8	36		Color Macros		
			0-255	See Macro Chart		

Supports Software Versions: ≥ V1.12

Features are subject to change without any prior written notice.

*Direction of effects and Pixel Control depends on orientation of the fixture head and Tilt/Pixel Flip settings.

MODE / CHANNEL			VALUE	FUNCTION	DEFAULT	SNAP
BASIC CH: 16	STANDARD CH: 18	EXTEND CH: 46				
7	9	37		Strobe		
			0-31	Closed		
			32-63	Open		
			64-95	Strobe (slow → fast)		
			96-127	Open		
			128-159	Pulse (slow → fast)		
			160-191	Open		
			192-223	Random (slow → fast)		
			224-255	Open		
8	10	38		Master Intensity		
			0-255	Close → Open		
9	11	39		Master Intensity Fine		
			0-255	Close → Open		
10	12	40		Zoom		
			0-255	Zoom Min to Max		
11	13	41		Auto Programs		
			0	Idle		
			1-14	Off		
			15-30	Program 1		
			31-46	Program 2		
			47-62	Program 3		
			63-78	Program 4		
			79-94	Program 5		
			95-110	Program 6		
			111-126	Program 7		
			127-142	Program 8		
			143-158	Program 9		
			159-174	Program 10		
			175-190	Program 11		
			191-206	Program 12		
			207-222	Program 13		
223-238	Program 14					
293-255	Program 15					
12	14	42		Program Speed		
			0-255	Speed (slow → fast)	128	
13	15	43		Program Fade		
			0-255	Face (slow → fast)	128	

Supports Software Versions: ≥ V1.12

Features are subject to change without any prior written notice.

*Direction of effects and Pixel Control depends on orientation of the fixture head and Tilt/Pixel Flip settings.

MODE / CHANNEL			VALUE	FUNCTION	DEFAULT	SNAP
BASIC CH: 16	STANDARD CH: 18	EXTEND CH: 46				
14	16	44		Dim Modes	0	X
			0 - 20	Standard		
			21 - 40	Stage		
			41 - 60	TV		
			61 - 80	Archictural		
			81 - 100	Theatre		
			101 - 120	Stage 2		
				Dimmer Delay Time		
			121	0s		
			122	0.1s (default)		
			123	0.2s		
			124	0.3s		
			125	0.4s		
			126	0.5s		
			127	0.6s		
			128	0.7s		
			129	0.8s		
			130	0.9s		
			131	1.0s		
			132	1.5s		
			133	2.0s		
			134	3.0s		
			135	4.0s		
			136	5.0s		
			137	6.0s		
			138	7.0s		
			139	8.0s		
			140	9.0s		
			141	10s		
			142 - 255	Default		
0 - 20	Standard					
21 - 40	Stage					
	Pan / Tilt Speed	27				
0-225	Max to min speed					
226-235	Blackout by movement					
236-255	No function					

Supports Software Versions: ≥ V1.12

Features are subject to change without any prior written notice.

*Direction of effects and Pixel Control depends on orientation of the fixture head and Tilt/Pixel Flip settings.

MODE / CHANNEL			VALUE	FUNCTION	DEFAULT	SNAP
BASIC CH: 16	STANDARD CH: 18	EXTEND CH: 46				
16	18	46		Control	0	X
			0 -5	Idle		
			6-10	Reset		
			11-15	Fan Mode Auto		
			16-20	Fan Mode High		
			21-25	Fan Mode Silent		
			25-29	Program 1		
			30-34	Program 2		
			35-39	Program 3		
			40-44	Program 4		
			45-49	Program 5		
			50-54	Program 6		
			55-59	Program 7		
			60-64	Program 8		
			65-69	Program 9		
			70-74	Program 10		
			75-79	Program 11		
			80-100	Program 12		
				Change Refresh Rate (Hz)		
			101 - 105	900		
			106 - 110	1000		
			111 - 115	1100		
			116 - 120	1200		
			121 - 125	1300		
			126 - 130	1400		
			131 - 135	1500		
			136 - 140	2500		
			141 - 145	4000		
			146 - 150	5000		
			151 - 155	10000		
			156 - 160	15000		
			161 - 165	20000		
			166 - 170	25000		
			171-200	Idle		
	Dimmer Curves					
201-210	Dimmer Curve Linear (default)					
211-220	Dimmer Curve Square					
221-230	Dimmer Curve Inverse Square					
231-240	Dimmer Curve S-Curve					
241-255	Idle					
0 -5	Idle					

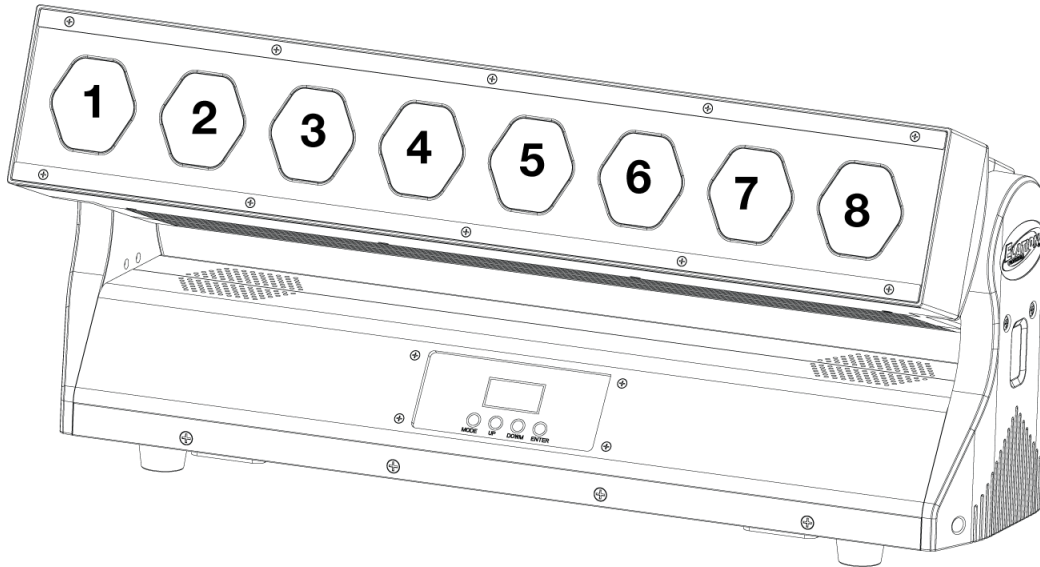
COLOR MACRO CHART

VALUES 1-4		DMX VALUES 53-56		DMX VALUES 105-108		DMX VALUES 157-160		DMX VALUES 209-212	
Red=	80	Red=	255	Red=	255	Red=	234	Red=	0
Green=	255	Green=	93	Green=	138	Green=	139	Green=	83
Blue=	234	Blue=	182	Blue=	186	Blue=	171	Blue=	115
W=	80	W=	93	W=	138	W=	0	W=	0
DMX VALUES 5-8		DMX VALUES 57-60		DMX VALUES 109-112		DMX VALUES 161-164		DMX VALUES 213-216	
Red=	80	Red=	255	Red=	255	Red=	224	Red=	0
Green=	255	Green=	96	Green=	147	Green=	5	Green=	97
Blue=	164	Blue=	236	Blue=	251	Blue=	97	Blue=	166
W=	80	W=	96	W=	147	W=	0	W=	0
DMX VALUES 9-12		DMX VALUES 61-64		DMX VALUES 113-116		DMX VALUES 165-168		DMX VALUES 217-220	
Red=	77	Red=	238	Red=	151	Red=	175	Red=	1
Green=	255	Green=	93	Green=	138	Green=	77	Green=	100
Blue=	112	Blue=	255	Blue=	255	Blue=	173	Blue=	167
W=	77	W=	93	W=	138	W=	0	W=	0
DMX VALUES 13-16		DMX VALUES 65-68		DMX VALUES 117-120		DMX VALUES 169-172		DMX VALUES 221-224	
Red=	117	Red=	196	Red=	151	Red=	119	Red=	0
Green=	255	Green=	87	Green=	138	Green=	130	Green=	40
Blue=	83	Blue=	255	Blue=	255	Blue=	199	Blue=	86
W=	83	W=	87	W=	138	W=	0	W=	0
DMX VALUES 17-20		DMX VALUES 69-72		DMX VALUES 121-124		DMX VALUES 173-176		DMX VALUES 225-228	
Red=	160	Red=	150	Red=	138	Red=	147	Red=	209
Green=	255	Green=	90	Green=	169	Green=	164	Green=	219
Blue=	77	Blue=	255	Blue=	255	Blue=	212	Blue=	182
W=	77	W=	90	W=	138	W=	0	W=	0
DMX VALUES 21-24		DMX VALUES 73-76		DMX VALUES 125-128		DMX VALUES 177-180		DMX VALUES 229-232	
Red=	223	Red=	100	Red=	255	Red=	88	Red=	42
Green=	255	Green=	77	Green=	255	Green=	2	Green=	165
Blue=	83	Blue=	255	Blue=	255	Blue=	163	Blue=	85
W=	83	W=	77	W=	255	W=	0	W=	0
DMX VALUES 25-28		DMX VALUES 77-80		DMX VALUES 129-132		DMX VALUES 181-184		DMX VALUES 233-236	
Red=	255	Red=	77	Red=	255	Red=	0	Red=	0
Green=	243	Green=	100	Green=	206	Green=	38	Green=	46
Blue=	77	Blue=	255	Blue=	143	Blue=	86	Blue=	35
W=	77	W=	77	W=	0	W=	0	W=	0
DMX VALUES 29-32		DMX VALUES 81-84		DMX VALUES 133-136		DMX VALUES 185-188		DMX VALUES 237-240	
Red=	255	Red=	67	Red=	254	Red=	0	Red=	8
Green=	200	Green=	148	Green=	177	Green=	142	Green=	107
Blue=	74	Blue=	255	Blue=	153	Blue=	208	Blue=	222
W=	74	W=	67	W=	0	W=	0	W=	0
DMX VALUES 33-36		DMX VALUES 85-88		DMX VALUES 137-140		DMX VALUES 189-192		DMX VALUES 241-244	
Red=	255	Red=	77	Red=	254	Red=	52	Red=	107
Green=	166	Green=	195	Green=	192	Green=	148	Green=	156
Blue=	77	Blue=	255	Blue=	138	Blue=	209	Blue=	231
W=	77	W=	77	W=	0	W=	0	W=	0
DMX VALUES 37-40		DMX VALUES 89-92		DMX VALUES 141-144		DMX VALUES 193-196		DMX VALUES 245-248	
Red=	255	Red=	77	Red=	254	Red=	1	Red=	165
Green=	125	Green=	234	Green=	165	Green=	134	Green=	198
Blue=	74	Blue=	255	Blue=	98	Blue=	201	Blue=	247
W=	74	W=	77	W=	0	W=	0	W=	0
DMX VALUES 41-44		DMX VALUES 93-96		DMX VALUES 145-148		DMX VALUES 197-200		DMX VALUES 249-252	
Red=	255	Red=	158	Red=	254	Red=	0	Red=	0
Green=	97	Green=	255	Green=	121	Green=	145	Green=	0
Blue=	77	Blue=	144	Blue=	0	Blue=	212	Blue=	255
W=	74	W=	144	W=	0	W=	0	W=	0
DMX VALUES 45-48		DMX VALUES 97-100		DMX VALUES 149-152		DMX VALUES 201-204		DMX VALUES 253-255	
Red=	255	Red=	255	Red=	176	Red=	255	Red=	0
Green=	71	Green=	251	Green=	17	Green=	0	Green=	0
Blue=	77	Blue=	153	Blue=	0	Blue=	0	Blue=	0
W=	71	W=	153	W=	0	W=	0	W=	255
DMX VALUES 49-52		DMX VALUES 101-104		DMX VALUES 153-156		DMX VALUES 205-208			
Red=	255	Red=	255	Red=	96	Red=	0		
Green=	83	Green=	175	Green=	0	Green=	255		
Blue=	134	Blue=	147	Blue=	11	Blue=	0		
W=	83	W=	147	W=	0	W=	0		

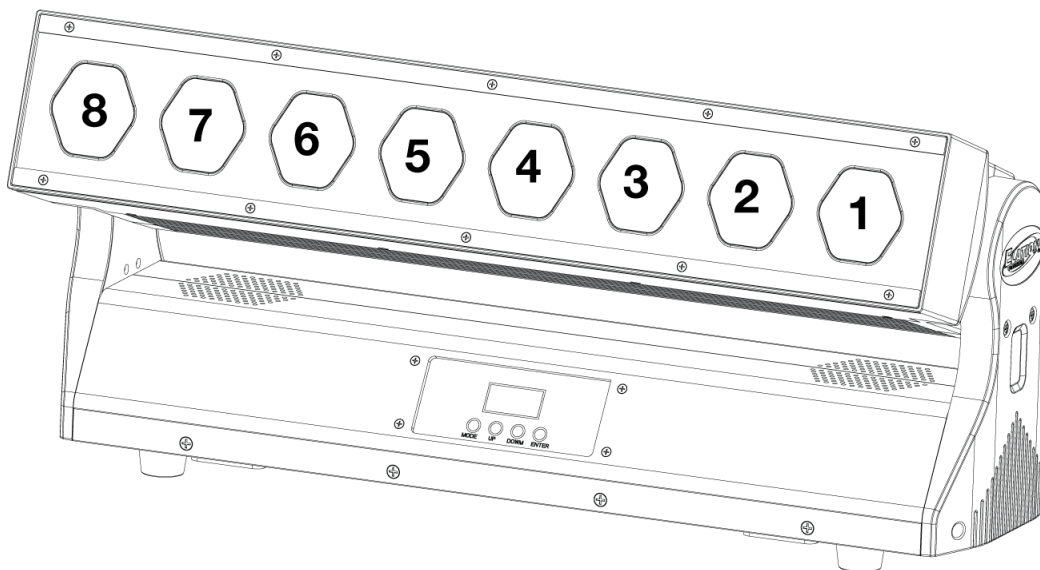
PIXEL CONTROL

The fixture features pixel control in Extended DMX channel mode.
See diagram below, which illustrates the specific pixel mapping order.

STANDARD



FLIP



TECHNICAL SPECIFICATIONS

SOURCE

(8) 40W 4-in-1 RGBW LEDs
50,000 Hour Average LED Life*

*May vary depending on several factors including but not limited to:
Environmental Conditions, Power/Voltage, Usage Patterns (On-Off Cycling), Control, and Dimming.

PHOTOMETRIC DATA

3,000+ Total Lumens
8,702 LUX 809 FC @16.4 ft (5m) (Full ON (4° Min Zoom))
318 LUX 21 FC @16.4 ft (5m) (Full ON (37° Max Zoom))
Zoom Range 4° - 40°
Beam Angle 4.6° - 37.8°
Field Angle 7.8° - 54.4°

EFFECTS

Motorized Zoom and 220° Tilt Movement
RGBW Color Mixing and Full Pixel Control
2,700K - 7,000K Linear Color Temperature
64 Color Presets and 14 Unique Color Macros
Electronic Strobe, 16-bit Variable Dimming Curve Modes

COLOR

RGBW

CONTROL / CONNECTIONS

3 DMX Channel Modes (46 total channels)
DMX, RDM, Kling-Net, and Art-Net Protocol Support
Adjustable LED Refresh Rate (900-25,000 Hz)
Adjustable LED Gamma Brightness (2.0, 2.2, 2.4, 2.8)
4 Button Touch Control Panel
180° Reversible LCD Menu Display
8 / 16-Bit Resolution Zoom and Tilt Movement
5pin DMX In/Out
RJ45 Ethernet In/Out
Locking Power Cable Power In/Out
With Wired Digital Communication Network

SIZE / WEIGHT

Length: 21.28" (540.5mm)
Width: 7.44" (189mm)
Vertical Height: 11.46" (291mm)
Weight: 25.0 lbs (11.3 kg)

ELECTRICAL / THERMAL

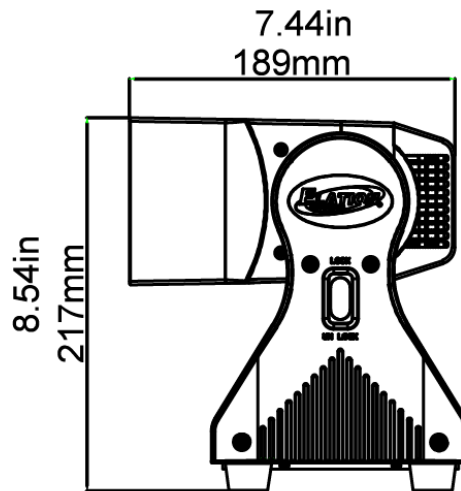
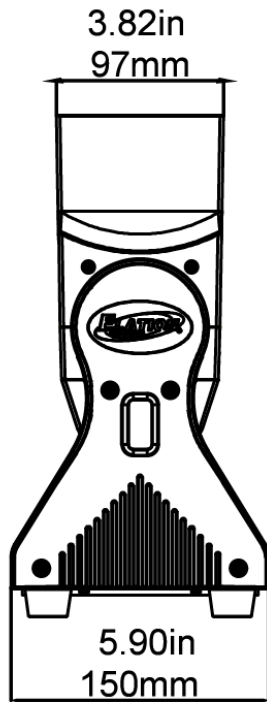
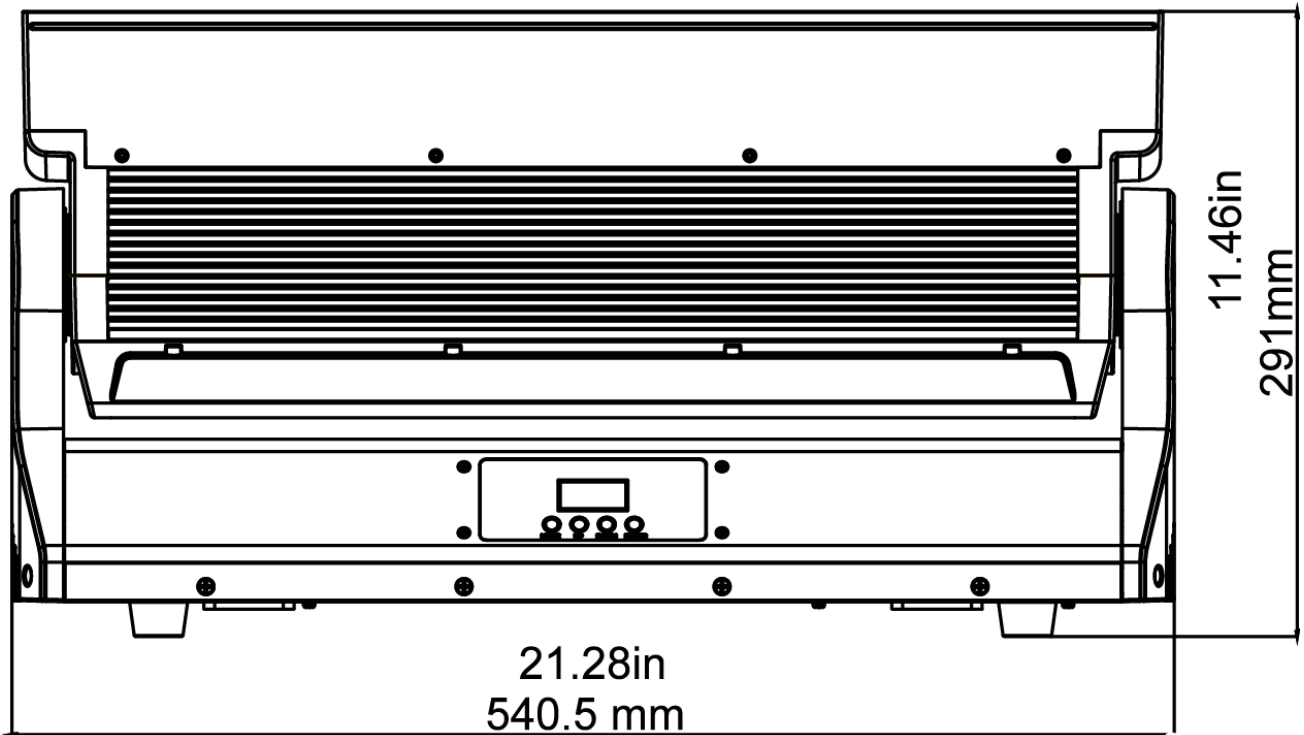
AC 100-240V - 50/60Hz
359W Max Power Consumption
5°F to 113°F (-15°C to 45°C)
BTU/hr (+/- 10%) 1224.2

APPROVALS / RATINGS



Specifications and improvements in the design of this unit and this manual are subject to change without any prior written notice.

DIMENSIONAL DRAWINGS



Please Note: Specifications and improvements in the design of this unit and this manual are subject to change without any prior written notice.

OPTIONAL ACCESSORIES

ORDER CODE	ITEM
DRCCL8	6-Pack Road Case for Chorus Line 8
NARROW CLAMP	Heavy Duty Wrap Around Hook Style Clamp
AC5PDMX5PRO	5 ft. (1.5m) 5pin PRO DMX Cable
PLC3	3 ft. (1m) PRO Link Cable
	Additional Cable Lengths Available

FCC STATEMENT

This device complies with Part 15 of the FCC Rules. Operation is subject to the following two conditions: (1) this device may not cause harmful interference, and (2) this device must accept any interference received, including interference that may cause undesired operation.

FCC RADIO FREQUENCY INTERFERENCE WARNINGS & INSTRUCTIONS

This product has been tested and found to comply with the limits as per Part 15 of the FCC Rules. These limits are designed to provide reasonable protection against harmful interference in a residential installation. This device uses and can radiate radio frequency energy and, if not installed and used in accordance with the included instructions, may cause harmful interference to radio communications. However, there is no guarantee that interference will not occur in a particular installation. If this device does cause harmful interference to radio or television reception, which can be determined by turning the device off and on, the user is encouraged to try to correct the interference by one or more of the following methods:

- Reorient or relocate the device.
- Increase the separation between the device and the receiver.
- Connect the device to an electrical outlet on a circuit different from which the radio receiver is connected.
- Consult the dealer or an experienced radio/TV technician for help.

Europe Energy Saving Notice

Energy Saving Matters (EuP 2009/125/EC)

Saving electric energy is a key to help protecting the environment. Please turn off all electrical products when they are not in use. To avoid power consumption in idle mode, disconnect all electrical equipment from power when not in use. Thank you



