



VIZI Q WASH7



User Instructions



©2017 ADJ Products, LLC all rights reserved. Information, specifications, diagrams, images, and instructions herein are subject to change without notice. ADJ Products, LLC logo and identifying product names and numbers herein are trademarks of ADJ Products, LLC. Copyright protection claimed includes all forms and matters of copyrightable materials and information now allowed by statutory or judicial law or hereinafter granted. Product names used in this document may be trademarks or registered trademarks of their respective companies and are hereby acknowledged. All non-ADJ Products, LLC brands and product names are trademarks or registered trademarks of their respective companies.

ADJ Products, LLC and all affiliated companies hereby disclaim any and all liabilities for property, equipment, building, and electrical damages, injuries to any persons, and direct or indirect economic loss associated with the use or reliance of any information contained within this document, and/or as a result of the improper, unsafe, insufficient and negligent assembly, installation, rigging, and operation of this product.

Europe Energy Saving Notice
Energy Saving Matters (EuP 2009/125/EC)
Saving electric energy is a key to help protecting the environment. Please turn off all electrical products when they are not in use. To avoid power consumption in idle mode, disconnect all electrical equipment from power when not in use. Thank you!

Table of Contents

Unpacking.....	3
Introduction.....	3
Customer Support.....	3
Safety Precautions.....	4
Features.....	5
Handling Precautions.....	5
Registration.....	5
Mounting.....	7
DMX Set-Up.....	9-11
DMX Control.....	12
DMX Traits.....	13-21
Color Macro Chart.....	22
System Menu.....	23
Operation.....	40
Photometric Chart.....	42-43
Dimmer Curve Chart.....	44
Fuse Replacement.....	44
Cleaning.....	45
Trouble Shooting.....	45
Warranty.....	46
Specifications.....	47

Vizi Q Wash7

General Information

Unpacking: Thank you for purchasing the Vizi Q Wash7 by ADJ Products, LLC. Every Vizi Q Wash7 has been thoroughly tested and has been shipped in perfect operating condition. Carefully check the shipping carton for damage that may have occurred during shipping. If the carton appears to be damaged, carefully inspect your fixture for any damage and be sure all equipment necessary to operate the unit has arrived intact. In the event damage has been found or parts are missing, please contact our toll free customer support number for further instructions. Please do not return this unit to your dealer without contacting customer support first.

Introduction: The Vizi Q Wash7 is a DMX intelligent, moving head, wash fixture. The Vizi Q Wash7 has 3 DMX channel modes; 17 channels, 19 channels, or 23 channels. The fixture has two different operating modes; auto program or DMX control. The Vizi Q Wash7 can be used as a stand alone unit or in a master/slave configuration. *For best results use fog or special effects smoke to enhance the beams projections.*

Customer Support: ADJ Products, LLC provides a toll free customer support line, to provide help and to answer any question should you encounter problems during your set up or initial operation. You may also visit us on the web at www.adj.com for any comments or suggestions. Service Hours are Monday through Friday 8:00 a.m. to 4:30 p.m. Pacific Standard Time.

Voice: (800) 322-6337
 Fax: (323) 582-2610
 E-mail: support@americandj.com

Warning! To prevent or reduce the risk of electrical shock or fire, do not expose this unit to rain or moisture.

Warning! *This may cause severe eye damage. Avoid looking directly into the light source at all times!*

Vizi Q Wash7

Safety Precautions

For Your Own Personal Safety, Please Read and Understand This Manual Completely Before You Attempt To Install Or Operate This Unit!

- To reduce the risk of electrical shock or fire, do not expose this unit rain or moisture
- Do not spill water or other liquids into or on to your unit.
- Be sure that the local power outlet match that of the required voltage for your unit.
- Do not attempt to operate this unit if the power cord has been frayed or broken.
- Do not attempt to remove or break off the ground prong from the electrical cord. This prong is used to reduce the risk of electrical shock and fire in case of an internal short.
- Disconnect from main power before making any type of connection.
- Do not remove the cover under any conditions. There are no user serviceable parts inside.
- Never operate this unit when it's cover is removed.
- Always be sure to mount this unit in an area that will allow proper ventilation. Allow about 6" (15cm) between this device and a wall.
- Do not attempt to operate this unit, if it becomes damaged.
- This unit is intended for indoor use only, use of this product outdoors voids all warranties.
- Always mount this unit in safe and stable matter.
- Power-supply cords should be routed so that they are not likely to be walked on or pinched by items placed upon or against them, paying particular attention to cords at plugs, convenience receptacles, and the point where they exit from the appliance.
- Cleaning -The fixture should be cleaned only as recommended by the manufacturer. See page 45 for cleaning details.
- Heat -This fixture should be situated away from heat sources such as radiators, heat registers, stoves, or other appliances (including amplifiers) that produce heat.
- The fixture should be serviced by qualified service personnel when:
 - A. Objects have fallen, or liquid has been spilled into the appliance.
 - B. The appliance has been exposed to rain or water.
 - C. The appliance does not appear to operate normally or exhibits a marked change in performance.

Vizi Q Wash7

Features

- DMX-512 Protocol Compatible (3 DMX Modes: 17 DMX Channel Mode, 19 DMX Channel Mode, and 23 DMX Channel Mode)
- Pan & Tilt Invert
- PowerCON Inputs & Outputs
- 3-Pin & 5-Pin XLR Inputs & Outputs
- Color Macros + Individual RGBW Control
- 2 Operating Modes - Auto Program & DMX Control
- Built-In ADJ's WiFly EXR Wireless DMX Up to 2,500 feet/760M
- Stand Alone Setup or Master-Slave Configuration
- Edit and Save Scenes into the Memory

Vizi Q Wash7

Handling Precautions

Caution! There are no user serviceable parts inside this unit. Do not attempt any repairs yourself, doing so will void your manufactures warranty. In the unlikely event your unit may require service please contact ADJ Products, LLC.

During operation the housing may become extremely hot. Avoid touching the unit with bare hands while in use.

ADJ Products, LLC will not accept any liability for any resulting damages caused by the non-observance of this manual or any unauthorized modification to this unit.

Vizi Q Wash7

Product Registration

The Vizi Q Wash7 carries a two year limited warranty. Please fill out the enclosed warranty card to validate your purchase. All returned service items whether under warranty or not, must be freight pre-paid and accompany a return authorization (R.A.) number. The R.A. number must be clearly written on the outside of the return package. A brief description of the problem as well as the R.A. number must also be written down on a piece of paper and included in the shipping carton. If the unit is under warranty, you must provide a copy of your proof of purchase invoice. You may obtain a R.A. number by contacting our customer support team on our toll free customer support number. All packages returned to the service department not displaying a R.A. number on the outside of the package will be returned to the shipper at the shippers cost.

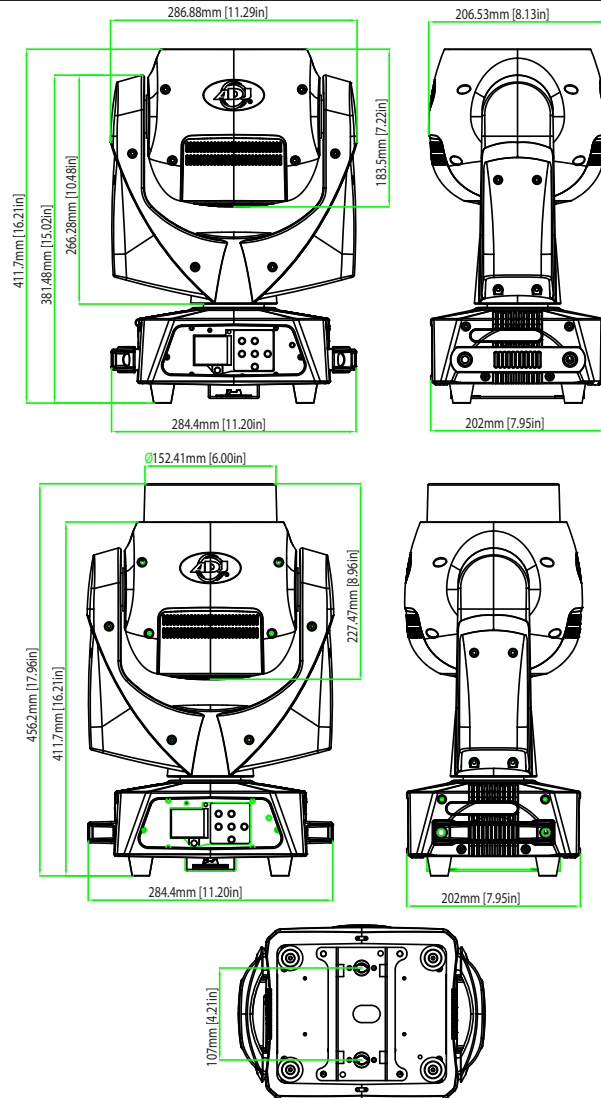
Vizi Q Wash7

General Instructions

To optimize the performance of this product, please read these operating instructions carefully to familiarize yourself with the basic operations of this unit. These instructions contain important safety information regarding the use and maintenance of this unit. Please keep this manual with the unit, for future reference.

Vizi Q Wash7

CAD Drawing



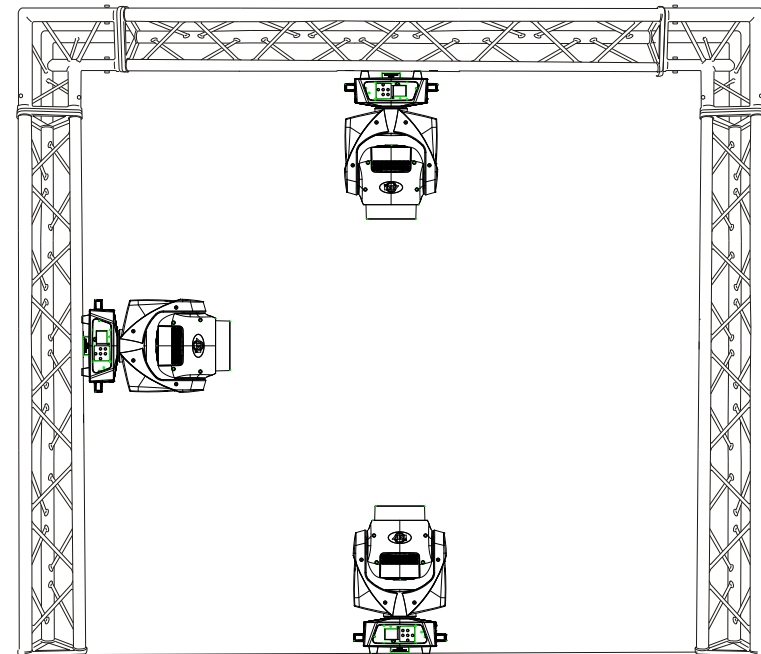
Vizi Q Wash7

Truss Mounting

When installing the unit, the trussing or area of installation must be able to hold 10 times the weight without any deformation. When installing the unit must be secured with a secondary safety attachment, e.g. and appropriate safety cable. Never stand directly below the unit when mounting, removing, or servicing the unit.

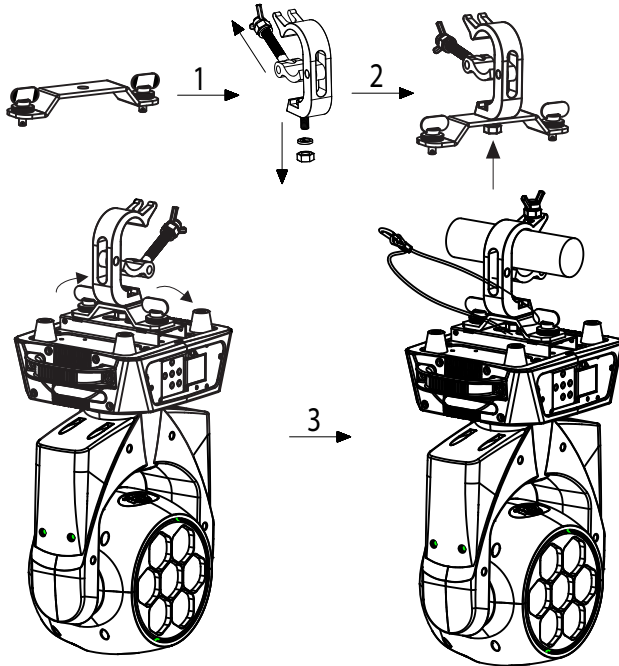
Overhead mounting requires extensive experience, including calculating working load limits, installation material being used, and periodic safety inspection of all installation material and unit. If you lack these qualifications, do not attempt the installation yourself.

These installation should be checked by a skilled person once a year.



The Vizi Q Wash7 is fully operational in three different mounting positions; hanging upside-down from a ceiling, mounted sideways on trussing, or set on a flat level surface. Be sure this fixture is kept at least 0.5m away from any flammable materials (decoration etc.). Always use and install the supplied safety cable as a safety measure to prevent accidental damage and/or injury in the event the clamp fails (see next page). Never use the carrying handles for secondary attachment.

NOTICE: The suitable environmental temperature for this lighting fixture is between -25°C to 45°C . Do not place this lighting fixture in an environment where the temperatures are under or above the temperatures stated above. This will allow the fixture to run at its best and help prolong the fixture life.



Screw one clamp each via a M12 screw and nut onto the Omega holders. Insert the quick-lock fasteners of the Omega holders into the respective holes on the bottom of the Vizi Q Wash7. Tighten the quick-lock fasteners fully clockwise. Install the second Omega holder. Pull the safety-cable through the holes on the bottom of the base and over the trussing system or a safe fixation spot. Insert the end in the carabine and tighten the safety screw.

Power Supply: The ADJ Vizi Q Wash7 contains a electronic voltage switch, which will auto sense the voltage when it is plugged into the power source. With the electronic ballast you do not need to worry about wall voltage, this unit can be plugged in anywhere.

DMX-512: DMX is short for Digital Multiplex. This is a universal protocol used by most lighting and controller manufactures as a form of communication between intelligent fixtures and controllers. A DMX controller sends DMX data instructions from the controller to the fixture. DMX data is sent as serial data that travels from fixture to fixture via the DATA "IN" and DATA "OUT" XLR terminals located on all DMX fixtures (most controllers only have a DATA "OUT" terminal).

DMX Linking: DMX is a language allowing all makes and models of different manufactures to be linked together and operate from a single controller, as long as all fixtures and the controller are DMX compliant. To ensure proper DMX data transmission, when using several DMX fixtures try to use the shortest cable path possible. The order in which fixtures are connected in a DMX line does not influence the DMX addressing. For example; a fixture assigned a DMX address of 1 may be placed anywhere in a DMX line, at the beginning, at the end, or anywhere in the middle. Therefore, the first fixture controlled by the controller could be the last fixture in the chain. When a fixture is assigned a DMX address of 1, the DMX controller knows to send DATA assigned to address 1 to that unit, no matter where it is located in the DMX chain.

Data Cable (DMX Cable) Requirements (For DMX and Master/Slave Operation):

The Vizi Q Wash7 can be controlled via DMX-512 protocol. The Vizi Q Wash7 can be either a 17, 19, or 23 channel DMX unit. The DMX address is set electronically using the controls on the front panel of the unit. Your unit and your DMX controller require a approved DMX-512 110 Ohm Data cable for data input and data output (Figure 1). We recommend Accu-Cable DMX cables. If you are making your own cables, be sure to use standard 110-120 Ohm shielded cable (This cable may be purchased at almost all professional sound and lighting stores). Your cables should be made with



Figure 1

a male and female XLR connector on either end of the cable. Also remember that DMX cable must be daisy chained and cannot be split.

Notice: Be sure to follow figures two and three when making your own cables. Do not use the ground lug on the XLR connector. Do not connect the cable’s shield conductor to the ground lug or allow the shield conductor to come in contact with the XLR’s outer casing. Grounding the shield could cause a short circuit and erratic behavior.

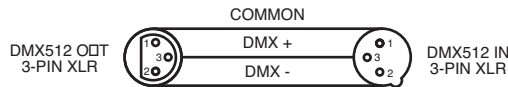


Figure 2

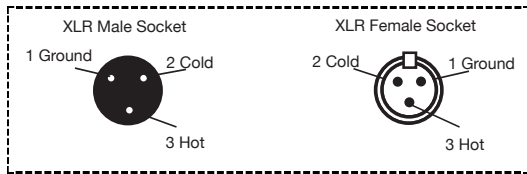


Figure 3

XLR Pin Configuration
Pin 1 = Ground
Pin 2 = Data Compliment (negative)
Pin 3 = Data True (positive)

Special Note: Line Termination. When longer runs of cable are used, you may need to use a terminator on the last unit to avoid erratic behavior. A terminator is a 110-120 ohm 1/4 watt resistor which is connected between pins 2 and 3 of a male XLR connector (DATA + and DATA -). This unit is inserted in the female XLR connector of the last unit in your daisy chain to terminate the line. Using a cable terminator (ADJ part number Z-DMX/T) will decrease the possibilities of erratic behavior.



Termination reduces signal errors and avoids signal transmission problems and interference. It is always advisable to connect a DMX terminal. (Resistance 120 Ohm 1/4 W) between PIN 2 (DMX-) and PIN 3 (DMX +) of the last fixture.

Figure 4

5-Pin XLR DMX Connectors. Some manufactures use 5-pin DMX-512 data cables for DATA transmission in place of 3-pin. 5-pin DMX fixtures may be implemented in a 3-pin DMX line. When inserting standard 5-pin data cables in to a 3-pin line a cable adaptor must be used, these adaptors are readily available at most electric stores. The chart below details a proper cable conversion.

3-Pin XLR to 5-Pin XLR Conversion		
Conductor	3-Pin XLR Female (Out)	5-Pin XLR Male (In)
Ground/Shield	Pin 1	Pin 1
Data Compliment (- signal)	Pin 2	Pin 2
Data True (+ signal)	Pin 3	Pin 3
Not Used		Pin 4 - Do Not Use
Not Used		Pin 5 - Do Not Use

Vizi Q Wash7**DMX Control**

Universal DMX Control: This function allows you to use a universal DMX-512 controller to control head movement, colors, master dimmer, shutter (strobe), and various other features. A DMX controller allows you to create unique programs tailored to your individual needs.

1. The Vizi Q Wash7 has 3 DMX channel modes; 17 Channel mode, 19 Channel mode, and 23 Channel mode. See pages 13-21 for detailed description of the DMX traits.
2. To control your fixture in DMX mode, follow the set-up procedures on pages 9-11 as well as the set-up specifications that are included with your DMX controller.
3. Use the controller's faders to control the various DMX fixture traits.
4. This will allow you to create your own programs.
5. Follow the directions on page 24 to select your DMX Channel mode, and to set the DMX address.
6. For longer cable runs (more than a 100 feet) use a terminator on the last fixture.
7. For help operating in DMX mode consult the manual included with your DMX controller.

Vizi Q Wash7**17 Channel DMX Mode (Basic)**

Channel	Value	Function
1	0 - 255	PAN MOVEMENT 8bit (540° or 630°)
2	0 - 255	TILT MOVEMENT 8bit
3	0 - 255	ALL RED LED 0% - 100%
4	0 - 255	ALL GREEN LED 0% - 100%
5	0 - 255	ALL BLUE LED 0% - 100%
6	0 - 255	ALL WHITE LED 0% - 100%
7	0 - 255	COLOR MACROS PLEASE SEE PAGE 22
8	0 - 31 32 - 63 64 - 95 96 - 127 128 - 159 160 - 191 192 - 223 224 - 255	SHUTTER/STROBE LED OFF LED ON STROBING SLOW - FAST LED ON STROBE PULSE SLOW - FAST LED ON RANDOM STROBE SLOW - FAST LED ON
9	0 - 255	MASTER DIMMER 0% - 100%
10	0 - 255	DIMMER FINE 0% - 100%
11	0 - 255	FOCUS NEAR - FAR

Vizi Q Wash7		17 Channel DMX Mode (Basic)
Channel	Value	Function
12	0	AUTO PROGRAMS OFF
	1 - 20	PROGRAM 1
	21 - 40	PROGRAM 2
	41 - 60	PROGRAM 3
	61 - 80	PROGRAM 4
	81 - 100	PROGRAM 5
	101 - 120	PROGRAM 6
	121 - 140	PROGRAM 7
	141 - 160	PROGRAM 8
	161 - 180	PROGRAM 9
	181 - 200	PROGRAM 10
	201 - 220	PROGRAM 11
	221 - 240	PROGRAM 12
	241 - 250	PROGRAM 13
	251 - 255	PROGRAM 14
13	0 - 255	PROGRAM SPEED SLOW - FAST
	0	AUTO PROGRAM FADE NORMAL
14	1 - 255	SLOW - FAST
	0 - 20	DIMMER MODE STANDARD
15	21 - 40	STAGE
	41 - 60	TV
	61 - 80	ARCHITECTURAL
	81 - 100	THEATRE
	101 - 255	DEFAULT DIMMER SETTING
	0 - 225	PAN/TILT SPEED FAST - SLOW
16	226 - 235	BLACKOUT BY MOVEMENT
	236 - 255	NO FUNCTION

Vizi Q Wash7		17 Channel DMX Mode (Basic)
Channel	Value	Function
17	0 - 79	AUTO PROGRAMS NORMAL
	80 - 84	ALL MOTOR RESET
	85 - 99	NO FUNCTION
	100 - 119	INTERNAL PROGRAM 1
	120 - 139	INTERNAL PROGRAM 2
	140 - 159	INTERNAL PROGRAM 3
	160 - 179	INTERNAL PROGRAM 4
	180 - 199	INTERNAL PROGRAM 5
	200 - 219	INTERNAL PROGRAM 6
	220 - 239	INTERNAL PROGRAM 7
	240 - 255	NO FUNCTION

Vizi Q Wash7		19 Channel DMX Mode (Standard)
Channel	Value	Function
1	0 - 255	PAN MOVEMENT 8bit (540° or 630°)
2	0 - 255	PAN MOVEMENT FINE 16bit
3	0 - 255	TILT MOVEMENT 8bit
4	0 - 255	TILT MOVEMENT FINE 16bit
5	0 - 255	ALL RED LED 0% - 100%
6	0 - 255	ALL GREEN LED 0% - 100%
7	0 - 255	ALL BLUE LED 0% - 100%
8	0 - 255	ALL WHITE LED 0% - 100%
9	0 - 255	COLOR MACROS PLEASE SEE PAGE 22
10	0 - 31 32 - 63 64 - 95 96 - 127 128 - 159 160 - 191 192 - 223 224 - 255	SHUTTER/STROBE LED OFF LED ON STROBING SLOW - FAST LED ON STROBE PULSE SLOW - FAST LED ON RANDOM STROBE SLOW - FAST LED ON
11	0 - 255	MASTER DIMMER 0% - 100%
12	0 - 255	DIMMER FINE 0% - 100%
13	0 - 255	FOCUS NEAR - FAR

Vizi Q Wash7		19 Channel DMX Mode (Standard)
Channel	Value	Function
14	0 1 - 20 21 - 40 41 - 60 61 - 80 81 - 100 101 - 120 121 - 140 141 - 160 161 - 180 181 - 200 201 - 220 221 - 240 241 - 250 251 - 255	AUTO PROGRAMS OFF PROGRAM 1 PROGRAM 2 PROGRAM 3 PROGRAM 4 PROGRAM 5 PROGRAM 6 PROGRAM 7 PROGRAM 8 PROGRAM 9 PROGRAM 10 PROGRAM 11 PROGRAM 12 PROGRAM 13 PROGRAM 14
15	0 - 255	PROGRAM SPEED SLOW - FAST
16	0 1 - 255	AUTO PROGRAM FADE NORMAL SLOW - FAST
17	0 - 20 21 - 40 41 - 60 61 - 80 81 - 100 101 - 255	DIMMER MODE STANDARD STAGE TV ARCHITECTURAL THEATRE DEFAULT DIMMER SETTING
18	0 - 225 226 - 235 236 - 255	PAN/TILT SPEED FAST - SLOW BLACKOUT BY MOVEMENT NO FUNCTION

Vizi Q Wash7		19 Channel DMX Mode (Standard)
Channel	Value	Function
19	0 - 79	AUTO PROGRAMS NORMAL
	80 - 84	ALL MOTOR RESET
	85 - 99	NO FUNCTION
	101 - 119	INTERNAL PROGRAM 1
	120 - 139	INTERNAL PROGRAM 2
	140 - 159	INTERNAL PROGRAM 3
	160 - 179	INTERNAL PROGRAM 4
	180 - 199	INTERNAL PROGRAM 5
	200 - 219	INTERNAL PROGRAM 6
	220 - 239	INTERNAL PROGRAM 7
240 - 255	NO FUNCTION	

Vizi Q Wash7		23 Channel DMX Mode (Extend)
Channel	Value	Function
1	0 - 255	PAN MOVEMENT 8bit (540° or 630°)
2	0 - 255	PAN MOVEMENT FINE 16bit
3	0 - 255	TILT MOVEMENT 8bit
4	0 - 255	TILT MOVEMENT FINE 16bit
5	0 - 255	RED CENTER LED 0% - 100%
6	0 - 255	GREEN CENTER LED 0% - 100%
7	0 - 255	BLUE CENTER LED 0% - 100%
8	0 - 255	WHITE CENTER LED 0% - 100%
9	0 - 255	RED OUTER LED'S 0% - 100%
10	0 - 255	GREEN OUTER LED'S 0% - 100%
11	0 - 255	BLUE OUTER LED'S 0% - 100%
12	0 - 255	WHITE OUTER LED'S 0% - 100%
13	0 - 255	COLOR MACROS PLEASE SEE PAGE 22
14	0 - 31	SHUTTER/STROBE LED OFF
	32 - 63	LED ON
	64 - 95	STROBING SLOW - FAST
	96 - 127	LED ON
	128 - 159	STROBE PULSE SLOW - FAST
	160 - 191	LED ON
	192 - 223	RANDOM STROBE SLOW - FAST
	224 - 255	LED ON
15	0 - 255	MASTER DIMMER 0% - 100%
	0 - 255	DIMMER FINE 0% - 100%
17	0 - 255	FOCUS NEAR - FAR

Vizi Q Wash7		23 Channel DMX Mode (Extend)
Channel	Value	Function
18	0	AUTO PROGRAMS OFF
	1 - 20	PROGRAM 1
	21 - 40	PROGRAM 2
	41 - 60	PROGRAM 3
	61 - 80	PROGRAM 4
	81 - 100	PROGRAM 5
	101 - 120	PROGRAM 6
	121 - 140	PROGRAM 7
	141 - 160	PROGRAM 8
	161 - 180	PROGRAM 9
	181 - 200	PROGRAM 10
	201 - 220	PROGRAM 11
	221 - 240	PROGRAM 12
	241 - 250	PROGRAM 13
251 - 255	PROGRAM 14	
19	0 - 255	PROGRAM SPEED SLOW - FAST
20	0	AUTO PROGRAM FADE NORMAL
	1 - 255	SLOW - FAST
21	0 - 20	DIMMER MODE STANDARD
	21 - 40	STAGE
	41 - 60	TV
	61 - 80	ARCHITECTURAL
	81 - 100	THEATRE
	101 - 255	DEFAULT DIMMER SETTING
22	0 - 225	PAN/TILT SPEED FAST - SLOW
	226 - 235	BLACKOUT BY MOVEMENT
	236 - 255	NO FUNCTION

Vizi Q Wash7		23 Channel DMX Mode (Extend)
Channel	Value	Function
23	0 - 79	AUTO PROGRAMS NORMAL
	80 - 84	ALL MOTOR RESET
	85 - 99	NO FUNCTION
	101 - 119	INTERNAL PROGRAM 1
	120 - 139	INTERNAL PROGRAM 2
	140 - 159	INTERNAL PROGRAM 3
	160 - 179	INTERNAL PROGRAM 4
	180 - 199	INTERNAL PROGRAM 5
	200 - 219	INTERNAL PROGRAM 6
	220 - 239	INTERNAL PROGRAM 7
	240 - 255	NO FUNCTION

Color No.	DMX VAULE			RGBW COLOR INTENSITY			Color No.			DMX VAULE			RGBW COLOR INTENSITY		
	RED	GREEN	BLUE	WHITE	RED	GREEN	BLUE	WHITE	RED	GREEN	BLUE	WHITE	RED	GREEN	BLUE
OFF	0	0	0	0	0	0	0	0	129-132	255	206	143	0		
Color1	1-4	80	255	234	80	255	234	133-136	133-136	254	177	153	0		
Color2	5-8	80	255	164	80	255	164	137-140	137-140	254	192	138	0		
Color3	9-12	77	255	112	77	255	112	141-144	141-144	254	165	98	0		
Color4	13-16	117	255	83	83	255	83	145-148	145-148	254	121	0	0		
Color5	17-20	160	255	77	77	255	77	149-152	149-152	176	17	0	0		
Color6	21-24	223	255	83	83	255	83	153-156	153-156	96	0	11	0		
Color7	25-28	255	243	77	77	255	243	157-160	157-160	234	139	171	0		
Color8	29-32	255	200	74	74	255	200	161-164	161-164	224	5	97	0		
Color9	33-36	255	166	77	77	255	166	165-168	165-168	175	77	173	0		
Color10	37-40	255	125	74	74	255	125	169-172	169-172	119	130	199	0		
Color11	41-44	255	97	77	77	255	97	173-176	173-176	147	164	212	0		
Color12	45-48	255	71	77	77	255	71	177-180	177-180	88	2	163	0		
Color13	49-52	255	83	134	83	255	134	181-184	181-184	0	38	86	0		
Color14	53-56	255	93	182	93	255	182	185-188	185-188	0	142	208	0		
Color15	57-60	255	96	236	96	255	236	189-192	189-192	52	148	209	0		
Color16	61-64	238	93	255	93	255	255	193-196	193-196	1	134	201	0		
Color17	65-68	196	87	255	87	255	255	197-200	197-200	0	145	212	0		
Color18	69-72	150	90	255	90	255	255	201-204	201-204	0	121	192	0		
Color19	73-76	100	77	255	77	255	255	205-208	205-208	0	129	184	0		
Color20	77-80	77	100	255	77	255	255	209-212	209-212	0	83	115	0		
Color21	81-84	67	148	255	148	255	255	213-216	213-216	0	97	166	0		
Color22	85-88	77	195	255	195	255	255	217-220	217-220	1	100	167	0		
Color23	89-92	77	234	255	234	255	255	221-224	221-224	0	40	86	0		
Color24	93-96	158	255	144	144	255	144	225-228	225-228	209	219	182	0		
Color25	97-100	255	251	153	153	255	153	229-232	229-232	42	165	85	0		
Color26	101-104	255	175	147	147	255	147	233-236	233-236	0	46	35	0		
Color27	105-108	255	138	186	138	255	186	237-240	237-240	8	107	222	0		
Color28	109-112	255	147	251	147	255	251	241-244	241-244	107	156	231	0		
Color29	113-116	151	138	255	138	255	255	245-248	245-248	165	198	247	0		
Color30	117-120	99	0	255	100	255	100	249-252	249-252	0	0	189	0		
Color31	121-124	138	169	255	138	255	169	253-255	253-255	255	255	255	0		
Color32	125-128	255	255	255	255	255	255								

Receive	Set Address	A001-A00X	
User Mode	User Mode	Standard Basic Extend User A User B User C	
	Edit A Edit B Edit C	Max Channel PAN :	
	Function	Status	Remote Add <input type="checkbox"/> OFF No DMX Mode <input type="checkbox"/> OFF Pan Invert <input type="checkbox"/> OFF Tilt Invert <input type="checkbox"/> OFF Pan Degree 630/540 Feedback <input type="checkbox"/> OFF Move.Spd <input type="checkbox"/> 1 ~ 4 Stand By OFF, 01M~99M 15W
	Fixture ID	Service PIN RDM PID xxxxxx	Password=050*
	Fan Set	Head Fan Auto High Low	
	LCD.Set	Backlight Flip Display Key Lock DispFlash	02~60m <05m> <input type="checkbox"/> ON <input type="checkbox"/> OFF <input type="checkbox"/> OFF
	Dim Curve	Standard Stage TV Architectural Theatre	
	Temp. C/F	Celsius Fahrenheit	
	Init.Effect	PAN-XXX	
	Wireless	OFF...CH00-14	
	Disp.Set	Chan.Value Slave Set Auto.Pro	PAN..... Slave1,Slave2,Slave3 Master / Alone
	DFSE	<input type="checkbox"/> ON <input type="checkbox"/> OFF	
Information	Time.Info	Current Total Time Last Clear Timer PIN Clear Last	
	Temp. Info	Head Temp.	
	Error. Info	Pan,Tilt	
	Model. Info	VIZI Q WASH7	
	Software.V	1U01 V1.01 2U01 V1.01 3U01 V1.01 3U02 V1.01	
Test	Reset.M	Pan&Tilt	
	Test.Chan	PAN	
	Panel.Ctrl.	PAN=XXX :	
	Calibrate	- Password- PAN :	
Program	Select .Pro	Pro. Part 1 = Program 1 ~ 9 Program 1 Pro. Part 2 = Program 1 ~ 9 Program 2 Pro. Part 3 = Program 1 ~ 9 Program 3	
	Edit. Pro	Program 1 : Program 9	Program Test Step 01=S00x Step 64=S00x
	Edit.Sce	Edit Scene 001 ~ Edit Scene 250	Pan,Tilt, Fade Time Scene Time Input By Outside
	Sce.Input	XX-XX	video scenes automatically

The main menu is accessed by pressing the MODE button. Browse through the menu by using the UP, DOWN, RIGHT, & LEFT buttons. Press the ENTER button to access the desired menu. You can scroll through the submenus using the UP, DOWN, RIGHT, & LEFT buttons. To confirm every selection press the ENTER button. You can exit every menu and submenu by pressing the MODE button. The unit will automatically exit the menus if no buttons are pressed after 10 seconds. These next pages will explain each function in the menu layout located on the previous page.

RECEIVE -

Set Address - With this function, you can adjust the desired DMX-address via the Control Board.

1. Access the main menu, and press the UP or DOWN buttons so that **“Receive”** is highlighted, then press ENTER.
2. **“Set Address”** will now be displayed, press ENTER. The current DMX address will now be displayed.
3. Use the UP or DOWN buttons to adjust the DMX address.
4. Press ENTER to confirm or press MODE to return to the main menu.

USER MODE

User Mode - This mode will let you select your desired DMX Channel mode.

1. Press the MODE button to access the main menu. Press the UP or DOWN buttons so that **“User Mode”** is highlighted, then press ENTER.
2. Press the LEFT or RIGHT buttons until **“User Mode”** is displayed, press ENTER.
3. Use the LEFT or RIGHT buttons to scroll through the 3 DMX Channel Modes.

Standard Mode - This is 19 Channel Mode.

Basic Mode - This is 17 Channel Mode.

Extended Mode - This is 23 Channel Mode.

User Mode A B C - These are customizable DMX modes. Select either of these modes and set the amount of DMX Channels and what each channel does.

4. Press the MODE button once to return to the **“User Mode Set”** menu.

Function -

Status

Address via DMX - With this function you can adjust the DMX address via external controller.

1. Press the MODE button to access the main menu. Press the UP or DOWN buttons so that **“Function”** is highlighted, then press ENTER.
2. Press the LEFT or RIGHT buttons until **“Status”** is displayed, press ENTER.
3. Press LEFT or RIGHT buttons, until **“Remote Add”** is displayed, and press ENTER.
4. Either **“Off”** or **“On”** will be displayed, use the UP and DOWN buttons to toggle between.
5. Press ENTER to confirm your selection or press MODE to exit.

To use this function follow these instructions:

To adjust the address of your unit you must first go to the address that it is currently set to. From there you can adjust the address. First make sure all channels are set to the value of “0”.

1. On your DMX controller set the DMX value of Channel 1 to the value “7”.
2. Now set the DMX value of Channel 2 to the value “7” to adjust the starting address between 1 and 255. To adjust the address between 256 and 511 set Channel 2 to the value “8”.
3. Set the DMX value of Channel 3 to your desired starting address. This will take about 20 seconds before the unit accepts the new DMX address.

EXAMPLE: If you want the address to be 57, you must first set

the address that is currently assigned to the unit. Then set Channel 1's value to "7", Channel 2's value to "7", and Channel 3's value to "57". Wait 20 seconds and the address should change on the unit to "57".

2ND EXAMPLE: If you want the address to be 420, you must first set the address that is currently assigned to the unit. If you want to set the address to 420, set Channel 1's value to "7", Channel 2's value to "8", and Channel 3's to "164". ($256 + 164 = 420$).

No DMX Mode - With this function if the DMX signal is suddenly lost, the unit will automatically go into 1 of 3 modes.

1. Press the MODE button to access the main menu. Press the UP or DOWN buttons so that "**Function**" is highlighted, then press ENTER.
2. Press the LEFT or RIGHT buttons until "**Status**" is displayed, press ENTER.
3. Press LEFT or RIGHT buttons, until "**No DMX Mode**" is displayed, and press ENTER.
4. Either "**Hold**" (Last DMX setting), "**Blackout**", or "**Auto**" (Auto Program) will be displayed, use the LEFT or RIGHT buttons to toggle between.
5. Press ENTER to confirm your selection or press MODE to exit.

Pan Invert - With this function you can reverse the Pan movement.

1. Press the MODE button to access the main menu. Press the UP or DOWN buttons so that "**Function**" is highlighted, then press ENTER. This function is used with DMX mode.
2. Press the LEFT or RIGHT buttons until "**Status**" is displayed, press ENTER.
3. Press LEFT or RIGHT buttons, until "**Pan Invert**" is displayed, and press ENTER.
4. Either "**Off**" or "**On**" will be displayed, use the LEFT or RIGHT buttons to toggle between.

5. Press ENTER to confirm your selection or press MODE to exit.

Tilt Invert - With this function you can reverse the left head Tilt movement. This function is used with DMX mode.

1. Press the MODE button to access the main menu. Press the UP or DOWN buttons so that "**Function**" is highlighted, then press ENTER.
2. Press the LEFT or RIGHT buttons until "**Status**" is displayed, press ENTER.
3. Press LEFT or RIGHT buttons, until "**Tilt Invert**" is displayed, and press ENTER.
4. Either "**Off**" or "**On**" will be displayed, use the LEFT or RIGHT buttons to toggle between.
5. Press ENTER to confirm your selection or press MODE to exit.

Pan Degree - With this function you can change the pan degree from 630 to 540. This function is used with DMX mode.

1. Press the MODE button to access the main menu. Press the UP or DOWN buttons so that "**Function**" is highlighted, then press ENTER.
2. Press the LEFT or RIGHT buttons until "**Status**" is displayed, press ENTER.
3. Press LEFT or RIGHT buttons, until "**Pan Degree**" is displayed, and press ENTER.
4. Either "**540**" or "**630**" will be displayed, use the LEFT or RIGHT buttons to toggle between.
5. Press ENTER to confirm your selection or press MODE to exit.

Feedback - With this function, you have the pan and tilt position feedback while out of step or not feedback while out of step.

1. Press the MODE button to access the main menu. Press the UP or DOWN buttons so that "**Function**" is highlighted, then press ENTER.
2. Press the LEFT or RIGHT buttons until "**Status**" is displayed, press ENTER.

3. Press LEFT or RIGHT buttons, until **“Feedback”** is displayed, and press ENTER.
4. Either **“Off”** or **“On”** will be displayed, use the LEFT or RIGHT buttons to toggle between.
5. Press ENTER to confirm your selection or press MODE to exit.

Movement Speed - With this function you can set the pan and tilt movement speed.

1. Press the MODE button to access the main menu. Press the UP or DOWN buttons so that **“Function”** is highlighted, then press ENTER.
2. Press the LEFT or RIGHT buttons until **“Status”** is displayed, press ENTER.
3. Press LEFT or RIGHT buttons, until **“Move. Speed”** is displayed, and press ENTER.
4. Either **“Speed 1”**, **“Speed 2”**, **“Speed 3”** or **“Speed 4”** will be displayed, use the LEFT or RIGHT buttons to toggle between.
5. Press ENTER to confirm your selection or press MODE to exit.

Stand By - With this function the LEDs and step motors will power off if there is no DMX signal within 15 mins (factory default). Once it receives a DMX signal, the fixture will reset itself.

1. Press the MODE button to access the main menu. Press the UP or DOWN buttons so that **“Function”** is highlighted, then press ENTER.
2. Press the LEFT or RIGHT buttons until **“Status”** is displayed, press ENTER.
3. Press LEFT or RIGHT buttons, until **“Stand By”** is displayed, and press ENTER.
4. The current stand by setting will be displayed, use the LEFT or RIGHT buttons to adjust the hibernation period between 01M-99M or **“Off”**.
5. Press ENTER to confirm your selection or press MODE to exit.

Fixture ID

Password - With this function you can enter the RDM password so that you can access and change the RDM ID number.

1. Press the MODE button to access the main menu. Press the UP or DOWN buttons so that **“Function”** is highlighted, then press ENTER.
2. Press the LEFT or RIGHT buttons until **“Fixture ID”** is displayed, press ENTER.
3. Press the LEFT or RIGHT buttons until **“ServicePIN”** is displayed, press ENTER.
4. The **“Password”** is 050.
5. Press ENTER or press MODE to exit.

RDM PID - RDM stands for “Remote Device Management”. This feature lets you control every aspect of your fixture remotely from an RDM controller. Manual settings like adjusting the DMX address are no longer needed. This is especially useful when the unit is installed in a remote area. In this submenu you can see the units RDM ID number and adjust it as well.

1. Press the MODE button to access the main menu. Press the UP or DOWN buttons so that **“Function”** is highlighted, then press ENTER.
2. Press the LEFT or RIGHT buttons until **“Fixture ID”** is displayed, press ENTER.
3. Press LEFT or RIGHT until **“RDM PID”** is displayed, and press ENTER.
4. **“XXXXXX”** will be displayed. **“XXXXXX”** represents the units current RDM ID.
5. Press ENTER or press MODE to exit.

Fan Set

Fan Set - With this function, you can control the fan speed.

1. Access the main menu, and press the UP or DOWN buttons so

that **“Function”** is highlighted, then press ENTER.

2. Press the LEFT or RIGHT buttons until **“Fan Set”** is displayed, and press ENTER. The current setting will now be displayed.
3. **“Head Fan”** will now be displayed, press ENTER.
4. Use the LEFT or RIGHT buttons to make the adjustments to the fan.
5. Press ENTER to confirm your selection or press the MODE button to return to the main menu.

LCD.Set

Backlight - With this function you can have the LCD display after 2-60 minutes. Use this function to adjust the time.

1. Press the MODE button to access the main menu. Press the UP or DOWN buttons so that **“Function”** is highlighted, then press ENTER.
2. Press the LEFT or RIGHT buttons until **“LCD.Set”** is displayed, press ENTER.
3. Press LEFT or RIGHT buttons, until **“Backlight”** is displayed, and press ENTER.
4. **“05m”** (5 minutes) will be displayed, use the LEFT or RIGHT buttons to adjust the shutoff time between 02m-60m or “Off”.
5. Press ENTER to confirm your selection or press MODE to exit.

Flip Display - With this function you can rotate (flip) the display 180 degrees.

1. Press the MODE button to access the main menu. Press the UP or DOWN buttons so that **“Function”** is highlighted, then press ENTER.
2. Press the LEFT or RIGHT buttons until **“LCD.Set”** is displayed, press ENTER.
3. Press LEFT or RIGHT buttons, until **“Flip Display”** is displayed, and press ENTER.
4. Either **“Off”** or **“On”** will be displayed, use the LEFT or RIGHT but-

tons to toggle between.

5. Press ENTER to confirm your selection or press MODE to exit.

Key Lock - With this function activated the buttons will lock automatically after 15 seconds.

1. Press the MODE button to access the main menu. Press the UP or DOWN buttons so that **“Function”** is highlighted, then press ENTER.
2. Press the LEFT or RIGHT buttons until **“LCD.Set”** is displayed, press ENTER.
3. Press LEFT or RIGHT buttons, until **“Key Lock”** is displayed, and press ENTER.
4. Either **“Off”** or **“On”** will be displayed, use the LEFT or RIGHT buttons to toggle between.
5. Press ENTER to confirm your selection or press MODE to exit.

DispFlash - With this function active, the display will flash when the DMX signal is lost.

1. Press the MODE button to access the main menu. Press the UP or DOWN buttons so that **“Function”** is highlighted, then press ENTER.
2. Press the LEFT or RIGHT buttons until **“LCD.Set”** is displayed, press ENTER.
3. Press LEFT or RIGHT buttons, until **“DispFlash”** is displayed, and press ENTER.
4. Either **“Off”** or **“On”** will be displayed, use the LEFT or RIGHT buttons to toggle between.
5. Press ENTER to confirm your selection or press MODE to exit.

Dim Curve

Dim Curve - With this function you can change dimmer curve setting for LED. See page 44 for the Dimmer Curve Chart.

1. Press the MODE button to access the main menu. Press the UP or DOWN buttons so that **“Function”** is highlighted, then press ENTER.

2. Press the LEFT or RIGHT buttons until **"Dim Curve"** is displayed, press ENTER.
3. The current dimmer curve setting will now be displayed.
4. Use the LEFT or RIGHT buttons to find your desired dimmer curve setting.
5. Press ENTER to confirm your selection or press MODE to exit.

Temperature C/F

Temperature C/F - With this function, you can change the temperature display to show either Celsius or Fahrenheit.

1. Press the MODE button to access the main menu. Press the UP or DOWN buttons so that **"Function"** is highlighted, then press ENTER.
2. Press LEFT or RIGHT buttons, until **"Temp. C/F"** is displayed, and press ENTER.
3. Either **"Celsius"** or **"Fahrenheit"** will be displayed, use the LEFT or RIGHT buttons to toggle between.
4. Press ENTER to confirm your selection or press MODE to exit.

Init.Effect

Init.Effect - In this menu you are able to check the initial effect position.

1. Press the MODE button to access the main menu. Press the UP or DOWN buttons so that **"Function"** is highlighted, then press ENTER.
2. Press the UP or DOWN buttons until **"Init.Effect"** is displayed, press ENTER.
3. "XXX" will be displayed. "XXX" represents the current effect position.
4. Press ENTER or press MODE to exit.

Wireless On/Off and Address:

This function is used to activate WiFly and set the wireless address. This address must match the address that is set to WiFly TransCeiver

or WiFly controller.

1. Plug the fixture in and access the main menu. Press the UP or DOWN buttons until **"Function"** is displayed, and press ENTER.
2. Press the LEFT or RIGHT buttons until **"Wireless"** is displayed. "XX" represents the current displayed address. Press ENTER to access, and use the LEFT or RIGHT buttons to adjust the wireless channel.
3. When you are finished making your adjustment press ENTER and press the MODE button to exit this menu.

Disp. Set

Chan. Value - This function will allow you to see the DMX value of each DMX channel that is currently being used at the time.

1. Access the main menu, and press the UP or DOWN buttons so that **"Function"** is highlighted, then press ENTER.
2. Press the LEFT or RIGHT buttons until **"Chan. Value"** is displayed, and press ENTER.
3. A DMX Channel will be displayed. **Example:** Pan, Rotation, LED's etc... Press ENTER when you find the DMX channel that you would like to check. When you press ENTER the DMX value of that channel will be displayed.
4. Press the MODE button to exit.

Slave Set - This function lets you designate the unit as the slave in a Master-Slave configuration.

1. Access the main menu, and press the UP or DOWN buttons so that **"Function"** is highlighted, then press ENTER.
2. Press the LEFT or RIGHT buttons until **"Slave Set"** is displayed, and press ENTER.
3. Either Slave 1, Slave 2, or Slave 3 will be displayed. Use the LEFT or RIGHT buttons to find your desired setting and press ENTER, or the press MODE button to exit.

Auto. Pro - This function allows the internal programs to run in either stand-alone or master/slave mode. In “Master” mode the fixture will send DMX data to other fixtures connect via the DMX chain. In “Alone” mode the fixture will operate as a single fixture. The program for this mode is selected in the “Select program” section of the control menu. You can set the number of steps under “Edit program”. You can edit the individual scenes under “Edit scenes”. With this function, you can run the individual scenes either automatically, i.e. with the adjusted Step-Time.

1. Access the main menu, and press the UP or DOWN buttons so that “**Function**” is highlighted, then press ENTER.
2. Press the LEFT or RIGHT buttons until “**Auto. Pro**” is displayed, and press ENTER.
3. Either “Master” or “Alone” will be displayed. Use the LEFT or RIGHT buttons to find your desired setting.
4. Press ENTER to to make your selection, or press MODE button to exit.

DFSE

DFSE - With this function you can restore the factory settings.

1. Access the main menu, and press the UP or DOWN buttons so that “**Function**” is highlighted, then press ENTER.
2. Press the LEFT or RIGHT buttons so that “**DFSE**” is highlighted, then press ENTER.
3. Either “**Off**” or “**On**” will be displayed, use the LEFT or RIGHT buttons to toggle between. Selecting “**On**” will restore the factory settings.
4. Press ENTER to confirm your selection or press MODE to exit.

INFORMATION

Time. Info (*Time information is always represented in hours*)

Current - This will allow you to check units current running time since power has been activated.

1. Press the MODE button to access the main menu. Press the UP or DOWN buttons so that “**Information**” is highlighted, then press ENTER.
2. Press the LEFT or RIGHT buttons until “**Time. Info**” is displayed, press ENTER.
3. Press LEFT or RIGHT buttons, until “**Current**” is displayed, and press ENTER.
4. “**XXXX**” will now be displayed. “**XXXX**” represents the current running time.
5. Press ENTER or press MODE to exit.

Total Time - This will allow you to check units total running time.

1. Press the MODE button to access the main menu. Press the UP or DOWN buttons so that “**Information**” is highlighted, then press ENTER.
2. Press the LEFT or RIGHT buttons until “**Time. Info**” is displayed, press ENTER.
3. Press LEFT or RIGHT buttons, until “**Total Time**” is displayed, and press ENTER.
4. “**XXXX**” will now be displayed. “**XXXX**” represents the total running time.
5. Press ENTER or press MODE to exit.

Last Clear - This will show you the last time the time was cleared.

1. Press the MODE button to access the main menu. Press the UP or DOWN buttons so that “**Information**” is highlighted, then press ENTER.
2. Press the LEFT or RIGHT buttons until “**Time. Info**” is displayed, press ENTER.
3. Press LEFT or RIGHT buttons, until “**Last Clear**” is displayed, and press ENTER.

4. Either “**Off**” or “**On**” will be displayed, use the LEFT or RIGHT buttons to toggle between.

5. Press ENTER to confirm your selection or press MODE to exit.

Timer Pin - Timer Pin will allow you to clear the running time. See Clear Last for more information.

1. Press the MODE button to access the main menu. Press the UP or DOWN buttons so that “**Information**” is highlighted, then press ENTER.

2. Press the LEFT or RIGHT buttons until “**Time. Info**” is displayed, press ENTER.

3. Press LEFT or RIGHT buttons, until “**Timer Pin**” is displayed, and press ENTER.

4. The “**Timer Pin**” is 050.

5. Press ENTER to confirm or press MODE to exit.

Clear Last - This will allow you to clear the LED running time. You need to put in the **Timer Pin** before doing this. Please see **Timer Pin**.

1. Press the MODE button to access the main menu. Press the UP or DOWN buttons so that “**Information**” is highlighted, then press ENTER.

2. Press the LEFT or RIGHT buttons until “**Time. Info**” is displayed, press ENTER.

3. Press LEFT or RIGHT buttons, until “**Clear Last**” is displayed, and press ENTER.

4. Either “**Off**” or “**On**” will be displayed, use the LEFT or RIGHT buttons to toggle between.

5. Press ENTER to confirm or press MODE to exit.

Temp. Info - This will allow you to check the moving head temperature.

1. Press the MODE button to access the main menu. Press the UP or DOWN buttons so that “**Information**” is highlighted, then press

ENTER.

2. Press the LEFT or RIGHT buttons until “**Temp. Info**” is displayed, press ENTER.

3. “**Head Temp.**” will now be displayed, press ENTER.

4. “**XXX**” will now be displayed. “**XXX**” represents the current temperature of the moving head.

5. Press MODE to exit.

Error. Info - This will allow you to see any errors that have occurred.

1. Press the MODE button to access the main menu. Press the UP or DOWN buttons so that “**Information**” is highlighted, then press ENTER.

2. Press the LEFT or RIGHT buttons until “**Error. Info**” is displayed, press ENTER.

3. Any errors that have occurred to Pan, Tilt, etc will now be displayed.

4. Press MODE to exit.

Model. Info - This will allow you to see the model name

1. Press the MODE button to access the main menu. Press the UP or DOWN buttons so that “**Information**” is highlighted, then press ENTER.

2. Press the LEFT or RIGHT buttons until “**Model. Info**” is displayed, press ENTER.

3. The model name will now be displayed.

4. Press MODE to exit.

Software. V - This will allow you to see the software version you are currently running.

1. Press the MODE button to access the main menu. Press the UP or DOWN buttons so that “**Information**” is highlighted, then press ENTER.

2. Press the LEFT or RIGHT buttons until **“Software. V”** is displayed, press ENTER.

3. The software version will now be displayed.

4. Press MODE to exit.

TEST

Reset. M - With this function you can reset the Pan & Tilt motors.

1. Press the MODE button to access the main menu. Press the UP or DOWN buttons so that **“Test”** is highlighted, then press ENTER.

2. Press the LEFT or RIGHT buttons until **“Reset. M”** is displayed.

3. Press ENTER to reset or press MODE to exit.

Test. Chan - With this function you can test each channel function.

1. Press the MODE button to access the main menu. Press the UP or DOWN buttons so that **“Test”** is highlighted, then press ENTER.

2. Press the LEFT or RIGHT buttons until **“Test. Chan”** is displayed, press ENTER.

3. Use the LEFT or RIGHT buttons to scroll through the various channels.

4. Press ENTER to select a channel to test or press MODE to exit.

Panel. Ctrl - With this function you can make fine adjustments.

1. Press the MODE button to access the main menu. Press the UP or DOWN buttons so that **“Test”** is highlighted, then press ENTER.

2. Press the LEFT or RIGHT buttons until **“Panel. Ctrl”** is displayed, press ENTER.

3. Use the LEFT or RIGHT buttons to scroll through the various functions.

4. Press ENTER when you find the function you would like to adjust or press MODE to exit.

Calibrate - With this function you can calibrate and adjust the effects wheels to their correct positions. The Calibration password 050.

NOTE: ONLY QUALIFIED TECHNICIANS SHOULD PERFORM THIS FUNCTION.

1. Press the MODE button to access the main menu. Press the UP or DOWN buttons so that **“Test”** is highlighted, then press ENTER.

2. Press the LEFT or RIGHT buttons until **“Calibrate”** is displayed, press ENTER.

3. “XXXX” will be displayed. The password is 050.

4. Press ENTER to confirm or press MODE to exit.

PROGRAM

EDIT PROGRAM: - The fixture comes equipped with a built-in DMX recorder that allows custom programs to be installed and recalled directly from the fixture’s control board. Programs can be created and stored using the fixture’s control board or by using an external DMX controller.

Select. Pro – This function allows the user to select one of nine of the user defined built-in programs. This program is then accessed in “Function Mode” under “Program Run.”

Edit. Pro – This function allows the user to edit the built-in programs.

Edit. Sce – This function allows the user to edit or define the actual scenes that are stored in the user defined built-in programs that are accessed in the previous step.

Sce. Input - The Vizi Q Wash7 features an integrated DMX recorder. Preprogrammed scenes can be transmitted to the fixture via any DMX compliant controller. This function allows those scenes to be stored in to the fixture’s built-in memory and then subsequently used to create the user-defined programs.

Stand-Alone (Auto Program): This mode allows a single unit to run through a built-in program.

AUTO PROGRAM:

1. Access the main menu, and press the UP or DOWN buttons so that “**Function**” is highlighted, then press ENTER.
2. Press the UP or DOWN buttons until “**Disp. Set**” is displayed, and press ENTER.
3. Press the UP or DOWN buttons until “**Auto. Pro**” is displayed, and press ENTER.
4. Either “**Master**” or “**Alone**” will be displayed. Using the UP or DOWN buttons select “**Alone**” and press ENTER.

Master-Slave Configuration (Auto Program): This function will allow you to link up to 16 units together and operate without a controller. In a Master-Slave set up, one unit will act as the controlling unit and the others will react to the controlling units programs. Any unit can act as a Master or as a Slave.

1. Using standard XLR cables, daisy chain your units together via the XLR connector on the rear of the units. Remember the Male XLR connector is the input and the Female XLR connector is the output. The first unit in the chain (master) will use the female XLR connector only - The last unit in the chain will use the male XLR connector only. For longer cable runs we suggest a terminator at the last fixture.
2. On your “**Master**” unit, access the main menu, and press the UP or DOWN buttons so that “**Function**” is highlighted, then press ENTER.
3. Press the UP or DOWN buttons until “**Disp. Set**” is displayed, and press ENTER.
4. Use the UP or DOWN buttons to highlight “**Auto. Pro**” and press ENTER.
5. Either “**Master**” or “**Alone**” will be displayed. Using the UP or DOWN buttons select “**Master**” and press ENTER.
6. For your “**Slave**” units, access the main menu, and press the UP or DOWN buttons so that “**Function**” is highlighted, then press ENTER.
7. Press the UP or DOWN buttons until “**Disp. Set**” is displayed, and press ENTER.

8. Press the UP or DOWN buttons until “**Slave Set**” is displayed, and press ENTER.
9. Either Slave 1, Slave 2, or Slave 3 will be displayed. Select your desired Slave setting and press ENTER.
10. Press MODE if you want to return to the main menu.
11. You may invert the pan and tilt functions in the system menu by following the directions on pages 26-27.

With this feature you are able to control the unit with DMX without the need of XLR cables. Your DMX controller must be connected to a ADJ WiFly Transceiver to use this function. You are able to communicate up to 2500 feet/760 meters (open line of sight).

1. Follow the instructions on page 33 to activate WiFly and set the Wireless address. The address must match the address set on the WiFly Transceiver.
2. After you have set the WiFly address, follow the DMX instructions on page 24 to select your desired DMX Channel mode and set your DMX address.
3. Apply power to the ADJ WiFly Transceiver. The fixture must be set up first before you apply power to WiFly Transceiver.

Note: If the sync does not work, switch the WiFly power off then on again.

This feature will let you link units to run in a master-slave mode without the use of XLR cables.

1. Follow the instructions on page 33 to activate WiFly and set the Wireless address. The address must match the address set on the WiFly Transceiver.
2. After you have set the WiFly address, select your master unit and set your desired operating mode.
3. For the Slave units, put the unit in Slave mode. See page 40 Master-Slave configuration when setting the unit as a Slave.

NOTE: If they do not sync up master-slave, switch the Master fixtures WiFly off then on again.

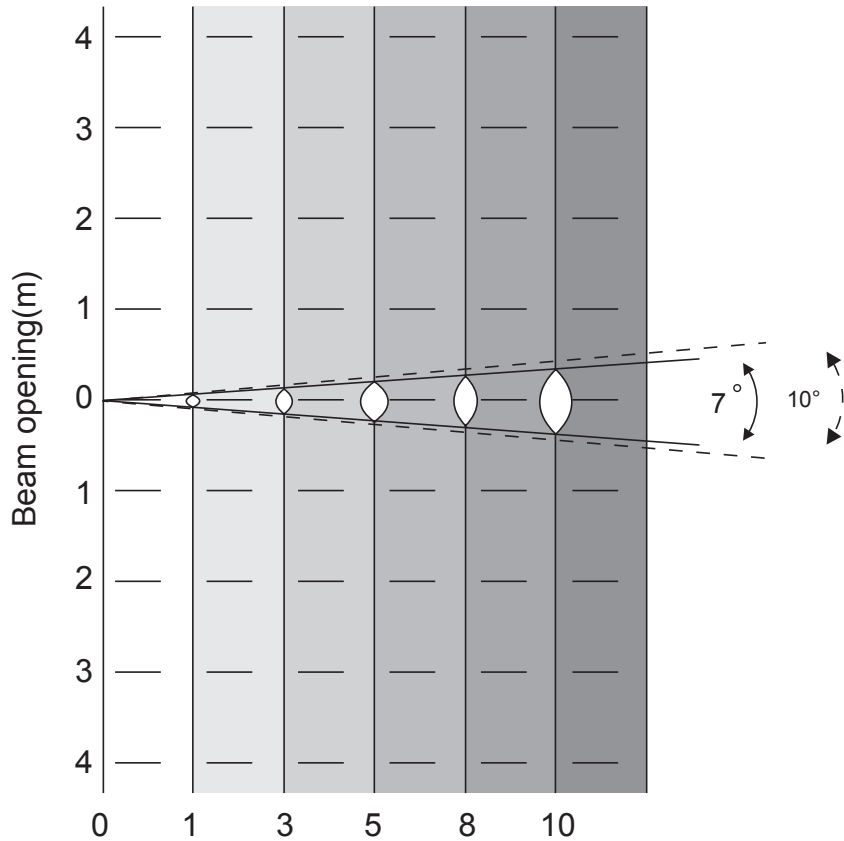
Vizi Q Wash7 **Photometric Chart**

Beam angle 7°

Field angle 10°

Intensity(LUX)

Red LEDs	19560	8340	4121	2532	1718
Green LEDs	37330	17060	8374	5127	3410
Blue LEDs		3087	1302	809	484
White LEDs	45140	20890	10130	6020	4002
Full LEDs		49010	24330	14000	9387



7° Diameter(m)	0.11	0.23	0.31	0.41	0.51
10° Diameter(m)	0.17	0.37	0.53	0.73	0.90

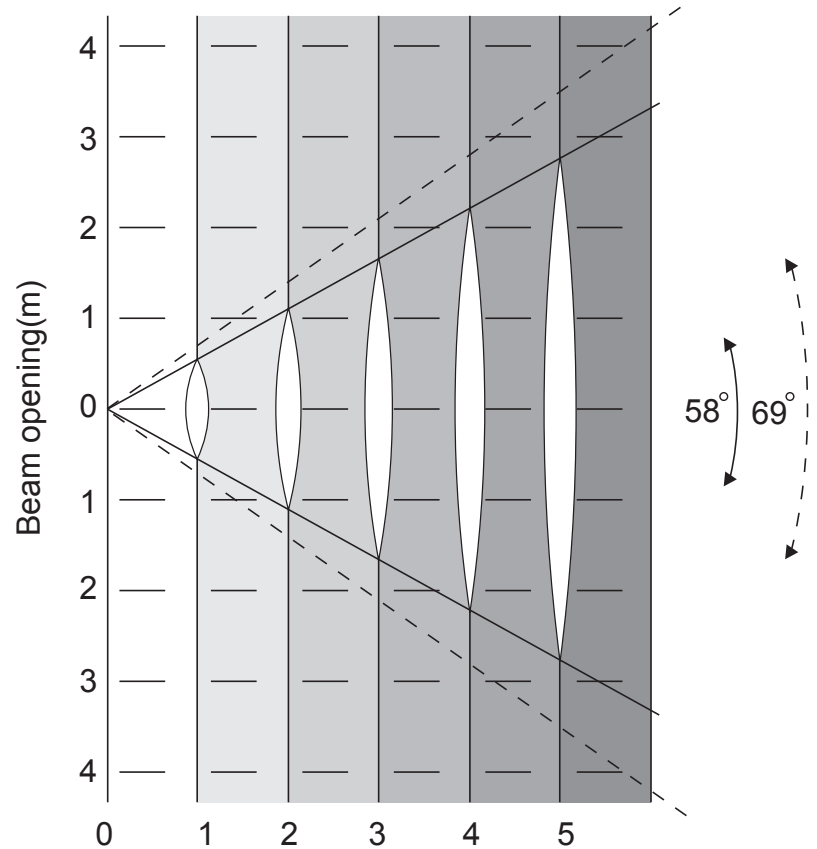
Vizi Q Wash7 **Photometric Chart**

Beam angle 58°

Field angle 69°

Intensity(LUX)

Red LEDs	1551	408	173	101	62
Green LEDs	2998	787	251	198	128
Blue LEDs	500	122	49	23	11
White LEDs	3567	934	417	236	154
Full LEDs	8205	2200	984	565	372



58° Diameter(m)	1.11	2.27	3.42	4.58	5.73
69° Diameter(m)	1.38	2.78	4.18	5.58	6.98

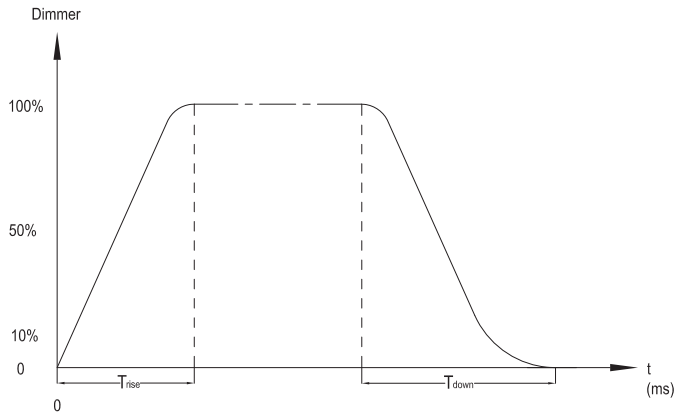
Vizi Q Wash7 **Power Cord Daisy Chain**

With this feature you can connect the fixtures to one another using the PowerCON input and output sockets. The quantity that can be connected is 5 fixtures maximum @ 110V and a maximum 11 fixture's @ 240V. After maximum limit has been reached you will need to use a new power outlet. They must be the same fixtures. DO NOT mix fixtures.

Vizi Q Wash7 **Fuse Replacement**

Fuse Replacement: First unplug the power. The fuse holder is located above the PowerCON connection. Using a flat head screw driver unscrew the fuse holder. Remove the bad fuse and replace with a new one.

Vizi Q Wash7 **Dimmer Curve Chart**



Ramp Effect	0 $\frac{255}{}$ 0S (Fade Time)		0 $\frac{255}{}$ 1S (Fade Time)	
	T _{rise} (ms)	T _{down} (ms)	T _{rise} (ms)	T _{down} (ms)
Standard	0	0	0	0
Stage	780	1100	1540	1660
TV	1180	1520	1860	1940
Architectural	1380	1730	2040	2120
Theatre	1580	1940	2230	2280

Vizi Q Wash7 **Cleaning**

Fixture Cleaning: Due to fog residue, smoke, and dust cleaning the internal and external optical lenses and mirror should be carried out periodically to optimize light output. Cleaning frequency depends on the environment in which the fixture operates (I.e. smoke, fog residue, dust, dew). In heavy club use we recommend cleaning on a monthly basis. Periodic cleaning will ensure longevity, and crisp output.

1. Use normal glass cleaner and a soft cloth to wipe down the outside casing.
2. Use a brush to wipe down the cooling vents and fan grill.
3. Clean the external optics and mirror with glass cleaner and a soft cloth every 20 days.
4. Clean the internal optics with glass cleaner and a soft cloth every 30-60 days.
5. Always be sure to dry all parts completely before plugging the unit back in.

Vizi Q Wash7 **Trouble Shooting**

Trouble Shooting: Listed below are a few common problems that you may encounter, with solutions.

No light output from the unit;

1. Be sure the external fuse has not blown. The fuse is located on the back panel of the unit next to the PowerCON input connection.
2. Be sure the fuse holder is completely and properly seated.

Unit does not respond to sound;

1. Low frequencies (bass) should cause the unit to react to sound. Tapping on the microphone, quiet or high pitched sounds may not activate the unit.

Vizi Q Wash7

Warranty

MANUFACTURER'S LIMITED WARRANTY

- A. ADJ Products, LLC hereby warrants, to the original purchaser, ADJ Products, LLC products to be free of manufacturing defects in material and workmanship for a prescribed period from the date of purchase (see specific warranty period on reverse). This warranty shall be valid only if the product is purchased within the United States of America, including possessions and territories. It is the owner's responsibility to establish the date and place of purchase by acceptable evidence, at the time service is sought.
- B. For warranty service you must obtain a Return Authorization number (RA#) before sending back the product—please contact ADJ Products, LLC Service Department at 800-322-6337. Send the product only to the ADJ Products, LLC factory. All shipping charges must be pre-paid. If the requested repairs or service (including parts replacement) are within the terms of this warranty, ADJ Products, LLC will pay return shipping charges only to a designated point within the United States. If the entire instrument is sent, it must be shipped in its original package. No accessories should be shipped with the product. If any accessories are shipped with the product, ADJ Products, LLC shall have no liability whatsoever for loss of or damage to any such accessories, nor for the safe return thereof.
- C. This warranty is void if the serial number has been altered or removed; if the product is modified in any manner which ADJ Products, LLC concludes, after inspection, affects the reliability of the product; if the product has been repaired or serviced by anyone other than the ADJ Products, LLC factory unless prior written authorization was issued to purchaser by ADJ Products, LLC; if the product is damaged because not properly maintained as set forth in the instruction manual.
- D. This is not a service contract, and this warranty does not include maintenance, cleaning or periodic check up. During the period specified above, ADJ Products, LLC will replace defective parts at its expense with new or refurbished parts, and will absorb all expenses for warranty service and repair labor by reason of defects in material or workmanship. The sole responsibility of ADJ Products, LLC under this warranty shall be limited to the repair of the product, or replacement thereof, including parts, at the sole discretion of ADJ Products, LLC. All products covered by this warranty were manufactured after August 15, 2012, and bear indentifying marks to that effect.
- E. ADJ Products, LLC reserves the right to make changes in design and/or improvements upon its products without any obligation to include these changes in any products theretofore manufactured.

No warranty, whether expressed or implied, is given or made with respect to any accessory supplied with products described above. Except to the extent prohibited by applicable law, all implied warranties made by ADJ Products, LLC in connection with this product, including warranties of merchantability or fitness, are limited in duration to the warranty period set forth above. And no warranties, whether expressed or implied, including warranties of merchantability or fitness, shall apply to this product after said period has expired. The consumer's and/or Dealer's sole remedy shall be such repair or replacement as is expressly provided above; and under no circumstances shall ADJ Products, LLC be liable for any loss or damage, direct or consequential, arising out of the use of, or inability to use, this product.

This warranty is the only written warranty applicable to ADJ Products, LLC Products and supersedes all prior warranties and written descriptions of warranty terms and conditions heretofore published.

MANUFACTURER'S LIMITED WARRANTY PERIODS:

- **Non L.E.D. Lighting Products = 1-year (365 days) Limited Warranty** (Such as: Special Effect Lighting, Intelligent Lighting, UV lighting, Strobes, Fog Machines, Bubble Machines, Mirror Balls, Par Cans, Trussing, Lighting Stands etc. excluding LED and lamps)
- **Laser Products = 1 Year (365 Days) Limited Warranty** (excluding laser diodes which have a 6 month limited warranty)
- **L.E.D. Products = 2-year (730 days) Limited Warranty** (excluding batteries which have a 180 day limited warranty). **Note: 2 Year Warranty only applies to purchases within the United States.**
- **StarTec Series = 1 Year Limited Warranty** (excluding batteries which have a 180 day limited warranty).
- **ADJ DMX Controllers = 2 Year (730 Days) Limited Warranty**

ADJ Products, LLC - www.adj.com - Vizi Q Wash7 Instruction Manual Page 46

Vizi Q Wash7

Specifications

Model:	Vizi Q Wash7
Voltage:	100~240V, 50/60Hz
LEDs:	7 x 40W RGBW 4-in-1 LEDs
LED Life:	50,000 Hrs.
Beam Angle:	7 - 58 Degrees
Power Consumption:	305W
PowerCON Daisy Chain:	5 Fixtures Max. (110V) 11 Fixtures Max. (240V)
Dimensions:	11.75"(L) x 8"(W) x 15.75"(H) 300 x 200 x 400mm
Weight:	19 Lbs. / 8.5 kgs.
Colors:	RGBW
Fuse:	3A (120V) 2A (240V)
Duty Cycle:	None
DMX:	3 DMX Channel Modes: 17 Channels, 19 Channels, or 23 Channels
Working Position:	Any Safe, Secure Position
Warranty:	2 Year (730 days)

Auto Sensing Voltage: *This fixture contains a automatic voltage switch, which will auto sense the voltage when it is plugged into the power source.*

Please Note: *Specifications and improvements in the design of this unit and this manual are subject to change without any prior written notice.*

ADJ Products, LLC
6122 S. Eastern Ave. Los Angeles, CA 90040 USA
Tel: 323-582-2650 / Fax: 323-725-6100
Web: www.adj.com / E-mail: info@americandj.com

A.D.J. Supply Europe B.V.
Junostraat 2
6468 EW Kerkrade
The Netherlands

Follow Us On:



facebook.com/americandj
twitter.com/americandj
youtube.com/adjlighting

service@adjgroup.eu / www.adj.eu
Tel: +31 45 546 85 00 / Fax: +31 45 546 85 99