

The Kramer RC-10TB 1-Button Contact Closure Switch

Congratulations on purchasing your Kramer **RC-10TB** single slot wall plate insert *1-Button Contact Closure Switch* which is ideal for using as a means of remote control in boardrooms and conference rooms. It can be used with the **SID-X1** step-in commander or any other Kramer product with contact closure control.

The **RC-10TB** front panel has one momentary switching button. On the rear are remote momentary contact closure terminal block connectors that connect to a remote switch terminal block connector.

[Figure 1](#) shows the **RC-10TB** front panel and the pinout on the rear:

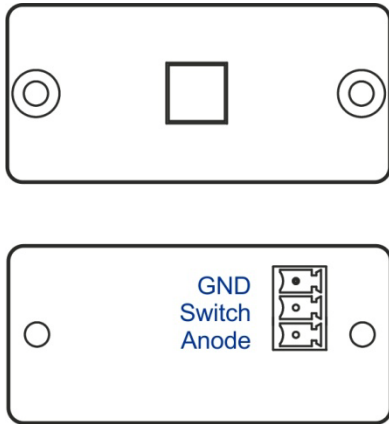


Figure 1: RC-10TB Front Panel and Rear

The **RC-10TB** can remotely take control of the input of a machine via its remote contact closure terminal blocks. For example, you can connect the **RC-10TB** to the REMOTE STEP-IN contact closure terminal block connectors of the Kramer **SID-X1 Step-In Commander** (download the up-to-date Kramer user manual at: www.kramerelectronics.com), to remotely take control of the input of the attached switcher, as well as a remote step-in LED to the REMOTE STEP-IN terminal block on the rear panel of the **SID-X1**.

[Figure 2](#) shows the pinout of the **SID-X1** REMOTE STEP IN terminal block connector connected to the rear panel of **RC-10TB** terminal block connector.

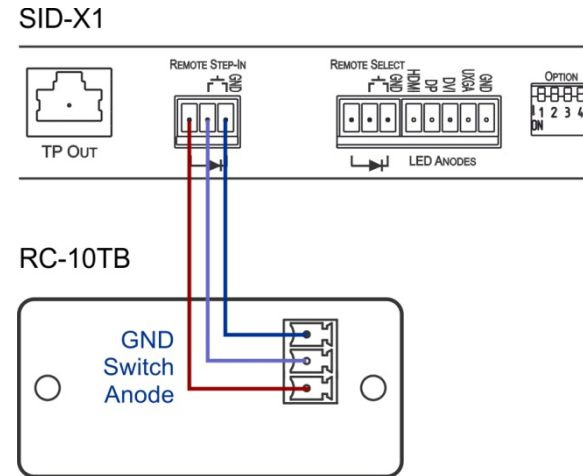


Figure 2: RC-10TB connected to an SID-X1 Unit

To connect the **RC-10TB**, as illustrated in the example in [Figure 2](#):

1. Connect the first REMOTE STEP-IN pin (from the left side) to the anode pin of the **RC-10TB**.
2. Connect the second REMOTE STEP-IN pin to the switch pin on the **RC-10TB**.
3. Connect the GND REMOTE STEP-IN pin to the GND pin on the **RC-10TB**.

Momentarily pressing the button on the **RC-10TB** activates the STEP-IN process.



KRAMER ELECTRONICS LTD.

User Manual

MODEL:

RC-10TB

1-Button Contact Closure Switch

For the latest information on our products and a list of Kramer distributors, visit our Web site where updates to this user manual may be found.

We welcome your questions, comments, and feedback.

Web site: www.kramerelectronics.com

E-mail: info@kramerel.com



SAFETY WARNING

Disconnect the unit from the power supply before opening and servicing