



CA **CLOCKAUDIO**[®]
PROFESSIONAL MICROPHONE SYSTEMS
Clearly different.[™]
2020



02 Introduction

Since its formation in 1994, Hampshire (UK) based Clockaudio has achieved a position of high regard within the professional audio industry.

Clockaudio's reputation has been built on sound principles and dedication to quality and service while gaining respect of those who have dealt with products and services.

Today, tributes and endorsements continue to drive Clockaudio into an ever-increasing territory, helping the company to attract worldwide representation without the fanfare of its contemporaries.

Audio professionals now actively seek out and recommend Clockaudio for its reputation as a trusted, proactive and dedicated manufacturer, and for its recognised customer driven approach to audio solutions.

Central to this is Clockaudio's in-house research and development facility, which allows clients to explore customised prototypes and develop incredibly specific briefs in partnership directly with the manufacturer, often working to very short deadlines and in low volumes. This partnership approach has struck a chord with consultants and contractors alike, giving them the opportunity to become involved in developing the ideal solution rather than having to make due with the most suitable off-the-shelf item.

This ability to customise is just one of the many factors which make the Clockaudio of today *Clearly Different* in a world of identical manufacturers. For more than a quarter of a century since its inception, Clockaudio remains true to its founding principles - "quality and service".

T: 450 424-9797 • 1 888 424-9797

F: 450 424-3660

E: info@clockaudio.com

W: www.clockaudio.com







o RF Series: GSM-friendly microphones and shock mounts

The **Clockaudio RF** product range has been developed in direct response to interference (noise) issues which have been introduced into microphones, IP phones, hearing aids, etc. by popular GSM devices and mobile phones. The noise emitted from these devices can wreak havoc on everything from a simple phone call to a complex video conference, and everything in between.

These GSM devices emit a periodic hand shaking 'sync signal' to the nearest antenna tower even when these devices are at rest which creates noise, as well as data streaming noise when receiving or making calls, text messaging, sending or receiving e-mails or web surfing. Depending on the distance of the PDA or mobile device to the antenna tower, these devices will vary their strength in order to ensure proper hand shaking which can result in loud distracting noises which takes the focus away from the real business at hand; 'your business'.

Clockaudio's 'RF-Immunity' Series of microphones completely strips out this interference without any degradation of audio quality, frequency response or sensitivity, and allows the user to conduct business as usual without the need to have conference participants check their PDA or mobile phone at the door.

Availability options for RF-Immunity products in the Clockaudio microphone range continues to grow. RF-Immunity models are highlighted throughout the catalogue with the blue crossed-circle logo:



Contents



02	Introduction
04	RF-Immunity Series
07	New Products
08 ~ 09	Dante Products
10	Boundary Accessories & Touch Switches
11 ~ 20	Boundary Microphones
15	Boundary Microphones & Touch Switches
22 ~ 25	Condenser Gooseneck Microphones
26 ~ 30	Ceiling & Suspended Microphones
31	Modular Microphones
32 ~ 35	Shock Mounts, Bases & Adapters
36	Dynamic Goosenecks Microphones
37	Pre Amps & PSUs
38	Headworn Microphones
39	Lavalier Microphones & Headset
40 ~ 41	Handheld Microphones
42 ~ 43	Intercom Systems
44 ~ 45	Wireless Systems
46	Wireless accessories
47	Product Index



○TIM-1000-CM

The Tracking Intelligent Microphone (TIM) breaks the mould for ceiling microphones. Designed for use in AV conference and huddle room applications. Low profile Ceiling Microphone with tracking ability and Adaptative Proximity Tracking Technology (APT). TIM tracks participants and follows them anywhere in the room while the APT constantly adjusts their levels. Other features include noise suppression, 3-band EQ, intuitive GUI, and an RGB ring for visual room status. Powered over ethernet, the device utilizes API control via UDP commands and comes with separate control and audio paths. Single audio channel output to Dante & AES67 networks. Designed for use in AV conference and huddle room applications. The microphone is constructed with UL 2043 rated plastics and Aluminium shell.

Features:

- Tracks meeting participants within a room.
- APT technology for best possible sound output.
- Eliminates unwanted steady state noise e.g. air conditioning, projectors.
- Built-in equalizer.
- Supports DANTE and AES67.
- Intuitive GUI through standard Web browser.
- Powered over Ethernet (PoE+).
- Separate control and data paths for added security.
- API commands via UDP.
- Easy setup and install.
- Finish: White

Models:

- TIM-1000-CM Ceiling Mount version

"Best new audio product"



TIM-1000-CM

○TIM-1000-PM-Kit

TIM-1000 top cover for pole mount application on a standard 2" inch pole (pole not included).



Dante[®] AES67

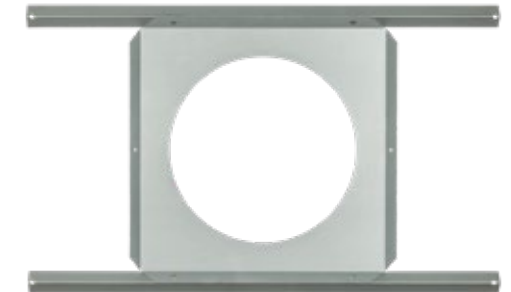
○TMR-1000

TIM-1000 Mud Ring for new construction drywall applications. Includes mounting ears to facilitate 16" or 24" OC stud mounting. Unit is constructed of 20 ga. CRS. Finish: black



○TSB-1000

Support bridge for TIM-1000.



○TSB-P-1000

Plenum rated enclosure plus support bridge for TIM-1000.



Model:	TIM-1000-CM
Type	Condenser microphone array
Operating Temperature	0 to 40 deg C
Storage Temperature	minus 20 to 60 deg C
Power Requirements	8W (42~57vDC, POE+, IEEE 802.3at)
Termination	RJ 45
Wiring Connections	shielded CAT 5e or better
Supplied Accessories	Suspension kit
Finish	White
Weight	1.35Kg (3lbs)
Dimensions	Diameter: 270mm (10.63") Height: 75mm (2.95")

○ = RF-Immunity Version

CDT 100 MK2 Clockaudio Dante Transporter

The Clockaudio Dante Transporter is an advanced professional Dante communication product which combines audio and control transport using network based Dante protocol. By taking advantage of the advanced Dante technology and based on the high performance and pre-configurable hardware platform, this product transfers audio and control signals via widely used Ethernet and is able to guarantee perfect sound quality.

The CDT 100 Clockaudio Dante Transporter mk2 features Audio and control signals transported via Dante Network. It includes 4x Microphone audio inputs using 3 pin Phoenix connectors for Balanced connectivity. Provides Phantom Power for each mic input. Daisy chain capabilities. Connects directly to TS control input ports with RJ45 connectors, RGB LED and other Clockaudio control Devices. Also connects directly to ARM-C controller through an RJ12 port.. Compatible with any Dante or AES67 capable audio DSP. (Power supply sold separately)

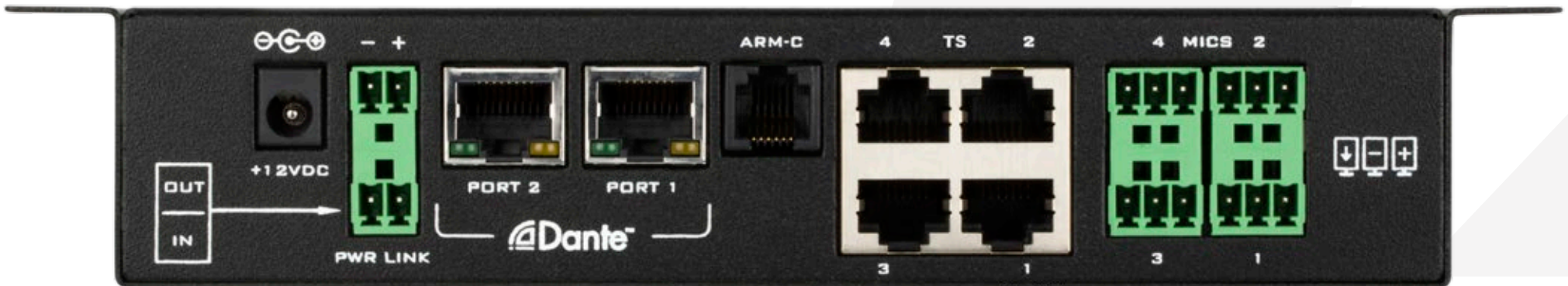
Applications:

This product has a variety of uses including but not limited to boardrooms, conference rooms, video conference rooms or any other place where multiple table microphones and control devices need to connect to the AV equipment cabinet.

Please make sure to consult our frequently updated compatibility chart before purchasing.

Models:

CDT 100MK2-UDP
CDT 100MK2-ConMon



Features:

- Easy to install with under table mounting.
- Audio and control signals transported over Dante.
- 4 audio inputs.
- Multiple units may be daisy chained. (maximum of 6 units on a single CAT-5)
- Provides Phantom Power for each mic input.
- 4 RJ45 Touch Switch ports compatible with all logic enabled Clockaudio devices including:
 - direct connection to TS003, TS005, CRM202S-RF, CRM203S-RF, CS-S Series, SM80S, S80S & SWP-2
 - direct connection to ARM-C controller & CCRM4000 Retractable Microphone
- Open API for interfacing with Control Systems
- Compatible with all Dante enabled DSPs and most logic control systems*
- Power Supply for the CDT-100 is sold separately
- AES67 Compatible (See our compatibility chart for details)

Dante® AES67

Model:	CDT 100
Input Type	Balanced and RF Filtered
Gain	0dB
Input Impedance	> 1.8K Ohms
Phantom Power	+48v, software selectable
EIN	-115dBu
System THD+N	<0.01% at any gain, input signal 3dB below maximum
Physical Level	Standard Ethernet
Required Cable Quality	CAT-5
Transmission Speed	100 Mbps

OC 303-D-P

Dante compatible Tri Element Array Hanging Condenser Microphone with three high quality Cardioid capsules covering 360° Pickup angles. Each zone covered by the capsules is approximately 120°. Features ceiling rose with built-in RGB ring and Plenum rated ceiling box with PoE powered, Dante & AES67 compatible interface with built-in RF Filter. Supplied with 2.5 metres (8ft) microphone cable. Designed for unobtrusive 360° high quality pickup necessary in places such as boardrooms, conferencing, court rooms and other venues.

Features:

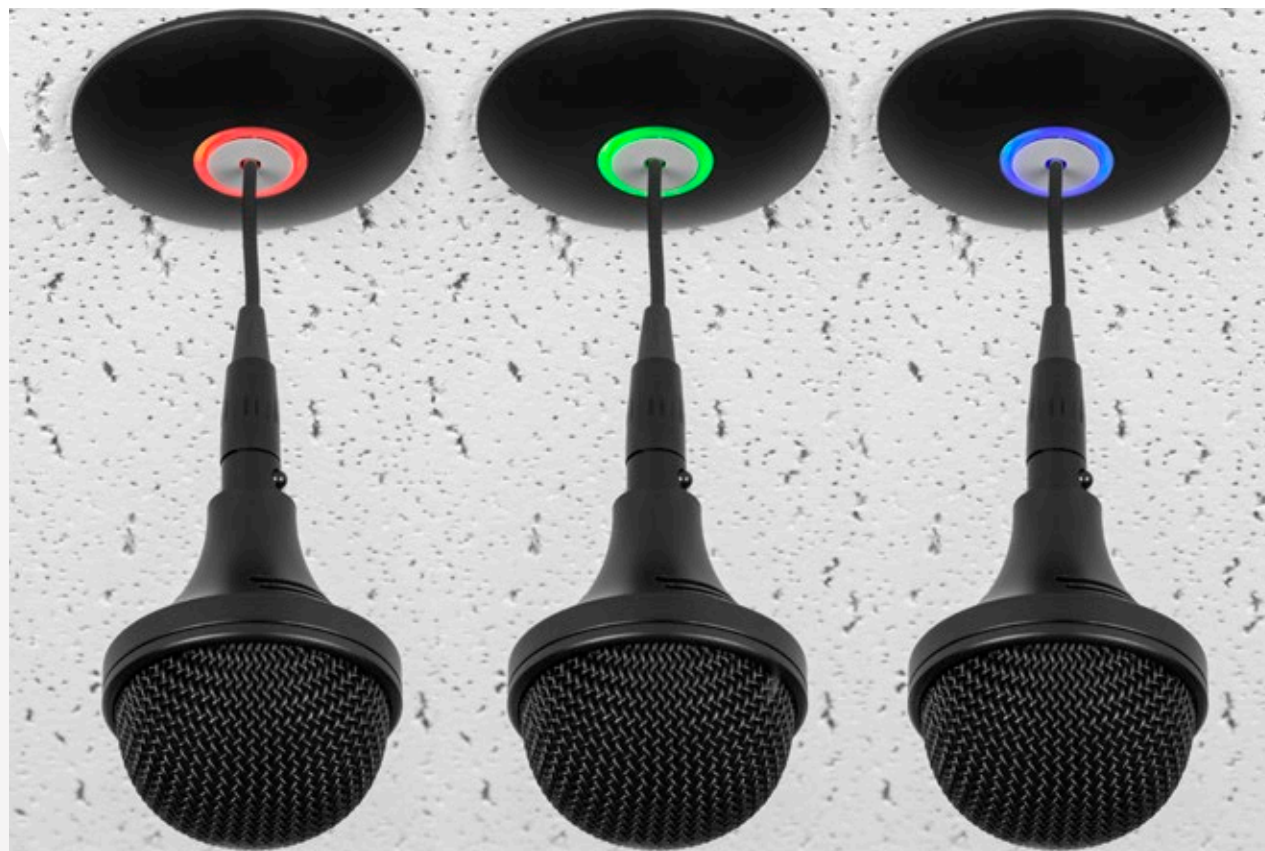
- Contains 3 high sensitivity cardioid capsules.
- Designed to capture 360° pickup.
- Engineered in high quality brass.
- Includes a plenum ceiling enclosure & Ceiling rose with RGB LED ring indicator.
- Supplied with 2.5 Metre cable terminated with a Mini XLR connector.
- Finished in Satin Black or Gloss white
- RJ45 PoE Dante / AES67 Network out for easy connection to a compatible DSP.

Models:

- | | |
|---|--|
| Black | White |
|  C 303-D-P-UDP |  C 303W-D-P-UDP |
|  C 303-D-P-ConMon |  C 303W-D-P-ConMon |

Model:	C 303-D-P
Type	Condenser (Back Electret)
Polar Pattern	360° (3x 120° cardioid)
Frequency Response	50Hz~20KHz
Sensitivity	-40dB ± 3dB @ 1 KHz (0dB = 1 v/Pa)
Impedance	200 Ohms
S/N Ratio	69dB(A)
Maximum SPL	125dB at 1 KHz 1% THD
Network Audio Transmission Standard	Dante / AES67
Transmission Speed	100 Mbps
PoE Class	Class 0 802.3af PoE PD compliant
Finish	Satin Black or Gloss White

Dante® AES67



ARM-C Digital four channel motor Control Box

Digital four channel motor Control Box for use with the ARM series of motorized through desk Boundary microphones.

Features:

- Power LED indicator Blue.
- Ports: 2 x RJ12 for DSP and Linking to another ARM-C control box.
- Logic input port will simultaneously raise / lower all ARM microphones.
- Powered by ARM-PSU 4, an external 12vDC switched mode Power Supply.
- DC connections to the box are via a 2 terminal removable Phoenix connector.
- All microphones and controller boxes are preset / calibrated at the factory.
- Capable of operating up to 4 ARM microphones.

Models:
ARM-C



Model:	ARM-C
Weight	0.2Kgs
Finish	Black
Dimension	Length: 85mm Width: 198mm Height: 42mm

ARM-PSU 4 Power Supply

ARM-PSU 4 is a switched mode power supply capable of delivering regulated 12vDC @ 5 Amps. For use with 4 X ARM-C Control Box. May be used on mains supplies from 100~230vAC. Mains cable is detachable IEC design.

Features:

- For use with the ARM-C Control Box
- Power supply is capable of delivering regulated 12vDC @ 5 Amps.
- For use with up to 4 X ARM C Control Boxes.
- Can be used on mains supplies from 100~230vAC.
- Mains cable is detachable IEC design.

Models:
ARM-PSU 4



Model:	ARM-PSU 4
Weight	0.32Kgs
Finish	Black
Dimension	Length: 120mm Width: 58mm Height: 35mm

TS 003 Touch Switch RGB

Providing multiple colours, the TS 003 capacitive touch switch provides clear and precise visual operational status. With no moving parts, low-profile mounting and encapsulated electronics, TS003 also provides protection from office contaminants affecting its operation. Comes with modular under desk mount TS-C1 controller for easy install.

Features:

- Easy to install.
- Low profile at surface level.
- Designed for remote switching.
- RGB LED
- Electronic circuitry is fully encapsulated to prevent liquids or other contaminants from shortening the operational life.
- 12vDC operation.
- Current consumption 70mA.
- Supplied with 200mm (8") ribbon cable length, terminated with RJ45 connector and TS-C1.

Models:
TS 003



Model:	TS 003
LED Colour	Red, Green & Blue
Power Requirements	12vDC @ 70mA
Termination	RJ45 Plug Pins 1-7 used
Supplied Accessories	TS-C1
Finish	Clear Polycarbonate
Weight	41.3g
Dimensions	Head Height: 1.34mm (0.05") Head Diameter: 20mm (0.79") Body Height: 40mm (1.75") Body Diameter: 15mm (0.59")

SWP2

Through table microphone mount made from solid brass with electronic touch switch and RGB LED to give clear precise visual status of operation. Touch switch has no moving parts and the electronic circuitry is encapsulated to prevent liquids or other contaminants affecting its operation. Used in conjunction with DSP units and other electronic mute switching boxes to facilitate soft PTT, PTM and Latching Switching. Requiring 12vDC power.

Features:

- Easy to install.
- Low profile at surface level.
- Cutouts to support ARMF and CRMF.
- Switch plate integrated with the low profile TS 006 capacitive touch switch.
- TS 006 is self-calibrating and provides a RGB LED that can produce multi-colour combination for clear precise visual status of microphone or other devices.
- Terminated with RJ45 connector and supplied with a touch switch controller (TS-C1) allows connection via CAT 5E patch cable back to CDT-100 or directly to DSP.
- Finish: Black Nextel® or Satin Nickel.
- Also available in Nextel Suede Coating finishes (Custom Orders Only)

Models:
Black
SWP2

Nickel
SWP2N



Model:	SWP2
Power Requirements	12vDC @ 70mA
Termination	RJ45 Plug Pins 1-7 used
Supplied Accessories	TS-C1
Finish	Black Nextel or Satin Nickel
Weight	160g
Dimensions	Length: 92mm (3.6") Width: 64mm (2.5") Height: 2.60mm (0.1")



ARM 100-RF Retractable Digital Motorised Through-Table Boundary Omni-Directional Condenser Microphone

The ARM 100-RF is a boundary layer through-table omni-directional condenser microphone, with a built-in motorised mechanism that will allow the user to make the microphone disappear without having to physically touch it or remove it from the table. A positive (+2.5v to +12v) signal applied to the DSP control port will simultaneously activate all ARM motorised microphones connected to the ARM-C (control box M1 - M4 RJ45 motor output ports).

Features:

- Easy to install.
- Low profile at surface level.
- Robust brass construction.
- Omni-directional polar pattern.
- Built-In RF filter.
- Balanced output.
- Supplied with 2m (6.6 ft) 2 core + shield cable.
- Satin Nickel or Black Nextel finish.



ARMF 100-RF



ARM 100N-RF

Models:

- Black
ARM 100-RF
ARMF 100-RF
- Nickel
ARM 100N-RF
ARMF 100N-RF
- (F) Flush Mount Version compatible with SWP2 switch

Model:	ARM 100-RF
Type	Condenser (Back Electret)
Polar Pattern	Omni-Directional
Frequency Response	30Hz~20KHz
Sensitivity	-42.5dB ± 3dB @ 1 KHz (0dB = 1 v/Pa)
Impedance	200 Ohms
S/N Ratio	68dB(A)
Maximum SPL	120dB at 1 KHz 1% THD
Power Requirements	9~48v Phantom Power
Termination	Audio: Open ended Motor: RJ45
Dimensions	Above Table Deployed: 16mm (0.63") Diameter: 36mm (1.42") Below Table: 149mm (5.86") Diameter: 30mm (1.18")

ARM 102-RF Retractable Digital Motorised Through-Table Boundary Cardioid Condenser Microphone

The ARM 102-RF is a boundary layer through-table cardioid condenser microphone, with a built-in motorised mechanism that will allow the user to make the microphone disappear without having to physically touch it or remove it from the table. A positive (+2.5v to +12v) signal applied to the DSP control port will simultaneously activate all ARM motorised microphones connected to the ARM-C (control box M1 - M4 RJ45 motor output ports).

Features:

- Easy to install.
- Low profile at surface level.
- Robust brass construction.
- Cardioid polar pattern.
- Built-In RF filter.
- Balanced output.
- Supplied with 2m (6.6 ft) 2 core + shield cable.
- Satin Nickel or Black Nextel finish.



ARMF 102-RF



ARM 102N-RF

Models:

- Black
ARM 102-RF
ARMF 102-RF
- Nickel
ARM 102N-RF
ARMF 102N-RF
- (F) Flush Mount Version compatible with SWP2 switch

Model:	ARM 102-RF
Type	Condenser (Back Electret)
Polar Pattern	Half Cardioid
Frequency Response	50Hz~18KHz
Sensitivity	-37dB ± 3dB @ 1 KHz (0dB = 1 v/Pa)
Impedance	200 Ohms
S/N Ratio	69dB(A)
Maximum SPL	120dB at 1 KHz 1% THD
Power Requirements	9~48v Phantom Power
Termination	Audio: Open ended Motor: RJ45
Dimensions	Above Table Deployed: 16mm (0.63") Diameter: 36mm (1.42") Below Table: 149mm (5.86") Diameter: 30mm (1.18")

ARM 202-RF Retractable Digital Motorised Through-Table Dual Element Cardioid Condenser Microphone

The ARM 202-RF is a boundary layer through-table dual cardioid condenser microphone, with a built-in motorised mechanism that will allow the user to make the microphone disappear without having to physically touch it or remove it from the table. A positive (+2.5v to +12v) signal applied to the DSP control port will simultaneously activate all ARM motorised microphones connected to the ARM-C (control box M1 - M4 RJ45 motor output ports).

Features:

- Easy to install.
- Low profile at surface level.
- Robust brass construction.
- Dual Cardioid polar pattern.
- Built-In RF filters.
- 2 x balanced outputs.
- Supplied with 2m (6.6 ft) dual 2 core + shield cable.
- Satin Nickel or Black Nextel finish.



Models:

- Black
ARM 202-RF
- Nickel
ARM 202N-RF

Model:	ARM 202-RF
Type	Condenser (Back Electret)
Polar Pattern	Cardioid
Frequency Response	50Hz~18KHz
Sensitivity	-37dB ± 3dB @ 1 KHz (0dB = 1 v/Pa)
Impedance	200 Ohms
S/N Ratio	69dB(A)
Maximum SPL	125dB at 1 KHz 1% THD
Power Requirements	9~48v Phantom Power
Termination	Audio: Open ended Motor: RJ45
Dimensions	Above Table Deployed: 15mm (0.59") Diameter: 63mm (2.5") Below Table: 149mm (5.86") Diameter: 58mm (2.25")

CRM 100-RF Retractable Through-Table Boundary Omni-Directional Condenser Microphone

The CRM 100-RF is a boundary layer through-table omni-directional condenser microphone, with a built-in mechanism that will allow the user to make the microphone 'disappear' without having to physically remove it from the table. This is achieved by simply pressing the top of the microphone downwards until it locks, then by pressing the microphone again, it will raise itself back to its original position above the surface of the table. Engineered in high quality brass with built-in shock mount and RF filter.

Features:

- Easy to install.
- Low profile at surface level.
- Unique ability to lock capsule away from sight when not in use.
- Robust brass construction.
- Omni-directional polar pattern.
- Built-in RF filter.
- Balanced output.
- Supplied with 2m (6.6 ft) 2 core + shield cable.
- Satin Nickel or Black Nextel finish.
- Integral reed contact switch designed to be used for remote switching by DSP.



CRMF 100-RF

Models:

- Black **CRM 100-RF**
- Nickel **CRM 100N-RF**
- CRMF 100-RF**
- CRMF 100N-RF**

(F) Flush Mount Version compatible with SWP2 switch

Model:	CRM 100-RF
Type	Condenser (Back Electret)
Polar Pattern	Omni-Directional
Frequency Response	30Hz~20KHz
Sensitivity	-42.5dB ± 3dB @ 1 KHz (0dB = 1 v/Pa)
Impedance	200 Ohms
S/N Ratio	68dB(A)
Maximum SPL	120dB at 1 KHz 1% THD
Power Requirements	9~48v Phantom Power
Termination	Open ended
Dimensions	Above Table Deployed: 15mm (0.63") Diameter: 36mm (1.42") Below Table: 111mm (4.37") Diameter: 30mm (1.18")



CRM 100N-RF

CRM 102-RF Retractable Through-Table Boundary Half-Cardioid Condenser Microphone

The CRM 102-RF is a boundary layer through-table cardioid condenser microphone, with a built-in mechanism that will allow the user to make the microphone 'disappear' without having to physically remove it from the table. This is achieved by simply pressing the top of the microphone downwards until it locks, then by pressing the microphone again, it will raise itself back to its original position above the surface of the table. Engineered in high quality brass with built-in shock mount and RF filter.

Features:

- Easy to install.
- Low profile at surface level.
- Unique ability to lock capsule away from sight when not in use.
- Robust brass construction.
- Cardioid polar pattern.
- Built-in RF filter.
- Balanced output.
- Supplied with 2m (6.6 ft) 2 core + shield cable.
- Satin Nickel or Black Nextel finish.
- Integral reed contact switch designed to be used for remote switching by DSP.



CRMF 102-RF

Models:

- Black **CRM 102-RF**
- Nickel **CRM 102N-RF**
- CRMF 102-RF**
- CRMF 102N-RF**

(F) Flush Mount Version compatible with SWP2 switch

Model:	CRM 102-RF
Type	Condenser (Back Electret)
Polar Pattern	Half-Cardioid
Frequency Response	50Hz~18KHz
Sensitivity	-37dB ± 3dB @ 1 KHz (0dB = 1 v/Pa)
Impedance	200 Ohms
S/N Ratio	69dB(A)
Maximum SPL	120dB at 1 KHz 1% THD
Power Requirements	9~48v Phantom Power
Termination	Open ended
Dimensions	Above Table Deployed: 16mm (0.63") Diameter: 36mm (1.42") Below Table: 111mm (4.37") Diameter: 30mm (1.18")



CRM 102N-RF

CRM 200S-RF Retractable Through-Table Boundary Omni-Directional Condenser Microphone with Tri-Color Halo Ring and Touch Sensitive Switch

The CRM 200S-RF is a boundary layer through-table omni-directional condenser microphone, includes a touch sensitive Switch with Tri-Colour LED Halo mounted into the top of the microphone housing. The CRM 200S-RF has a built-in mechanism that allows the user to make the microphone disappear without having to physically remove it from the table. Simply by pressing the top of the microphone downwards until it locks, then by pressing the microphone again it will raise itself back to its original position above the surface of the table. It is designed to be placed in the middle of the conference table. Engineered in high quality brass with built-in shock mount and RF filter.

Features:

- Omni-Directional polar pattern.
- Integral reed contact switch designed to be used for remote switching by DSP.
- Touch sensitive switch with RGB with TS-C1.
- Easy to install.
- Low profile at surface level.
- Unique ability to lock capsule away from sight when not in use.
- Robust brass construction.
- Built-In RF filter.
- Balanced output.
- Inbuilt Phantom Power module.
- Supplied with 2m (6.6 ft) 2 core + shield cable.
- Black Nextel or Satin Nickel.

Models:

- Black **CRM 200S-RF**
- Nickel **CRM 200SN-RF**

Model:	CRM 200S-RF
Type	Condenser (Back Electret)
Polar Pattern	Omni-Directional
Frequency Response	50Hz~18KHz
Sensitivity	-37.5dB ± 3dB @ 1 KHz (0dB = 1 v/Pa)
Impedance	200 Ohms
S/N Ratio	68dB(A)
Maximum SPL	125dB at 1 KHz 1% THD
Power Requirements	9~48v Phantom Power
Supplied Accessories	TS-C1
Termination	Audio: Open ended Touch Switch: CAT5 cable terminated via TS-C1 with RJ45
Dimensions	Above Table Deployed: 15mm (0.59") Diameter: 63mm (2.5") Below Table: 112mm (4.41") Diameter: 56.5mm (2.22")



◦ CRM 202-RF Retractable Through-Table Boundary Dual Element Condenser Microphone

The CRM 202-RF is a dual element boundary layer through table cardioid condenser microphone with a built-in mechanism that will allow the user to make the microphone disappear without having to physically remove it from the table. This is achieved by simply pressing the top of the microphone downwards until it locks; then by pressing the microphone again it will raise itself back to its original position above the surface of the table. It is designed to be placed in the middle of the conference table, with each element facing the participants. Engineered in high quality brass with built-in shock mount and RF filters.

Features:

- Offering two independently wired microphones.
- Integral reed contact switch designed to be used for remote switching by DSP.
- Dual Cardioid polar pattern.
- Easy to install.
- Low profile at surface level.
- Unique ability to lock capsule away from sight when not in use.
- Robust brass construction.
- Built-In RF filters.
- 2 x balanced outputs.
- Inbuilt Phantom Power modules.
- Supplied with 2 x 2m (6.6 ft) 2 core + shield cable.
- Black Nextel or Satin Nickel.

Models:

- Black **CRM 202-RF** Nickel **CRM 202N-RF**

Model:	CRM 202-RF
Type	Condenser (Back Electret)
Polar Pattern	2 x Half-Cardioid
Frequency Response	50Hz~18KHz
Sensitivity	-37dB ± 3dB @ 1 KHz (0dB = 1 v/Pa)
Impedance	200 Ohms
S/N Ratio	69dB(A)
Maximum SPL	125dB at 1 KHz 1% THD
Power Requirements	9~48v Phantom Power
Termination	Open ended
Dimensions	Above Table Deployed: 15mm (0.59") Diameter: 63mm (2.48") Below Table: 112mm (4.41") Diameter: 56.5mm (2.22")



◦ CRM 202S-RF Retractable Through-Table Dual Element Cardioid Condenser Microphone with Tri-Color Halo Ring and Touch Sensitive Switch

The CRM 202S-RF is a boundary layer through-table cardioid condenser microphone, includes a touch sensitive Switch with Tri-Colour LED Halo mounted into the top of the microphone housing. The CRM 202S-RF has a built-in mechanism that allows the user to make the microphone disappear without having to physically remove it from the table. Simply by pressing the top of the microphone downwards until it locks, then by pressing the microphone again it will raise itself back to its original position above the surface of the table. It is designed to be placed in the middle of the conference table, with each element facing the participants. Engineered in high quality brass with built-in shock mount and RF filters.

Features:

- Offering two independently wired microphones.
- Integral reed contact switch designed to be used for remote switching by DSP.
- Dual Cardioid polar pattern.
- Touch sensitive switch with RGB.
- Easy to install.
- Low profile at surface level.
- Unique ability to lock capsule away from sight when not in use.
- Robust brass construction.
- Built-In RF filters.
- 2 x balanced outputs.
- Inbuilt Phantom Power modules.
- Supplied with 2 x 2m (6.6 ft) 2 core + shield cable.
- Black Nextel or Satin Nickel.

Models:

- Black **CRM 202S-RF** Nickel **CRM 202SN-RF**

Model:	CRM 202S-RF
Type	Condenser (Back Electret)
Polar Pattern	2 x Half-Cardioid
Frequency Response	50Hz~18KHz
Sensitivity	-37dB ± 3dB @ 1 KHz (0dB = 1 v/Pa)
Impedance	200 Ohms
S/N Ratio	69dB(A)
Maximum SPL	125dB at 1 KHz 1% THD
Power Requirements	9~48v Phantom Power
Supplied Accessories	TS-C1
Termination	Audio: Open ended Touch Switch: CAT5 cable terminated via TS-C1 with RJ45
Dimensions	Above Table Deployed: 15mm (0.59") Diameter: 63mm (2.5") Below Table: 112mm (4.41") Diameter: 56.5mm (2.22")



CRM 203-RF Retractable Through-Table Boundary Tri Element Condenser Microphone

The CRM 203-RF is a triple element boundary layer through table cardioid condenser microphone with a built-in mechanism that will allow the user to make the microphone disappear without having to physically remove it from the table. This is achieved by simply pressing the top of the microphone downwards until it locks, then by pressing the microphone again, it will raise itself back to its original position above the surface of the table. It is designed to be placed in the middle of the conference table, with each element facing the participants. Engineered in high quality brass with built-in shock mount and RF filters.

Features:

- Offering three independently wired microphones.
- Integral reed contact switch designed to be used for remote switching by DSP.
- Tri Cardioid polar pattern.
- Easy to install.
- Low profile at surface level.
- Unique ability to lock capsule away from sight when not in use.
- Robust brass construction.
- Built-In RF filters.
- 3 x balanced outputs.
- Inbuilt Phantom Power modules.
- Supplied with 3 x 2m (6.6 ft) 2 core + shield cable.
- Black Nextel or Satin Nickel.

Models:

- Black **CRM 203-RF**
- Nickel **CRM 203N-RF**

Model:	CRM 203-RF
Type	Condenser (Back Electret)
Polar Pattern	3 x Cardioid
Frequency Response	50Hz~18KHz
Sensitivity	-37dB ± 3dB @ 1 KHz (0dB = 1 v/Pa)
Impedance	200 Ohms
S/N Ratio	69dB(A)
Maximum SPL	125dB at 1 KHz 1% THD
Power Requirements	9~48v Phantom Power
Termination	Open ended
Dimensions	Above Table Deployed: 15mm (0.59") Diameter: 63mm (2.48") Below Table: 112mm (4.41") Diameter: 56.5mm (2.22")



CRM 203S-RF Retractable Through-Table Tri Element Cardioid Condenser Microphone with Tri-Color Halo Ring and Touch Sensitive Switch

The CRM 203S-RF is a boundary layer through-table cardioid condenser microphone, includes a touch sensitive Switch with Tri-Colour LED Halo mounted into the top of the microphone housing. The CRM 203S-RF has a built-in mechanism that allows the user to make the microphone disappear without having to physically remove it from the table. Simply by pressing the top of the microphone downwards until it locks, then by pressing the microphone again, it will raise itself back to its original position above the surface of the table. It is designed to be placed in the middle of the conference table, with each element facing the participants. Engineered in high quality brass with built-in shock mount and RF filters.

Features:

- Offering three independently wired microphones.
- Integral reed contact switch designed to be used for remote switching by DSP.
- Tri Cardioid polar pattern.
- Touch sensitive switch with RGB and TS-C1.
- Easy to install.
- Low profile at surface level.
- Unique ability to lock capsule away from sight when not in use.
- Robust brass construction.
- Built-In RF filters.
- 3 x balanced outputs.
- Inbuilt Phantom Power modules.
- Supplied with 3 x 2m (6.6 ft) 2 core + shield cable.
- Black Nextel or Satin Nickel.

Models:

- Black **CRM 203S-RF**
- Nickel **CRM 203SN-RF**

Model:	CRM 203S-RF
Type	Condenser (Back Electret)
Polar Pattern	3 x Cardioid
Frequency Response	50Hz~18KHz
Sensitivity	-37dB ± 3dB @ 1 KHz (0dB = 1 v/Pa)
Impedance	200 Ohms
S/N Ratio	69dB(A)
Maximum SPL	125dB at 1 KHz 1% THD
Power Requirements	9~48v Phantom Power
Supplied Accessories	TS-C1
Termination	Audio: Open ended Touch Switch: CAT5 cable terminated via TS-C1 with RJ45
Dimensions	Above Table Deployed: 15mm (0.59") Diameter: 63mm (2.5") Below Table: 112mm (4.41") Diameter: 56.5mm (2.22")



C 003E-RF / C 004E-RF Through-Table Boundary Microphones

Omni-directional (C 003E) or Cardioid (C 004E) boundary layer condenser microphones designed for a wide range of installed audio, conferencing or security applications.

- Features:**
- Engineered in high quality brass.
 - Built-in RF Filter.
 - Balanced output.
 - Simple through-table shock mounting.
 - Finished in satin black or matte white.

- Models:**
- Black
 - **C 003E-RF**
 - **C 004E-RF**
 - White
 - **C 003EW-RF**
 - **C 004EW-RF**



Model:	C 003E-RF	C 004E-RF
Type	Condenser (Back Electret)	
Polar Pattern	Omni-Directional	Cardioid
Frequency Response	20Hz~20KHz	100Hz~16KHz
Sensitivity	-42dB ± 3dB @ 1 KHz (0dB = 1 v/Pa)	-37dB
Impedance	200 Ohms	
S/N Ratio	58dB(A)	69dB(A)
Maximum SPL	120dB at 1 KHz 1% THD	125dB at 1 KHz 1% THD
Power Requirements	9~48v Phantom Power	
Termination	Male 3 pin XLR	
Weight	113g (4oz)	103g (3.6oz)

C 011E-RF / C 012E-RF Through-Table Boundary Microphones

These through-table omni (C 011E-RF) and cardioid (C 012E-RF) microphones were created for applications demanding sonic quality, but also requiring an extremely robust housing within high traffic environments.

- Features:**
- Engineered in high quality brass.
 - Built-in RF Filter.
 - Balanced output.
 - Simple through-table shock mounting.
 - Finished in satin black or nickel.

- Models:**
- Black
 - **C 011E-RF**
 - **C 012E-RF**
 - Nickel
 - **C 011EN-RF**
 - **C 012EN-RF**



Model:	C 011E-RF	C 012E-RF
Type	Condenser (Back Electret)	
Polar Pattern	Omni-Directional	Cardioid
Frequency Response	50Hz~20KHz	50Hz~18KHz
Sensitivity	-42dB ± 3dB @ 1 KHz (0dB = 1 v/Pa)	-37dB
Impedance	200 Ohms	
S/N Ratio	58dB(A)	69dB(A)
Maximum SPL	120dB at 1 KHz 1% THD	
Power Requirements	9~48v Phantom Power	
Termination	Male 3 pin XLR	
Weight	112g (3.95oz)	126g (4.45oz)

TS 005 Litetouch Tri-Color Halo Ring & Touch Pad Switch

The TS 005 capacitive touch switch is specially designed for use with Clockaudio's through table microphones. With no moving parts, low-profile mounting and encapsulated electronics, TS 005 provides multiple colours, clear and precise visual operational status as well as protection from contaminants affecting its operation. Comes with modular under desk mount TS-C1 for easy install.

The touch sensitive electronic switch is of a lightweight polycarbonate construction. The electronic touch switch is fitted with 5 RGB LED's offering a multi-colour status. The touch sensitive switch pad is used for pop / click free operation when activating a Microphone.

Suitable for fitting Clockaudio's C 003E-RF, C 004E-RF, C 011E-RF, C 012E-RF microphones, SM 10 and SM 20-RF shock mounts.

- Features:**
- RGB LED provides multi-colour combination.
 - Easy to install.
 - Low profile.
 - Programmable via DSP to operate in PTT, PTM or latching modes.
 - 12vDC operation.
 - Fitted with 200mm cable that connects to TS-C1.

- Models:**
- Black
 - **TS 005**
 - White
 - **TS 005W**



Model:	TS 005
Type	Tri-Color Halo ring RGB & Touch Sensitive Switch
LED Color	Red, Green & Blue
Power Requirements	12vDC (Regulated) @ 140mA
Termination	RJ45 Plug Pins 2-7 used
Supplied Accessories	TS-C1, under table shock mount, nylon washer

S 80S Series Through-Table Microphone Mount

Low profile through table Microphone mount with Bi-Colour LED indicator and Pre-Wired Latching or PTT Switch suitable for use with C 003E-RF, C 004E-RF, C 011E-RF, C 012E-RF microphones, SM 10 and SM 20-RF shock mounts.

- Features:**
- All metal construction.
 - Bi-Colour LED indicator.
 - RJ 45 connector.
 - Pre-Wired for PTT or Latching switch.
 - Finish: Satin Black.

- Models:**
- LATCH
 - **S 80S LATCH**
 - PTT
 - **S 80S PTT**



Model:	S 80S
Operating Voltage	Selectable 5-12-24vDC (Regulated)
Termination	5 Core ribbon cable + RJ45 Connector
Dimensions	DIA 58mm (2.28")
Finish	Satin Black

CS-RF Series Boundary Layer Microphones

The CS Series (Consultant Series) was developed from recommendations of key consultants in boardroom AV integration. The goal was to minimise the number of microphones on the conference table, but also keeping in mind performance, ease of installation and aesthetics. The results for these recommendations are the CS 1-RF, CS 2-RF and CS 3-RF microphones.

The CS 2-RF is a dual element boundary layer condenser microphone, with a half-cardioid polar pattern. It is designed to be placed in the middle of the conference table, with each element facing the participants. This microphone accommodates bottom cable exit, for permanent mounting in boardroom situations. These microphones are made of solid brass and include a 2m cable with open-ended termination. The Phantom Power Adaptor (PPA) is incorporated in the brass housing and will accept 9~48v (Phantom Power).

Features:

- Immune to RF artefacts.
- Boundary Layer condenser Microphone.
- Half-cardioid polar pattern.
- Fully balanced.
- Engineered in high quality brass.
- Inbuilt Phantom Power Adaptor.
- Finished in Black Nextel or Satin Nickel.
- The CS-RF series is available in other customised colours and special finishes upon request

Models:

- | | |
|--|---|
| Black | Nickel |
|  CS 1-RF |  CS 1N-RF |
|  CS 2-RF |  CS 2N-RF |
|  CS 3-RF |  CS 3N-RF |
|  CS 4-RF |  CS 4N-RF |

Model:	CS-RF Series
Type	Condenser (Back Electret)
Polar Pattern	Half-Cardioid
Frequency Response	50Hz~18KHz
Sensitivity	-37dB ± 3dB @ 1 KHz (0dB = 1 v/Pa)
Impedance	200 Ohms
S/N Ratio	69dB(A)
Maximum SPL	120dB at 1 KHz 1% THD
Power Requirements	9~48v Phantom Power
Termination	Open ended

The CS 3-RF microphone has the same characteristics as the CS 2-RF with the addition of a third element. The CS 3-RF is to be positioned at the end of the conference table in order to capture the participants facing each other and also the participant sitting at the extremity of the table. If the participant at the end of the table is further away, it is then possible to use a combination of a CS 2-RF and CS 1-RF (single element version) to accommodate this situation.

The CS 4-RF completes the CS-RF Series microphone family, offering a 4-element microphone in a single housing. Like the CS 1, 2 and 3, the CS 4-RF offers half cardioid polar patterns and a bottom cable exit. The CS 4-RF can be positioned in the centre of a round or square conference table, giving maximum coverage from a small footprint. Engineered from high quality solid brass and finished in a durable non-reflective Black Nextel or Satin Nickel.



CS 1-RF - single element boundary microphone



CS 3-RF - triple element boundary microphone



CS 2N-RF - dual element boundary microphone



CS 4N-RF - quadruple element boundary microphone



CS S-RF Series Boundary Layer Microphones with Touch Sensitive Switch

The CS S-RF Series has the same characteristics as the CS-RF Series with the addition of a built-in electronic touch sensitive switch. Developed to minimise the number of Microphones on the conference table whilst maintaining high performance and ease of installation.

Features:

- Built-in RF Filter.
- Immune to RF artefacts.
- Boundary Layer condenser Microphone.
- Half-cardioid polar pattern.
- Built-in electronic capacitive touch switch with RGB Halo ring.
- Terminated with RJ 45 via TS-C1 for switching.
- Fully balanced.
- Engineered in high quality brass.
- Inbuilt Phantom Power Adaptor.
- Finished in Black Nextel or Satin Nickel.
- Touch switch requires connection to a DSP or LB001 mute control box.
- The CS S-RF Series is available in other customised colours and special finishes upon request.

Models:

- | | |
|---|--|
| Black | Nickel |
|  CS 1S-RF |  CS 1SN-RF |
|  CS 2S-RF |  CS 2SN-RF |
|  CS 3S-RF |  CS 3SN-RF |
|  CS 4S-RF |  CS 4SN-RF |



CS 1SN-RF - single element boundary microphone



CS 3SN-RF - triple element boundary microphone



CS 2SN-RF - dual element boundary microphone



CS 4SN-RF - quadruple element boundary microphone

Model:	CS S-RF Series
Type	Condenser (Back Electret)
Polar Pattern	Half-Cardioid
Frequency Response	50Hz~18KHz
Sensitivity	-37dB ± 3dB @ 1 KHz (0dB = 1 v/Pa)
Impedance	200 Ohms
S/N Ratio	69dB(A)
Maximum SPL	120dB at 1 KHz 1% THD
Power Requirements	9~48v Phantom Power
Supplied Accessories	TS-C1
Termination	Audio: Open ended Touch Switch: CAT5 cable terminated via TS-C1 with RJ45



○ C 002E-RF Low Profile Tabletop Boundary Microphone

Low profile Omni-Directional Boundary Layer Condenser Microphone. Ideal for applications such as conference tables, walls, floors, pianos, etc.

Features:

- Boundary Layer Condenser Microphone.
- RF friendly technology offering immunity from GSM (cellphones) and other sources of frequency interference.
- Omni-Directional Polar Pattern.
- Wide range smooth response.
- Very low profile.
- Supplied with a separate in-line Phantom Power Adaptor.
- Finish: Black Nextel® or Grey Nextel®.
- Also available in Nextel Suede Coating finishes (Custom Orders Only)

Models:

- 📶 C 002E-RF Black
- 📶 C 002EG-RF Grey



Model:	C 002E-RF
Type	Condenser (Back Electret)
Polar Pattern	Omni-Directional
Frequency Response	50Hz~18KHz
Sensitivity	-47dB ± 3dB @ 1 KHz (0dB = 1 v/Pa)
Impedance	200 Ohms
S/N Ratio	64dB(A)
Maximum SPL	120dB at 1 KHz 1% THD
Power Requirements	9~48v Phantom Power Adaptor
Termination	TA3F Mini XLR with PPA-RF
Weight	0.40Kg
Dimensions	Diameter 75mm (2.95") Height 12.5mm (0.492") with rubber feet

○ C 006E Low Profile Tabletop Boundary Microphone

Half-Cardioid Polar Pattern, table top, small, light and sensitive Boundary Layer Condenser Microphone. Designed for a wide range of Pro Audio applications including conference, lectern and theatre.

Features:

- Boundary Layer Condenser Microphone.
- Half-Cardioid Polar Pattern.
- Fully balanced.
- Low profile.
- Includes an built-in Phantom Power Adaptor.
- Switchable bass filter & -10db Switchable Pad.
- Finish: Black or Grey Nextel®.
- Also available in Nextel Suede Coating finishes (Custom Orders Only)

Models:

- C 006E Black
- C 006EG Grey



Model:	C 006E
Type	Condenser (Back Electret)
Polar Pattern	Half-Cardioid
Frequency Response	50Hz~18KHz
Sensitivity	-37dB ± 3dB @ 1 KHz (0dB = 1 v/Pa)
Impedance	200 Ohms
S/N Ratio	64dB(A)
Maximum SPL	120dB at 1 KHz 1% THD
Power Requirements	9~48v Phantom Power Adaptor
Termination	TA3F Mini XLR with PPA
Weight	0.16Kg
Dimensions	Diameter 42mm (1.65") Width 39mm (1.53") Height 17.25mm (0.68")

○ C 008E-RF Tabletop Boundary Microphone

Half-Cardioid boundary layer condenser microphone, particularly suitable for speech purposes in a wide range of pro and live sound applications including conference, lectern, theatre, places of worship and court rooms.

Features:

- Boundary Layer Condenser Microphone.
- RF friendly technology offering immunity from GSM (cellphones) and other sources of frequency interference.
- Half-Cardioid Polar Pattern.
- Fully balanced.
- Low profile.
- Includes an built-in Phantom Power Adaptor.
- Finish: Black or Grey Nextel®.
- Also available in Nextel Suede Coating finishes (Custom Orders Only)

Models:

- 📶 C 008E-RF Black
- 📶 C 008EG-RF Grey



Model:	C 008E-RF
Type	Condenser (Back Electret)
Polar Pattern	Half-Cardioid
Frequency Response	50Hz~18KHz
Sensitivity	-37dB ± 3dB @ 1 KHz (0dB = 1 v/Pa)
Impedance	200 Ohms
S/N Ratio	69dB(A)
Maximum SPL	125dB at 1 KHz 1% THD
Power Requirements	9~48v Phantom Power Adaptor
Termination	Male 3 Pin XLR
Weight	0.52Kg
Dimensions	Diameter 70mm (2.75") Height 22mm (0.8")

○ C 009E-RF Large Surface Tabletop Boundary Microphone

Omni-Directional Boundary Layer Microphone for use in a wide range of professional sound applications. The hemispherical Polar Pattern provides natural sound with a good sense of depth for optimum bass. Designed for easy use on large surfaces in a wide range of professional sound applications. Ideal for mounting on walls, floors, piano etc.

Features:

- Boundary Layer Condenser Microphone.
- RF friendly technology offering immunity from GSM (cellphones) and other sources of frequency interference.
- Omni-Directional Polar Pattern.
- Wide range smooth response.
- Low profile.
- Includes an in-line Phantom Power Adaptor.
- Finish: Black or Grey Nextel®.
- Also available in Nextel Suede Coating finishes (Custom Orders Only)

Models:

- 📶 C 009E-RF Black
- 📶 C 009EG-RF Grey



Model:	C 009E-RF
Type	Condenser (Back Electret)
Polar Pattern	Omni-Directional
Frequency Response	30Hz~20KHz
Sensitivity	-42dB ± 3dB @ 1 KHz (0dB = 1 v/Pa)
Impedance	200 Ohms
S/N Ratio	68dB(A)
Maximum SPL	120dB at 1 KHz 1% THD
Power Requirements	9~48v Phantom Power Adaptor
Termination	TA3F Mini XLR with PPA-RF
Weight	1.64Kg
Dimensions	Diameter 160mm (6.3") Height 9mm (0.35")

OC 007 Series Boundary Microphones

Omni-directional, boundary layer condenser microphones suitable for surveillance and recording in sensitive areas such as banks, airports, railway stations, court rooms, conference and convention centres. Very low profile and easily mounted with M12 x 1 nut and washer supplied. The microphone is made of a delrin construction and includes 39" (1 metre) of cable, with a choice of termination.

Features:

- Boundary Layer Condenser microphone.
- Omni-Directional.
- High quality engineering.
- Ease of mounting.
- Low visibility when mounted.
- Open ended, CPPW01 or PPA with XLR termination.
- Also available in Nextel Suede Coating finishes (Custom Orders Only)
- Non-reflective Delrin with non-conductive body (Non-RF only).
- 3 colour options (Black, White & Nickel).
- RF & Non-RF versions available.
- Water resistant option (Non-RF only).
- Bi-colour LED Red and Green (RF Version only).
- Brass construction (RF Version only).
- Finish: Matte Black, White or Nickel.

Models:

Termination

C 007 Standard

XLR
CAP 002 Line Level
CPPW 01

C 007 Water-Resistant

XLR
CAP 002 Line Level
CPPW 01

C 007 No Preamp

3.5mm Mono Connector

C 007 RF Immune

CPPW 01-RF
XLR-RF

C 007 RF Immune LED

XLR-RF

Black

C 007E
C 007LL
C 007-CPPW01

C 007E-WR
C 007LL-WR
C 007-CPPW01-WR

C 007JPM

C 007-RF
C 007E-RF

C 007E-RF-LED

White

C 007EW
C 007WLL
C 007W-CPPW01

C 007EW-WR
C 007WLL-WR
C 007W-CPPW01-WR

C 007WJPM

C 007W-RF
C 007EW-RF

C 007EW-RF-LED

Nickel

C 007N-RF
C 007EN-RF



C 007E



C 007EW



C 007E-RF



C 007EW-RF



C 007EN-RF



C 007E-RF-LED



C 007EW-RF-LED

Model:	C 007-RF / C 007E-RF / C 007E-RF-LED
Type	Condenser (Back Electret)
Polar Pattern	Omni-Directional
Frequency Response	50Hz~18KHz
Sensitivity	-37.5dB ± 3dB @ 1 KHz (0dB = 1 v/Pa)
Impedance	200 Ohms
S/N Ratio	68dB(A)
Maximum SPL	120dB at 1 KHz 1% THD
Power Requirements	9~48v Phantom Power Adaptor
Termination	CPPW 01-RF or PPA-RF

Model:	C 007LL / C 007LL-WR
Type	Condenser (Back Electret)
Polar Pattern	Omni-Directional
Frequency Response	50Hz~20KHz
Sensitivity	-42.5dB ± 3dB @ 1 KHz (0dB = 1 v/Pa)
S/N Ratio	40dB(A)
Maximum SPL	120dB at 1 KHz 1% THD
Power Requirements	12~24VDC
Optimum operating Requirements	6v
Termination	CAP 002

Model:	C 007E / C 007E-WR / C 007JPM / C 007-CPPW01 / C 007-CPPW01-WR
Type	Condenser (Back Electret)
Polar Pattern	Omni-Directional
Frequency Response	50Hz~20KHz
Sensitivity	-42.5dB ± 3dB @ 1 KHz (0dB = 1 v/Pa)
S/N Ratio	40dB(A)
Maximum SPL	120dB at 1 KHz 1% THD
Power Requirements	2~10v max via in line resistor
Optimum operating Requirements	6v
Termination	PPA with XLR, 3.5mm mono connector or CPPW 01

SEC 07 Hidden Omni-Directional Condenser Microphone

The SEC 07 Omni-Directional Condenser Microphone has the appearance of an ordinary smoke detector. Designed for hidden security / surveillance applications can be wall / ceiling mounted. Internal amplifier and switched sensitivity ensures that the audio input levels can be tailored according to the noise environment.

Features:

- Designed for security / surveillance applications.
- The SEC 07 hidden Omni-Directional Condenser Microphone is housed in a lookalike durable ABS ceiling mounted smoke detector.
- Typical pickup range is up to 50ft (15 Metres).
- Circuitry contains a rotary switch that offers 5 different preset sensitivities.
- Also contains an inbuilt line level preamplifier and 9~48v Phantom Power switchable for 12~24vDC operation.
- Red Led status led indicator.
- Universal mounting to electrical conduit boxes.
- Frequency response 50Hz~12KHz, Impedance 75 Ohms, Sensitivity 1.4 V/Pa.
- Finish: White.
- Also available in Nextel Suede Coating finishes (Custom Orders Only)

Models:
SEC 07



Model:	SEC 07
Type	Condenser (Back Electret)
Polar Pattern	Omni-Directional
Frequency Response	50Hz~12KHz
Sensitivity	1.4 (v/Pa)
Impedance	75 Ohms
S/N Ratio	68dB(A)
Power Requirements	9~48v Phantom Power Adaptor
Termination	Screw terminals
Weight	126g
Finish	White
Dimensions	Diameter 100mm (3.94") Height 45mm (1.77")

C 015E-RF / C 016E-RF Tabletop Boundary Microphones

New style omni-directional (C 015E-RF) and cardioid (C 016E-RF) boundary layer condenser microphones featuring programmable touch pad switching for professional AV applications such as meetings, conference and lectern installations. Optimised for speech clarity, these RF-immune boundary microphones feature built-in Phantom Power module and are finished in satin black.

Features:

- Immune to RF artefacts.
- C 015E-RF Omni-Directional Polar Pattern.
- C 016E-RF Cardioid Polar Pattern.
- Optimised for speech clarity.
- Programmable touch pad switching.
- Unobtrusive design.
- Built-in Phantom Power Module.
- Finish: Satin Black.
- Also available in Nextel Suede Coating finishes (Custom Orders Only)

Models:

- **C 015E-RF** Omni-Directional
- **C 016E-RF** Cardioid



C 015E-RF



C 016E-RF

Model:	C 015E-RF	C 016E-RF
Type	Condenser (Back Electret)	
Polar Pattern	Omni-Directional	Cardioid
Frequency Response	50Hz~20KHz	50Hz~18KHz
Sensitivity	-42dB ± 3dB @ 1 KHz (0dB = 1 v/Pa)	-37dB
Impedance	200 Ohms	
S/N Ratio	58dB(A)	69dB(A)
Maximum SPL	120dB at 1 KHz 1% THD	
Power Requirements	9~48v Phantom Power	
Termination	Male 5 pin XLR	
Weight	0.60Kg	0.74Kg
Dimensions	Length: 120mm (4.8") Width: 100mm (3.94") Height: 30mm (1.8")	

C 30H Through Chair / Panel Mount Boundary Omni-Directional Microphone

Through desk/ceiling/panel mount Boundary Layer Microphone. The microphone is constructed from high quality brass and includes filters offering immunity from GSM and other sources of frequency interference.

Features:

- RF friendly technology offering immunity from GSM (cellphones) and other sources of frequency interference.
- Low profile Back electret Condenser Microphone.
- Chair mount/panel mount boundary layer design with an Omni-Directional Polar Pattern.
- Designed for conferencing and security applications.
- The Microphone is constructed from high quality brass.
- Phantom Power Adaptor supply required 9~48v.
- Frequency response 50Hz~20KHz.
- Impedance 200 Ohms balanced output.
- Sensitivity -68dB ± 3dB @ 1KHz (0dB = 1V/Pa).
- Total Harmonic Distortion (THD) at an operating level of 120dB is no greater than 1%.
- Finish: Satin Black.
- Also available in Nextel Suede Coating finishes (Custom Orders Only)

Models:
C 30H



Model:	C 30H
Type	Condenser (Back Electret)
Polar Pattern	Omni-Directional
Frequency Response	50Hz~20KHz
Sensitivity	-68dB ± 3dB @ 1 KHz (0dB = 1 v/Pa)
Impedance	200 Ohms
S/N Ratio	68dB(A)
Power Requirements	9~48v Phantom Power through CPPW 01-RF
Termination	Open ended
Finish	Satin Black
Dimensions	Diameter 100mm (3.94") Height 45mm (1.77")



OC 3 Slimline Series

Stylish, slimline, flexible goosenecks with cardioid condenser microphone for use in boardrooms, conferencing and a wide variety of applications requiring unobtrusive and easily-detachable gooseneck microphones with consistent sound quality.

Features:

- 6mm slimline, flexible gooseneck.
- Mini XLR termination for easy interchange.
- Engineered in high quality brass.
- Finish: Satin Black or White (C 3100 & C 310-R only).
- Also available in Nextel Suede Coating finishes (Custom Orders Only)

Models:

- C 3100** 4" Full Flex
- C 310-R** 5" Rigid
- C 312-SR** 8" Semi-Rigid
- C 313-SR** 12" Semi-Rigid
- C 314-SR** 16" Semi-Rigid

These products are compatible with SM 20-RF, SM 80 Series, S 140-RF, PPA and PPA-RF.



• Includes W 2 windshield



C 3100



SM 80-RF / C 3100
Combinaison

SM 20-RF / C 3100
Combinaison

OC 3E-RF Series Goosenecks

Fully flexible / Semi-Rigid Cardioid Gooseneck Microphone. Terminated with 3 Pin Male XLR. Cardioid gooseneck microphone designed for superior quality voice reproduction required in boardrooms, house of worship, court rooms and other venues. The fast and easily detachable design makes this an ideal candidate for security and future upgrading. The microphone is made of a high quality brass construction using an 8mm flexible shaft.

Features:

- Response optimised for consistent sound quality / Immune to RF artefacts 800-1200MHZ.
- Unobtrusive design.
- Superior grade components.
- Engineered in high quality brass.
- Fully flexible and Semi-Rigid Gooseneck shaft.
- Includes or built-in Phantom Power Adaptor.
- Finish: Satin Black or White.
- Also available in Nextel Suede Coating finishes (Custom Orders Only)

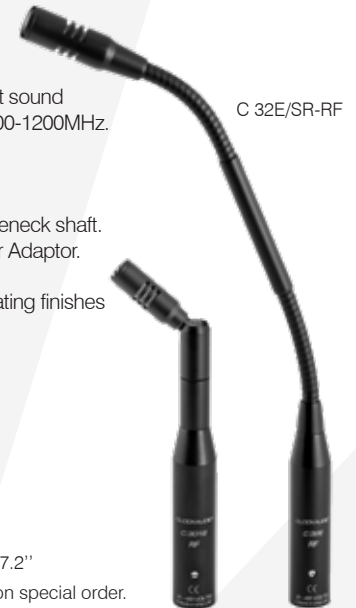
Base Models:

- C 31E-RF** 7.2"
- C 32E/SR-RF** 11.2"
- C 33E/SR-RF** 15.2"
- C 34E/SR-RF** 19.2"
- C 35E/SR-RF** 23.2"
- C 36E/SR-RF** 27.2"
- C 301E-RF** Knuckle Joint 7.2"

Full Flex configurations available on special order.



• Includes W 2 windshield



C 301E-RF

Model:	C 3100	C 310-R	C 312-SR / C 313-SR / C 314-SR
Type	Condenser (Back Electret)		
Polar Pattern	Cardioid		
Frequency Response	50Hz~18KHz		
Sensitivity	-37dB	-40dB	-40dB ± 3dB @ 1 KHz (0dB = 1 v/Pa)
Impedance	1.8K Ohms		
S/N Ratio	69dB(A)	69dB(A)	64dB(A)
Maximum SPL	125dB at 1 KHz 1% THD		
Power Requirements	9~48v Phantom Power Adaptor		
Termination	Female 3 pin Mini XLR		
Supplied Accessories	W 2 Windshield included		
Finish	Satin Black or White (C 3100 & C 310-R only)		

Model:	C 3E-RF Series
Type	Condenser (Back Electret)
Polar Pattern	Cardioid
Frequency Response	50Hz~18KHz
Sensitivity	-40dB ± 3dB @ 1 KHz (0dB = 1 v/Pa)
Impedance	200 Ohms
S/N Ratio	64dB(A)
Maximum SPL	125dB at 1 KHz 1% THD
Power Requirements	9~48v Phantom Power Adaptor
Termination	Male 3 pin XLR
Supplied Accessories	W 2 Windshield included
Finish	Satin Black or White

OC 3ES-RF Series Goosenecks

Gooseneck Cardioid Condenser Microphone fitted with silent operation reed switch and micro LED indicator. Designed for use in conference halls, places of worship, broadcasting and paging systems. The microphone is constructed with high quality brass using an 8mm flexible shaft.

Features:

- Response optimised for consistent sound quality.
- Unobtrusive design.
- Superior grade components.
- Engineered in high quality brass.
- Contains a miniature LED indicator to allow visual On/Off operation to the user.
- Pop free silent operation reed switch for power On/Off.
- Fully flexible and Semi-Rigid Gooseneck shaft.
- Includes is a Phantom Power Adaptor.
- Finish: Satin Black.
- Also available in Nextel Suede Coating finishes (Custom Orders Only)

Base Models:

- Ⓞ C 31ES-RF 7.2"
- Ⓞ C 32ES/SR-RF 11.2"
- Ⓞ C 33ES/SR-RF 15.2"
- Ⓞ C 34ES/SR-RF 19.2"
- Ⓞ C 35ES/SR-RF 23.2"
- Ⓞ C 36ES/SR-RF 27.2"
- Ⓞ C 301ES-RF Knuckle Joint 7.2"

Available on special order.



- Includes W 2 windshield



OC 3E-RF Halo Series Goosenecks

Gooseneck Cardioid Condenser Microphone fitted with halo LED indicator. Designed for use in conference halls, places of worship, broadcasting and paging systems. The microphone is constructed with high quality brass using an 8mm flexible shaft.

Features:

- Response optimised for consistent sound quality.
- Unobtrusive design.
- Superior grade components.
- Engineered in high quality brass.
- Fully flexible and Semi-Rigid Gooseneck shaft fitted with high brightness LED Halo.
- Includes Phantom Power Adaptor.
- Finish: Satin Black.
- Also available in Nextel Suede Coating finishes (Custom Orders Only)

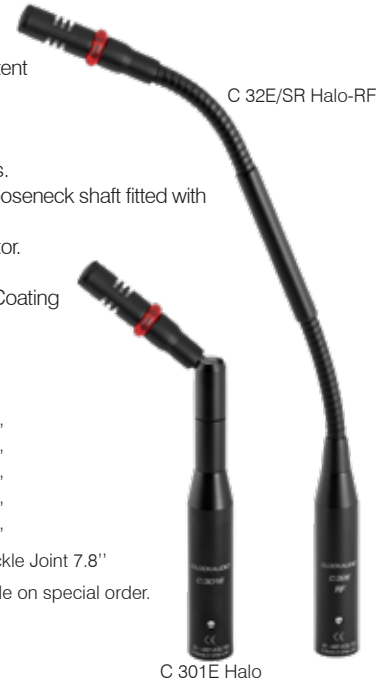
Base Models:

- Ⓞ C 31E Halo-RF 7.8"
- Ⓞ C 32E/SR Halo-RF 11.8"
- Ⓞ C 33E/SR Halo-RF 15.7"
- Ⓞ C 34E/SR Halo-RF 19.7"
- Ⓞ C 35E/SR Halo-RF 23.6"
- Ⓞ C 36E/SR Halo-RF 27.5"
- Ⓞ C 301E Halo Knuckle Joint 7.8"

Full Flex configurations available on special order.



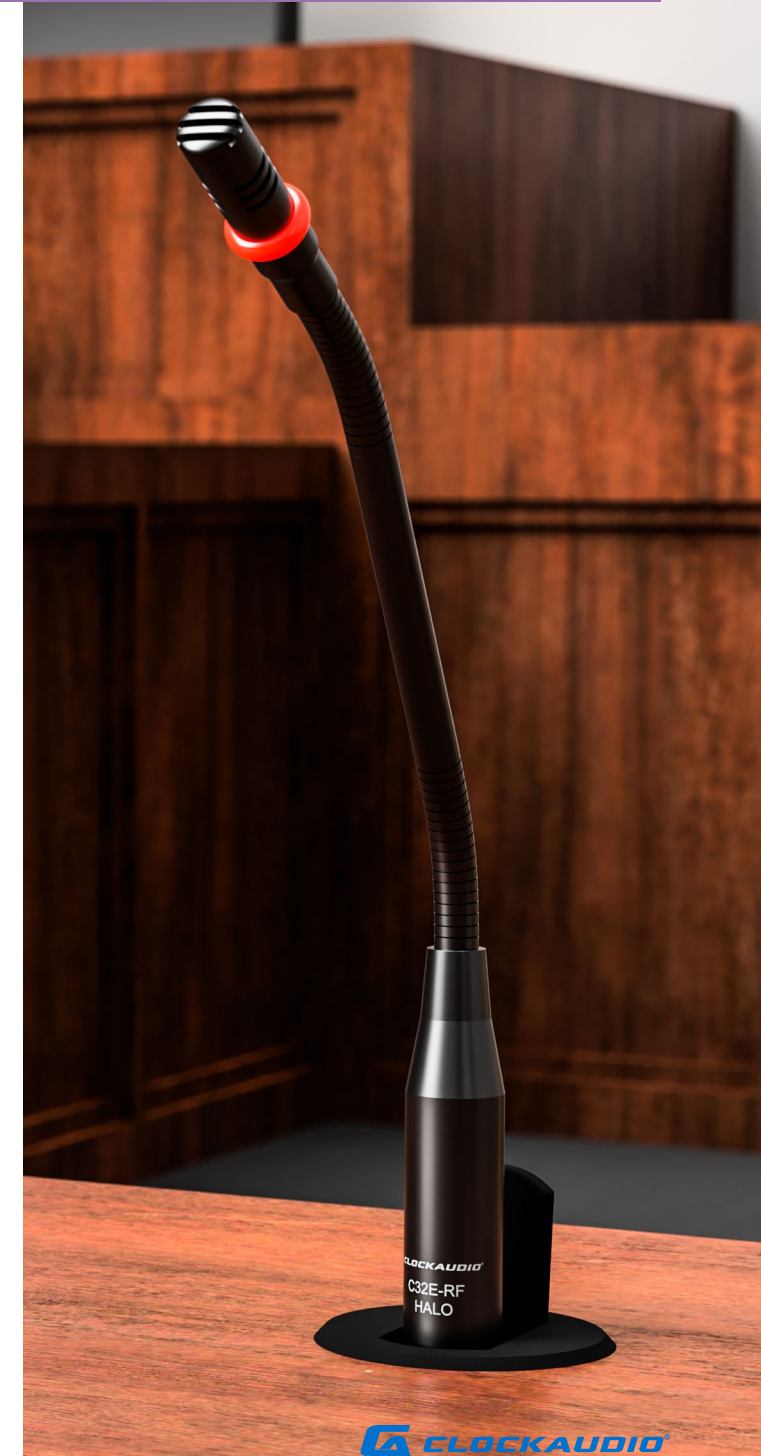
- Includes W 2 windshield



Model:	C 3ES-RF Series
Type	Condenser (Back Electret)
Polar Pattern	Cardioid
Frequency Response	50Hz~18KHz
Sensitivity	-40dB ± 3dB @ 1 KHz (0dB = 1 v/Pa)
Impedance	200 Ohms
S/N Ratio	64dB(A)
Maximum SPL	125dB at 1 KHz 1% THD
Power Requirements	9~48v Phantom Power Adaptor
Termination	Male 3 pin XLR
Supplied Accessories	W 2 Windshield included
Finish	Satin Black or White

Model:	C 3E-RF Halo Series
Type	Condenser (Back Electret)
Polar Pattern	Cardioid
Frequency Response	50Hz~18KHz
Sensitivity	-40dB ± 3dB @ 1 KHz (0dB = 1 v/Pa)
Impedance	200 Ohms
S/N Ratio	64dB(A)
Maximum SPL	125dB at 1 KHz 1% THD
Power Requirements	9~48v Phantom Power Adaptor
Termination	Male 5 pin XLR
Halo Power Requirements	12vDC @ 30mA
Supplied Accessories	W 2 Windshield included
Finish	Satin Black

Ⓞ = RF-Immunity Version



○ C 800 Series Goosenecks (Mini Shotgun)

Slim, mini shotgun, hyper-cardioid microphone developed for speech purposes in a wide range of pro and live sound applications including places of worship, conference and leisure centres, banks and financial trading centres.

Features:

- Optimised for speech clarity
- Slimline gooseneck
- Superior grade components
- Finish: Satin Black or White.
- Also available in Nextel Suede Coating finishes (Custom Orders Only)

Models:

- C 800** Black Open ended
- C 800E-RF** Black XLR
- C 800EW-RF** White XLR
- C 800ES-RF** Black XLR With ON/OFF Switch & LED



• Includes W 8 windshield



C 800E-RF

Model:	C 800 Series
Type	Condenser (Back Electret)
Polar Pattern	Hyper-Cardioid
Frequency Response	50Hz~18KHz
Sensitivity	-47dB ± 3dB @ 1 KHz (0dB = 1 v/Pa)
Impedance	200 Ohms
S/N Ratio	64dB(A)
Maximum SPL	125dB at 1 KHz 1% THD
Power Requirements	9~48v Phantom Power Adaptor
Termination	Male 3 pin XLR
Supplied Accessories	W 8 Windshield included
Finish	Satin Black or White

○ C 801 Series Knuckle Joint (Mini Shotgun)

Slim, mini shotgun, hyper-cardioid condenser microphone suitable for speech in a wide range of pro and live sound applications including places of worship, conference and leisure centres, banks and financial trading centres. Fitted with a knuckle joint giving both lateral and vertical adjustment.

Features:

- Optimised for speech clarity
- Knuckle joint.
- Superior grade components
- Finish: Satin Black or White.
- Also available in Nextel Suede Coating finishes (Custom Orders Only)

Models:

- C 801** Black Open ended
- C 801W** White Open ended
- C 800E-RF** Black XLR
- C 800EW-RF** White XLR
- C 800ES-RF** Black XLR With ON/OFF Switch & LED



• Includes W 8 windshield



C 801E-RF

C 801ES-RF

Model:	C 801 Series
Type	Condenser (Back Electret)
Polar Pattern	Hyper-Cardioid
Frequency Response	50Hz~18KHz
Sensitivity	-47dB ± 3dB @ 1 KHz (0dB = 1 v/Pa)
Impedance	200 Ohms
S/N Ratio	64dB(A)
Maximum SPL	125dB at 1 KHz 1% THD
Power Requirements	9~48v Phantom Power Adaptor
Termination	Male 3 pin XLR
Supplied Accessories	W 8 Windshield included
Finish	Satin Black or White

○ C 815E-RF / C 816E-RF Goosenecks (Mini Shotgun)

Slimline, hyper-cardioid shotgun microphones for high quality speech in professional recording and live broadcasting applications. Designed for applications requiring directionality and high quality performance such as conference rooms, podiums, broadcast, live sound, banks and financial trading centres. Engineered in high quality brass and finished in satin black.

Features:

- Immune to RF artefacts 800-1200MHz.
- Slim mini Shotgun Microphone.
- Optimised for clarity.
- Superior grade component.
- Unobtrusive slimline design.
- Engineered in high quality brass.
- Included is a Phantom Power Adaptor.
- Finish: Satin Black.
- Also available in Nextel Suede Coating finishes (Custom Orders Only)

Models:

- C 815E-RF** 12.75" Full Flex
- C 816E-RF** 17.3" Semi-Rigid



• Includes W 81 windshield



C 815E-RF

C 816E-RF

Model:	C 815E-RF / C 816E-RF
Type	Condenser (Back Electret)
Polar Pattern	Hyper-Cardioid
Frequency Response	50Hz~18KHz
Sensitivity	-45dB ± 3dB @ 1 KHz (0dB = 1 v/Pa)
Impedance	200 Ohms
S/N Ratio	64dB(A)
Maximum SPL	125dB at 1 KHz 1% THD
Power Requirements	9~48v Phantom Power Adaptor
Termination	Male 3 pin XLR
Supplied Accessories	W 81 Windshield included
Finish	Satin Black

○ C 901E-RF Series (Featuring C900 Capsule)

These 'ready-made' C 901E-RF Series Microphones feature the C 900 cardioid condenser capsule and CAK Phantom Power Adaptor with knuckle joint for horizontal rotation and vertical angle adjustment. Designed for use in conference halls, schools, colleges, places of worship, board rooms.

Features:

- Integrated Phantom Power Adaptor
- Male 3 pin XLR termination
- Finish: Satin Black.
- Also available in Nextel Suede Coating finishes (Custom Orders Only)

Models:

- **C 901E-RF**
- **C 901ES-RF** With ON/OFF Switch & LED



C 901E-RF

C 901ES-RF

Model:	C 901E-RF / C 901ES-RF
Type	Condenser (Back Electret)
Polar Pattern	Cardioid
Frequency Response	50Hz~20KHz
Sensitivity	-48dB ± 3dB @ 1 KHz (0dB = 1 v/Pa)
Impedance	200 Ohms
S/N Ratio	70dB(A)
Maximum SPL	126dB at 1 KHz 1% THD
Power Requirements	9~48v Phantom Power Adaptor
Termination	Male 3 pin XLR
Finish	Satin Black

○ C 420E Twin Mounts

Twin mount condenser microphone with a cardioid polar pattern. Constructed from high quality brass each microphone is fixed to solid shafts which can be individually adjusted 180° for correct vertical angle. Individually powered, providing live redundant capability so often required in a live broadcast situation. Designed for use in places of worship, conferencing, broadcasting and other places requiring twin microphones for backup / fail safe operation. Finished in satin black.

Features:

- Twin mount back electret condenser microphone constructed from high quality brass.
- Each microphone has individually adjustable angled solid shafts.
- Phantom power required 9~48v.
- Two independent Microphones offers fail safe operation.
- Terminating in a 5 Pin Male XLR
- Finish: Satin Black.
- Also available in Nextel Suede Coating finishes (Custom Orders Only)

Models:

- **C 420E**



- Includes W 2 windshield

Model:	C 420E
Type	Condenser (Back Electret)
Polar Pattern	Cardioid
Frequency Response	50Hz~18KHz
Sensitivity	-37dB ± 3dB @ 1 KHz (0dB = 1 v/Pa)
Impedance	200 Ohms
S/N Ratio	69dB(A)
Maximum SPL	126dB at 1 KHz 1% THD
Power Requirements	9~48v Phantom Power Adaptor
Termination	Male 5 pin XLR
Finish	Satin Black

○ C 430E Twin Mounts

Twin Mount shaft with PPA and 2 x Mini XLR connectors for easy Microphone connection. Constructed from high quality brass each mini XLR is fixed to solid shafts which can be individually adjusted 180° for correct vertical angle. Each attached microphone will be separately powered and contains two Phantom power adaptors requiring 9~48v. Designed for use in places of worship, conferencing, broadcasting and other places requiring twin microphone for backup / fail safe operation. Finished in satin black.

Features:

- Constructed from high quality brass.
- Each shaft is individually adjustable.
- Phantom power required 9~48v.
- Two independently mounted Microphones (sold separately) offers fail safe operation.
- Three microphone head variants: C 900, C 3H & C 800H.
- Terminating in a 5 Pin Male XLR.
- Finish: Satin Black.
- Also available in Nextel Suede Coating finishes (Custom Orders Only)

Models:

- **C 430E**



Model:	C 430E
Impedance	200 Ohms
Power Requirements	9~48v Phantom Power Adaptor
Finish	Satin Black
Termination	Input: Female 3 pin Mini XLR Connector Output: Male 5 Pin XLR

Capsule options available:

- **C 900**
Rugged Cardioid condenser microphone capsule
- **C 3H**
Slimline Cardioid condenser microphone capsule
- **C 800H**
Hyper-Cardioid Mini Shotgun condenser microphone capsule

C 3S-RF-CP Suspended Cardioid Condenser Microphone

Slim, wide band, suspended Gooseneck Cardioid Condenser Microphone with short flexible shaft and knuckle joint. The Electret condenser gooseneck microphone has a cardioid polar pattern and slimline profile design. The microphone is constructed from high quality brass using a short flexible shaft (6mm diameter) with a knuckle joint allowing vertical adjustment. The C 3S-RF-CP is supplied with a ceiling plate which has a CPPW01-RF attached accepting 9~48v Phantom Power. Designed for ceiling mounting for use in conference halls, places of worship, board rooms.

Features:

- Response optimised for consistent sound quality.
- Unobtrusive slimline design.
- Superior grade components.
- Engineered in high quality brass.
- Fully flexible gooseneck shaft with knuckle joint.
- 7.5m (25') of cable.
- Supplied with USA Gang Plate and CPPW01-RF.
- Finish: Satin Black or White.
- Also available in Nextel Suede Coating finishes (Custom Orders Only)

Models:

- C 3S-RF-CP Black
- C 3SW-RF-CP White



Model:	C 3S-RF-CP
Type	Condenser (Back Electret)
Polar Pattern	Cardioid
Frequency Response	50Hz~18KHz
Sensitivity	-37dB ± 3dB @ 1 KHz (0dB = 1 v/Pa)
Impedance	200 Ohms
S/N Ratio	69dB(A)
Maximum SPL	125dB at 1 KHz 1% THD
Power Requirements	9~48v Phantom Power Adaptor
Termination	Open Ended
Supplied Accessories	W 2 Windshield included
Finish	Satin Black or White

C 3SE-RF Suspended Cardioid Condenser Microphone

Slim, wide band, suspended Gooseneck Cardioid Condenser Microphone with short flexible shaft and knuckle joint. The microphone is constructed from high quality brass construction using a short flexible shaft (6mm diameter) with a knuckle joint allowing vertical adjustment. Designed for ceiling mounting for use in conference halls, places of worship, board rooms, theaters.

Features:

- Response optimised for consistent sound quality.
- Unobtrusive slimline design.
- Superior grade components.
- Engineered in high quality brass.
- Fully flexible gooseneck shaft with knuckle joint.
- Fully balanced and terminated in male 3 pin XLR.
- 7.5m (25') of cable.
- Includes PPA-RF.
- Finish: Satin Black or White.
- Also available in Nextel Suede Coating finishes (Custom Orders Only)

Models:

- C 3SE-RF Black
- C 3SEW-RF White



Model:	C 3SE-RF Series
Type	Condenser (Back Electret)
Polar Pattern	Cardioid
Frequency Response	50Hz~18KHz
Sensitivity	-37dB ± 3dB @ 1 KHz (0dB = 1 v/Pa)
Impedance	200 Ohms
S/N Ratio	69dB(A)
Maximum SPL	125dB at 1 KHz 1% THD
Power Requirements	9~48v Phantom Power Adaptor
Termination	Male 3 pin XLR
Supplied Accessories	W 2 Windshield included
Finish	Satin Black or White

C 3100-RF-CP Suspended Slimline Condenser Microphone

The C 3100-RF-CP is basically a combination of the very popular C 3100-RF permanently mounted to a standard North American single gang plate. The assembly also includes the CPPW01-RF phantom power adaptor. The C 3100-RF-CP is also great for ceiling applications for picking up ambient noise for systems using AGC (Automatic Gain Control).

Features:

- Response optimised for consistent sound quality.
- Flexible Gooseneck.
- Unobtrusive design.
- Engineered in high quality brass.
- Supplied with ceiling plate with CPPW 01-RF mounted
- Cardioid Condenser microphone with wide bandwidth quality.
- Finish: Satin Black or White.
- Also available in Nextel Suede Coating finishes (Custom Orders Only)

Models:

- C 3100-RF-CP Black
- C 3100W-RF-CP White



Model:	C 3100-RF-CP
Type	Condenser (Back Electret)
Polar Pattern	Cardioid
Frequency Response	50Hz~18KHz
Sensitivity	-40dB ± 3dB @ 1 KHz (0dB = 1 v/Pa)
Impedance	200 Ohms
S/N Ratio	64dB(A)
Maximum SPL	125dB at 1 KHz 1% THD
Power Requirements	9~48v Phantom Power Adaptor
Termination	Open Ended
Supplied Accessories	W 2 Windshield included
Finish	Satin Black or White

C 8S-RF-CP Suspended Mini Shotgun Hyper Cardioid Condenser Microphone

Slim, wide band, suspended gooseneck mini shotgun Hyper Cardioid Condenser Microphone with short flexible shaft and knuckle joint. The Electret condenser gooseneck microphone has a hyper cardioid polar pattern and slimline profile design. The microphone is constructed from high quality brass using a short flexible shaft (6mm diameter) with a knuckle joint allowing vertical adjustment. The C 8S-RF-CP is supplied with a ceiling plate which has a CPPW01-RF attached accepting 9~48v Phantom Power. Designed for ceiling mounting for use in conference halls, places of worship, board rooms.

Features:

- Response optimised for consistent sound quality.
- Unobtrusive slimline design.
- Superior grade components.
- Engineered in high quality brass.
- Fully flexible gooseneck shaft with knuckle joint.
- 7.5m (25') of cable.
- Supplied with USA Gang Plate and CPPW01-RF.
- Finish: Satin Black or White.
- Also available in Nextel Suede Coating finishes (Custom Orders Only)

Models:

- **C 8S-RF-CP** Black
- **C 8SW-RF-CP** White

- Includes W 8 windshield

Model:	C 8S-RF-CP
Type	Condenser (Back Electret)
Polar Pattern	Hyper Cardioid
Frequency Response	50Hz~18KHz
Sensitivity	-37dB ± 3dB @ 1 KHz (0dB = 1 v/Pa)
Impedance	200 Ohms
S/N Ratio	69dB(A)
Maximum SPL	125dB at 1 KHz 1% THD
Power Requirements	9~48v Phantom Power Adaptor
Termination	Open Ended
Supplied Accessories	W 8 Windshield included
Finish	Satin Black or White

C 8SE-RF Suspended Mini Shotgun Hyper Cardioid Condenser Microphone

Slim, wide band, suspended gooseneck mini shotgun Hyper Cardioid Condenser Microphone with short flexible shaft and knuckle joint. The microphone is constructed from high quality brass using a short flexible shaft (6mm diameter) with a knuckle joint allowing vertical adjustment. Designed for ceiling mounting for use in conference halls, places of worship, board rooms, theaters.

Features:

- Response optimised for consistent sound quality.
- Unobtrusive slimline design.
- Superior grade components.
- Engineered in high quality brass.
- Fully flexible gooseneck shaft with knuckle joint.
- Fully balanced and terminated in male 3 pin XLR.
- 7.5m (25') of cable.
- Includes PPA-RF.
- Finish: Satin Black or White.
- Also available in Nextel Suede Coating finishes (Custom Orders Only)

Models:

- **C 8SE-RF** Black
- **C 8SEW-RF** White

- Includes W 8 windshield

Model:	C 8SE-RF Series
Type	Condenser (Back Electret)
Polar Pattern	Hyper Cardioid
Frequency Response	50Hz~18KHz
Sensitivity	-37dB ± 3dB @ 1 KHz (0dB = 1 v/Pa)
Impedance	200 Ohms
S/N Ratio	69dB(A)
Maximum SPL	125dB at 1 KHz 1% THD
Power Requirements	9~48v Phantom Power Adaptor
Termination	Male 3 pin XLR
Supplied Accessories	W 8 Windshield included
Finish	Satin Black or White

C 303W-RF Tri Element Array Hanging Condenser Microphone

Tri element array hanging microphone designed for unobtrusive all round high quality pickup necessary in places such as boardrooms, conferencing, court rooms and other venues covering 360° pickup pattern. Each zone covered by the capsules is approximately 120°. Ceiling mounted tri-element back electret condenser microphone designed for suspended ceiling applications. 2.5 Metres (8.20 ft) cable and locking grommet for easy height adjustment. Also includes a ceiling enclosure with built-in triple Phantom Power Adaptor. Engineered in high quality brass.

Features:

- Contains 3 high sensitivity cardioid capsules.
- Designed to capture 360° pickup.
- Engineered in high quality brass.
- Include ceiling enclosure with locking grommet for easy height adjustment.
- Supplied with 2.5 Metre cable terminating in a Mini XLR connector.
- Finished in Satin Black or gloss white finish.
- RJ45 out allows fast connection to DSP or mixer.
- Supplied with RJ45 to phoenix link cable.
- 3 X Cardioid Patterns, 120° from each other, covering 360°
- Built-in RF Filter.
- Easy to install.
- Finish: satin black or gloss white

Models:

- **C 303-RF** Black
- **C 303W-RF** White

Model:	C 303-RF
Type	Condenser (Back Electret)
Polar Pattern	3 X Cardioid
Frequency Response	50Hz~20KHz
Sensitivity	-37dB ± 3dB @ 1 KHz (0dB = 1 v/Pa)
Impedance	200 Ohms
S/N Ratio	69dB(A)
Maximum SPL	125dB at 1 KHz 1% THD
Power Requirements	9~48v Phantom Power Adaptor
Termination	RJ45 / Phoenix
Finish	Satin Black or Gloss White

○ CCRM 4000 Series Ceiling Mounted Retractable Microphone

The Clockaudio CCRM 4000 ceiling retractable microphone series offers elegance combined with a discrete profile. Perfect for applications where the conference table must remain uncluttered. It is available with the C3 cardioid capsule/knuckle joint combination, which can be adjusted for best microphone positioning and optimal sound quality, or the very popular C303 tri-element microphone. Available in black or white finish and also for plenum rated ceilings. The CCRM 4000 microphone can be completely retracted and disappear in the ceiling after the conference, allowing the room to remain aesthetically pleasing and ready for other functions.

Features:

- Control ports allow DSP connection and Link / daisy chain expansion to other CCRM 4000 Retractable units.
- Logic Hi / Lo for DSP mute detection port.
- Master & Slave units are identical in construction. Two rotary 0-9 digital decimal encoders are used to set Master (00) and 01 – 99 determines slave designation. The factory default is set to Master (00).
- IR remote control is supplied with the master unit. Remote control can be used to activate the units in the absence of a DSP.
- IR receiver sensor with integral green programme mode led and red range led (supplied with master unit).
- Audio cable length 2.5 Metres (8.20 ft).
- Inbuilt Phantom Power modules.
- Universal mains switched mode power supply available as separate item. Operates up to 4 units.
- Automatic safety detection for cable hang-ups.
- Ceiling bezel fitted with detection switch.
- Up to 99 slave units can be daisy chained to the master.

Master Unit:

All the CCRM 4000 Master (M) unit is supplied complete with (1) Ceiling mounted IR sensor, (1) Remote Control, (1) C 3 Cardioid Microphone with knuckle joint or C 303 Cardioid Microphone and magnet, (1) Ceiling bezel with Locking ring, (1) 18vDC Power supply unit, (1) Ceiling tile mounting bracket and Safety cable.

Slave Unit:

All the CCRM 4000 Slave (SL) unit is supplied complete with (1) C 3 Cardioid Microphone with knuckle joint or C 303 Cardioid Microphone and magnet, (1) Ceiling bezel with Locking ring, (1) Ceiling tile mounting bracket and Safety cable.

Please note the only difference between the Master and Slave unit is that the Master is supplied with the IR remote, IR sensor and PS-018. The Slave does not.

PS-018:

When using more than 4 units in daisy chain, an additional PS-018 will be required.

i.e. An installation using 9 units in total (1 Master and 8 Slaves) would require 2 additional PS-018.

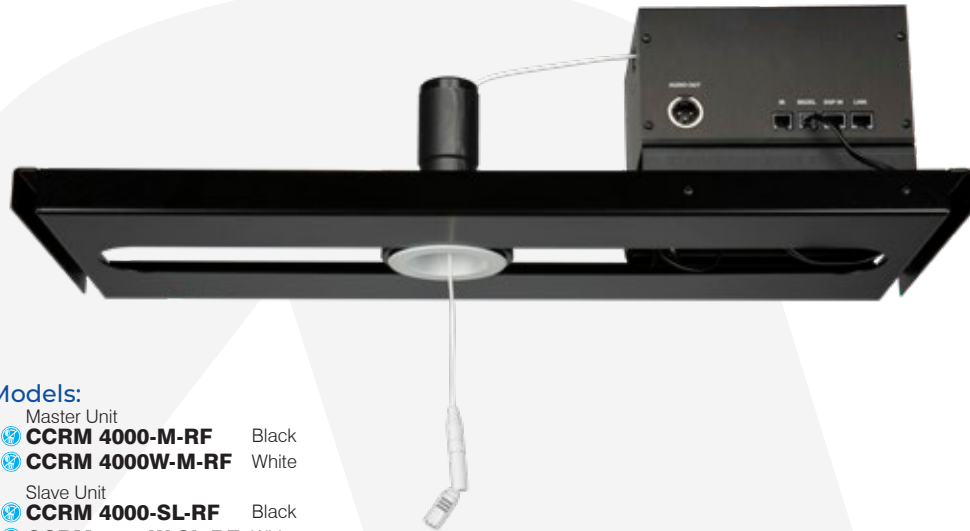


◦CCRM 4000-RF Ceiling Mounted Retractable Microphone

Ceiling mounted retractable back electret condenser microphone designed for suspended ceiling applications. 2.5 metres (8.20 ft) cable with pre-wired C3SW microphone, and built-in Phantom Power Adaptor. Also includes ceiling tile bridge. The microphone has a knuckle joint which allows for easy vertical adjustment. Engineered in high quality brass. Designed for use in boardrooms, conferencing and a wide variety of applications.

Features:

- XLR socket allows easy and fast connection of the audio to mixer or DSP. A 9~48v phantom power is required.
- Supplied with 350° rotation, 40° knuckle joint angle microphone with cardioid polar pattern.
- Finish: Black Satin or White.
- Also available in Nextel Suede Coating finishes (Custom Orders Only)




Models:

- Master Unit
- **CCRM 4000-M-RF** Black
 - **CCRM 4000W-M-RF** White
- Slave Unit
- **CCRM 4000-SL-RF** Black
 - **CCRM 4000W-SL-RF** White

Model:	CCRM 4000-RF
Type	Condenser (Back Electret)
Polar Pattern	Cardioid
Frequency Response	50Hz~18KHz
Sensitivity	-40dB ± 3dB @ 1 KHz (0dB = 1 v/Pa)
Impedance	200 Ohms
S/N Ratio	64dB(A)
Maximum SPL	125dB at 1KHz 1% THD
Power Requirements For microphone	9~48v Phantom Power
Power Requirements For CCRM40000 unit	18VDC 0.5A
Finish	CCRM4000 motor: Satin Black C3S Knuckle joint microphone and cable: Satin Black or White



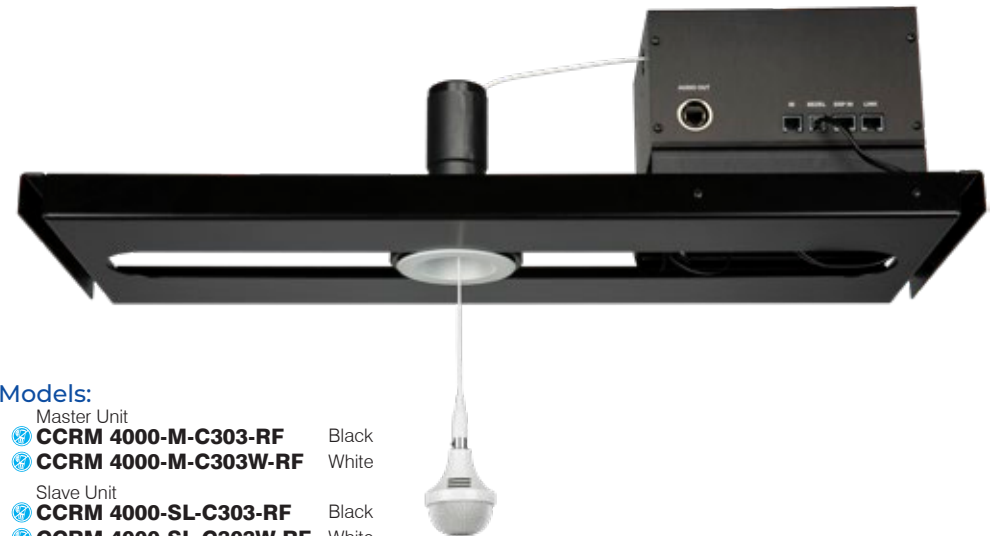
 = RF-Immunity Version

◦CCRM 4000 / C 303W-RF Ceiling Mounted Retractable Microphone

Ceiling mounted retractable triple back electret condenser microphones designed for suspended ceiling applications. 2.5 metres (8.20 ft) cable with pre-wired TA5F (Mini XLR) for the C303W-RF microphone, and built-in Phantom Power Adaptors. Also includes ceiling tile bridge. The microphone is engineered in high quality brass. Designed for superior quality voice reproduction in venues such as boardrooms, conferencing, court rooms and other such venues.

Features:

- Designed for 360° pickup.
- RJ45 socket allows easy and fast connection of the audio to mixer or DSP via breakout cable (female RJ45 to 3 Phoenix). A 9~18v phantom power is required.
- 3 X Cardioid Patterns, 120° from each other, covering 360°
- Finish: Black Satin or White.
- Also available in Nextel Suede Coating finishes (Custom Orders Only)



Models:

- Master Unit
- **CCRM 4000-M-C303-RF** Black
 - **CCRM 4000-M-C303W-RF** White
- Slave Unit
- **CCRM 4000-SL-C303-RF** Black
 - **CCRM 4000-SL-C303W-RF** White

Model:	CCRM 4000 / C 303W-RF
Type	Condenser (Back Electret)
Polar Pattern	3 X Cardioid
Frequency Response	50Hz~18KHz
Sensitivity	-37dB ± 3dB @ 1 KHz (0dB = 1 v/Pa)
Impedance	200 Ohms
S/N Ratio	69dB(A)
Maximum SPL	125dB at 1KHz 1% THD
Power Requirements For microphone	9~48v Phantom Power
Power Requirements For CCRM40000 unit	18VDC 0.5A
Finish	CCRM4000 motor: Satin Black C 303-RF / C 303W-RF microphone and cable: Satin Black or White





CCRM 4000-RF Plenum Ceiling Mounted Retractable Microphone

Plenum rated ceiling mounted retractable back electret condenser microphone designed for suspended Plenum ceiling applications. 2.5 metres (8.20 ft) cable with pre-wired C3SW microphone, and built-in Phantom Power Adaptor. The microphone has a knuckle joint which allows for easy vertical adjustment. Also includes modified Chief CMS491 Plenum rated storage box. Engineered in high quality brass. Designed for use in boardrooms, conferencing and a wide variety of applications.

Features:

- XLR socket allows easy and fast connection of the audio to mixer or DSP. A 9~48v phantom power is required.
- Supplied with 350° rotation, 40° knuckle joint angle microphone with cardioid polar pattern.
- The CCRM4000-RF is mounted inside a modified Chief CMS491 Plenum rated storage box.
- Finish: White.
- Also available in Nextel Suede Coating finishes (Custom Orders Only)



Models:

- Master Unit
CCRM 4000W-M-RF-P White
- Slave Unit
CCRM 4000W-SL-RF-P White

Model:	CCRM 4000-RF Plenum
Type	Condenser (Back Electret)
Polar Pattern	Cardioid
Frequency Response	50Hz~18KHz
Sensitivity	-40dB ± 3dB @ 1 KHz (0dB = 1 v/Pa)
Impedance	200 Ohms
S/N Ratio	64dB(A)
Maximum SPL	125dB at 1KHz 1% THD
Power Requirements For microphone	9~48v Phantom Power
Power Requirements For CCRM40000 unit	18VDC 0.5A
Finish	CCRM4000 motor: Satin Black C3S Knuckle joint microphone and cable: White



 = RF-Immunity Version

CCRM 4000 / C 303W-RF Plenum Ceiling Mounted Retractable Microphone

Plenum rated ceiling mounted retractable triple back electret condenser microphones designed for suspended Plenum ceiling applications. 2.5 metres (8.20 ft) cable with pre-wired TA5F (Mini XLR) for the C303W-RF microphone, and built-in Phantom Power Adaptors. Also includes modified Chief CMS491 Plenum rated storage box. The microphone is engineered in high quality brass. Designed for superior quality voice reproduction in venues such as boardrooms, conferencing, court rooms and other such venues.

Features:

- RJ45 socket allows easy and fast connection of the audio to mixer or DSP via breakout cable (female RJ45 to 3 Phoenix). A 9~48v phantom power is required.
- 3 X Cardioid Patterns, 120° from each other, designed for 360° pickup.
- The CCRM4000-C303 is mounted inside a modified Chief CMS491 Plenum rated storage box.
- Finish: White.
- Also available in Nextel Suede Coating finishes (Custom Orders Only)



Models:

- Master Unit
CCRM 4000-M-C303W-RF-P White
- Slave Unit
CCRM 4000-SL-C303W-RF-P White

Model:	CCRM 4000 / C 303W-RF Plenum
Type	Condenser (Back Electret)
Polar Pattern	3 X Cardioid
Frequency Response	50Hz~18KHz
Sensitivity	-37dB ± 3dB @ 1 KHz (0dB = 1 v/Pa)
Impedance	200 Ohms
S/N Ratio	69dB(A)
Maximum SPL	125dB at 1KHz 1% THD
Power Requirements For microphone	9~48v Phantom Power
Power Requirements For CCRM40000 unit	18VDC 0.5A
Finish	CCRM4000 motor: Satin Black C 303W-RF microphone and cable: White





○ C 900 / C 3H / C 800H Modular Microphone

A series of easily interchangeable microphones, stands and shafts giving flexibility in choice of microphone and accessories for a wide range of applications including broadcast, conference halls, places of worship, leisure centres, etc. Finished in satin black.

Microphones:

Modular Cardioid

- **C 900** Rugged wide band cardioid condenser microphone for multiple use.
- **C 3H** Short slimline cardioid condenser microphone for use in controlled acoustic environments.

Modular Shotgun

- **C 800H** Hyper-cardioid condenser mini shotgun microphone useful in a wide range of pro and live sound speech applications.



• C 900

• C 3H

• C 800H

• C 3H: Includes W 2 windshield

• C 800H: Includes W 8 windshield

○ CAK 1-RF

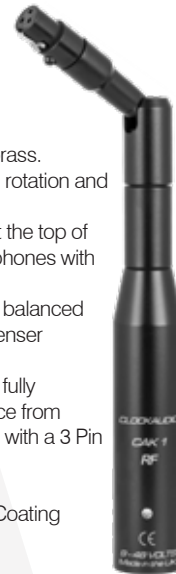
Phantom Power Adaptor with knuckle joint and mini XLR Female connector (TA3F). Short microphone holder designed for fast connection of condenser microphones requiring phantom power adaptor. Constructed from high quality brass a knuckle joint allowing horizontal rotation and vertical adjustment. A Mini XLR connector is fitted at the top of the joint to allow connecting our Clockaudio modular capsules.

Models:

- **CAK 1-RF**

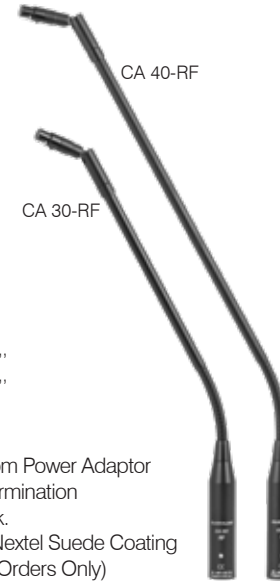
Features:

- Constructed from high quality brass.
- A knuckle joint allows horizontal rotation and vertical adjustment.
- A Mini XLR connector is fitted at the top of the joint to allow fixing of Microphones with same connector.
- A Phantom Power Adaptor with balanced output is fitted for electret condenser Microphones.
- The Phantom Power Adaptor is fully protected against RF interference from GSM devices and is terminated with a 3 Pin Male XLR.
- Finish: Satin Black.
- Also available in Nextel Suede Coating finishes (Custom Orders Only)



○ CA 30-RF / CA 40-RF Modular Semi Rigid Shafts

Semi-rigid 12" and 16" shafts fitted with Phantom Power Adaptor at the bottom end terminated in Male 3 pin XLR and knuckle joint at tip with Mini XLR 3 pin Female connector.



Models:

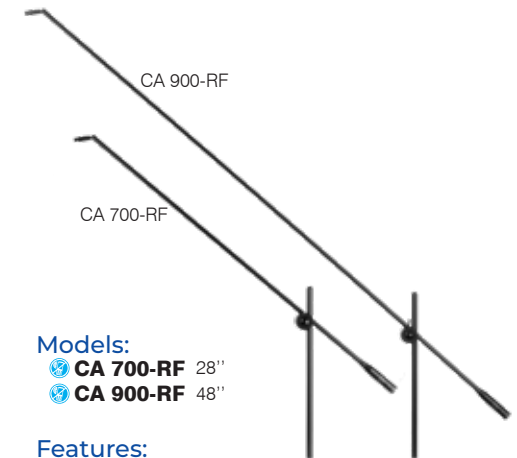
- **CA 30-RF** 12"
- **CA 40-RF** 16"

Features:

- Integrated Phantom Power Adaptor
- Male 3 pin XLR termination
- Finish: Satin Black.
- Also available in Nextel Suede Coating finishes (Custom Orders Only)

○ CA 700-RF / CA 900-RF Floor Standing Long Modular Shafts

Long, rigid shafts of 28" and 48" respectively. Each connects to a short 14" upright shaft by a separate, lockable swivel joint allowing adjustments to angle, height and reach.



Models:

- **CA 700-RF** 28"
- **CA 900-RF** 48"

Features:

- Long Shaft includes Phantom Power Adaptor at bottom end terminated in Male 3 pin XLR.
- Knuckle joint at microphone end terminated with Mini XLR 3 pin female connector.
- Short shaft connects to SM 155 floor mounting, shock absorbing base (sold separately).
- Finish: Satin Black.
- Also available in Nextel Suede Coating finishes (Custom Orders Only)

Model:	C 900	C 3H	C 800H
Type	Condenser (Back Electret)		
Polar Pattern	Cardioid	Cardioid	Hyper-Cardioid
Frequency Response	50Hz~20KHz	50Hz~18KHz	50Hz~18KHz
Sensitivity	-48dB	-37dB	-37dB
	± 3dB @ 1 KHz (0dB = 1 v/Pa)		
Impedance	1.8K Ohms		
S/N Ratio	70dB(A)	69dB(A)	69dB(A)
Maximum SPL	126dB	125dB	125dB
	at 1 KHz 1% THD		
Power Requirements	9~48v Phantom Power		
Termination	Male 3 pin mini XLR		
Finish	Satin Black	Satin Black or White	Satin Black

○ D 5 General Purpose Dynamic Microphone

The dynamic microphone has a cardioid polar pattern and is optimised for speech purposes. The microphone is made of robust high quality brass construction and terminated with 3 Pin XLR. Applications include, paging, Intercom, Ticket counter, Bus, Train, Restaurant, Dispatch desk.



Model:	D 5
Type	Dynamic
Polar Pattern	Cardioid
Frequency Response	150Hz~12KHz
Sensitivity	-63dB ± 3dB @ 1 KHz (0dB = 1 v/Pa)
Impedance	200 Ohms
Termination	Male 3 pin XLR
Finish	Satin Black

○ SM 10 / SM 10X5 / SM 10-Lock

Very low profile through table shock mount fitted with 3 pin or 5 pin female XLR input, 3 pin or 5 pin male XLR output. Compatible with all Clockaudio gooseneck microphones.

Models:

- 🌀 **SM 10** 3 pin XLR
- 🌀 **SM 10X5** 5 pin XLR
- 🌀 **SM 10-Lock** 3 pin XLR



Model:	SM 10	SM 10X5	SM 10-Lock
Height Above Surface		36mm (1.4")	
Surface Diameter		28mm (1.1")	
Body Diameter		20mm (0.79")	
Length Below Surface		63.4mm (2.6")	
Total Body Length		99.5mm (3.9")	

○ SM 20-RF

A low profile, through-table shock mount fitted with RF-immunity PPA with 3 pin Male mini XLR input connector.

Features:

- Shock Mount is terminated with a 3 Pin Male XLR.
- Low profile design.
- Mini XLR Male 3 Pin connector.
- Finish: Satin Black.

Models:

- 🌀 **SM 20-RF**

Model:	SM 20-RF
Height Above Surface	3mm (0.12")
Surface Diameter	31mm (1.22")
Body Diameter	20mm (0.79")
Length Below Surface	63.4mm (2.6")



○ SM 70

Shock Absorbing through table Microphone Mount. Made of strong resilient ABS construction. Fitted with a thick Shock Absorbing Rubber Cushion to prevent unwanted through table shock / vibration.

Models:

- SM 70**



Model:	SM 70
Height Above Surface	10mm (0.4")
Overall Diameter	82mm (3.23")
Body Diameter	51mm (2.1")
Depth Below Surface	50mm (2")

○ SM 75 Series

3" diameter shock absorbing microphone base for permanent fitting above or below the surface.

Features:

- Brass construction.
- Unobtrusive design.
- Supplied with a 3 Pin Female XLR. (SM 75)
- Supplied with a 5 Pin Female XLR. (SM 75X5)
- For use with Clockaudio Open Ended Microphones. (SM 75 10mm)
- Finish: Satin Black.
- Also available in Nextel Suede Coating finishes (Custom Orders Only)

Models:

- SM 75** 3 pin XLR
- SM 75X5** 5 pin XLR
- SM 75 10mm** Open ended

Model:	SM 75 Series
Base Diameter	75mm (3")
Base Height	32mm (1.3") 64mm (2.5") Including XLR



○ SM 80 Series

A low profile, through table shock mount fitted with flip cover to conceal connector.

Features:

- All-metal construction.
- A hinged flap allows the unit to sit almost flush to a table.
- Simple push / click fit allows a Microphone to be removed quickly and easily.
- Input: 3 Pin Female XLR, 5 Pin Female XLR or 3 pin TA 3MB Male Mini XLR
- Output: 3 Pin Male XLR or 5 Pin Male XLR
- Finish: Black Nextel or Satin Nickel

Models:

- 3 Pin **SM 80** **SM 80N**
- 5 Pin **SM 80 X5** **SM 80NX5**
- Mini XLR **SM 80-RF** **SM 80N-RF**



SM 80



SM 80 X5



SM 80-RF

Model:	SM 80 Series
Height Above Surface	3mm (0.18")
Diameter	58mm (2.28")
Body Diameter	51mm (2")
Depth Below Surface	61mm (2.4") XLR version 166mm (6.5") RF version

○ SM 80S Series

Low profile, through table shock mount with PTT or Latching switch and Bi-Colour LED indicator. A hinged flap allows the unit to sit almost flush to the table once the Microphone has been disconnected.

Features:

- All-metal construction.
- A hinged flap allows the unit to sit almost flush to a table.
- Simple push / click fit allows a Microphone to be removed quickly and easily.
- Provided with a mechanical switch configured for Latching or PPT (Push to Talk)
- Bi-colour LED indicator is fitted to the base.
- Input: 3 Pin Female XLR, 5 Pin Female XLR or 3 pin TA 3MB Male Mini XLR
- Output: 3 Pin Male XLR or 5 Pin Male XLR
- Finish: Black Nextel or Satin Nickel.

Models:

- 3 Pin **SM 80S Latch** **SM 80SN Latch**
- SM 80S PTT** **SM 80SN PTT**



- 5 Pin **SM 80SX5 Latch** **SM 80SNX5 Latch**
- SM 80SX5 PTT** **SM 80SNX5 PTT**



- Mini XLR **SM 80S-RF Latch** **SM 80SN-RF Latch**
- SM 80S-RF PTT** **SM 80SN-RF PTT**



Model:	SM 80S Series
Height Above Surface	3mm (0.18")
Diameter	58mm (2.28")
Body Diameter	51mm (2")
Depth Below Surface	61mm (2.4") XLR version 166mm (6.5") RF version

○ SM 93 / SM 95

Low profile shock absorbing through table microphone mount.

Features:

- Made of strong and resilient ABS construction.
- 3 Pin or 5 Pin Female XLR Connector centrally mounted on to thick Shock Absorbing Rubber.
- Wiring connections via 3 or 5 way screw terminal.
- Finish: Matte Black.
- Also available in Nextel Suede Coating finishes (Custom Orders Only)

Models:

- SM 93** 3 pin XLR
- SM 95** 5 pin XLR



SM 93



SM 95

Model:	SM 93 / SM 95
Length	87mm (3.43")
Width	82mm (3.23")
Height Above Surface	9mm (0.35")
Depth Below Surface	SM 93 32mm (1.25") SM 95 22mm (0.88")

○ S 120 Series

Table top microphone base fitted with M 10 x 1 screw thread mounting hole. Also available with optional Latching or PTT switch.

Features:

- Table Top Microphone Base fitted with M10 x 1 screw thread mounting hole.
- Optional Latching or PTT (push to talk) switch.
- The Base has a cavity that can be accessed from the bottom via a metal plate secured by three screws suitable for mounting additional electronics.
- Finish: Matte Black.
- Also available in Nextel Suede Coating finishes (Custom Orders Only)

Models:

- S 120**
- S 120S** PTT or Latching Switch



S 120



S 120S

Model:	S 120 Series
Height	32mm (1.25")
Diameter	120mm (4.8")
Weight	1.86Kg (4.1lbs)

○ S 120X Series

Table Microphone base fitted with XLR connector.

Features:

- 3 pin or 5 pin XLR options.
- Optional Latching or PTT (push to talk) switch.
- The Base has a cavity that can be accessed from the bottom via a metal plate secured by three screws suitable for mounting additional electronics.
- Finish: Matte Black.
- Also available in Nextel Suede Coating finishes (Custom Orders Only)

Models:

- 3 Pin **S 120X**
- 5 Pin **S 120X5**
- S 120XS Latch**
- S 120XS5 Latch**
- S 120XS PTT**
- S 120XS5 PTT**



S 120X



S 120XS Latch

Model:	S 120X Series
Height	57mm (2.28") with XLR
Diameter	120mm (4.8")
Weight	1.86Kg (4.1lbs)

○ SM 155

Floor Standing Shock Absorbing Microphone Mount. Designed for use in a wide range of applications where Floor Standing Microphone holders are to be used at venues such as Theatres, Concert Halls and Studios.

Features:

- Constructed of robust steel.
- Finish: Satin Black.
- Also available in Nextel Suede Coating finishes (Custom Orders Only)

Models:

- SM 155**



○ S 750

Table top microphone base fitted with Knuckle Joint fitted with a Mini XLR 3 Pin Female connector. Terminated with Mini XLR 3 Pin Female connector and 3m (10') of cable requiring a Phantom Power Adaptor.

Features:

- Table Top Microphone Base is fitted with a Mini XLR 3 Pin Female connector.
- Comes complete with a 3 Metre cable (10ft) terminating in a Mini XLR 3 Pin Female connector.
- Phantom Power Adaptor is required.
- Finish: Satin Black.
- Also available in Nextel Suede Coating finishes (Custom Orders Only)

Models:

- S 750**



OS 133 / S135

Desk Stand with fully programmable touch pad switch & LED for PTT, PTM & Latching modes to be used with the C 3E Gooseneck Series.

Features:

- A red LED illuminates when a Microphone is live.
- Power requirements 48v Phantom supply.
- A female 3 Pin XLR input connection and male 3 Pin or 5 Pin socket mounted on the rear for output connection.
- Finish: Satin Black.

Models:

- S 133** 3 pin XLR out
- S 135** 5 pin XLR out



S 133



S 135

Model:	S 133 / S 135
Type	Desk Stand
Power Requirements	48v Phantom Power supply
Finish	Satin Black
Weight	0.64Kg (22.4 oz)
Dimensions	Length 120mm (4.8") Height 60mm (2.36") with XLR Width 100mm (3.9")

OS 140-RF

Desk Stand with fully programmable touch pad switch & LED for PTT, PTM & Latching modes to be used with the Slimline Gooseneck Series.

Features:

- A red LED illuminates when a Microphone is live.
- The S140-RF is fitted with a Phantom Power Adaptor 48v.
- A male 3 Pin Mini XLR input connection and male 5 Pin XLR socket mounted on the rear for output connection.
- Remote switching ability is available with the S140-RF.
- Finish: Satin Black.

Models:

- S 140-RF**



Model:	S 140-RF
Type	Desk Stand
Power Requirements	48v Phantom Power supply
Finish	Satin Black
Weight	0.64Kg (22.4 oz)
Dimensions	Length 120mm (4.8") Height 32mm (1.25") Width 100mm (3.9")

OS 155 / S 157

Desk Stand with fully programmable touch pad switch & LED for PTT, PTM & Latching modes to be used with the C 3E-Halo Gooseneck Series.

Features:

- A red LED illuminates when a Microphone is live.
- Power requirements 48v Phantom supply.
- A female 5 Pin XLR input connection and male 5 Pin or 7 Pin socket mounted on the rear for output connection.
- Finish: Satin Black.

Models:

- S 155** 5 pin XLR out
- S 157** 7 pin XLR out



S 155



S 157

Model:	S 155 / S 157
Type	Desk Stand
Power Requirements	48v Phantom Power supply
Finish	Satin Black
Weight	0.64Kg (22.4 oz)
Dimensions	Length 120mm (4.8") Height 60mm (2.36") with XLR Width 100mm (3.9")

○ SM 110

Shock Absorbing Table Top Microphone Mount.

Features:

- Microphone clip mounted on to thick Shock Absorbing Neoprene Rubber Cushion to prevent unwanted shock / vibration.
- Overall height incl. microphone holder: 85mm (3.5")
- Heavy stable steel platform.
- Strong resilient ABS construction.
- SA3 Microphone holder.
- Base diameter: 110mm (4.3")
- Weight: 0.77kg (27 oz)
- Finish: Matte Black.



○ SA 3

Small Swivel Microphone Holder / Stand Adaptor.

Features:

- 5/8" - 3/8" female thread.
- Finished in Matte Black plastic to avoid damage and scratching to the Microphone.
- Suitable for C600 series Hand Held Microphone.



○ SA 5

Small Swivel Microphone Holder / Stand Adaptor.

Features:

- Small Swivel Microphone Holder / Stand Adaptor with 5/8" - 3/8" female thread.
- Finished in Matte Black plastic to avoid damage and scratching to the Microphone.
- Suitable for D500 series Hand Held Microphones.



○ D 33 / D 34 Dynamic Goosenecks

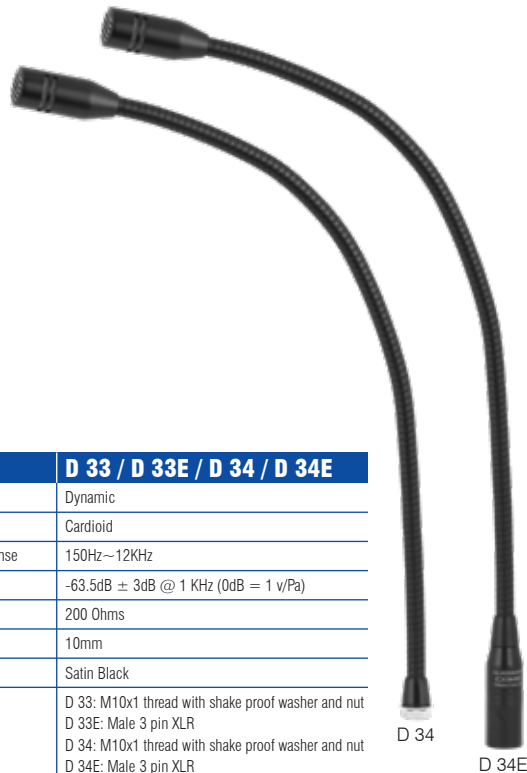
Dynamic cardioid gooseneck microphones designed for speech purposes in a variety of commercial audio applications. Designed for Paging, Intercom, Ticket counter, Bus, Train, Restaurant, Dispatch desk.

Features:

- Rugged all-metal construction.
- Response optimised for speech.
- Fully flexible or semi-rigid shaft.
- Finish: Satin Black
- Also available in Nextel Suede Coating finishes (Custom Orders Only)

Models:

- D 33** 300mm (11.8") Base mount
- D 33E** 350mm (13.8") 3 pin XLR
- D 34** 425mm (16.7") Base mount
- D 34E** 475mm (18.7") 3 pin XLR



Model:	D 33 / D 33E / D 34 / D 34E
Type	Dynamic
Polar Pattern	Cardioid
Frequency Response	150Hz~12KHz
Sensitivity	-63.5dB ± 3dB @ 1 KHz (0dB = 1 v/Pa)
Impedance	200 Ohms
Shaft Diameter	10mm
Finish	Satin Black
Termination	D 33: M10x1 thread with shake proof washer and nut D 33E: Male 3 pin XLR D 34: M10x1 thread with shake proof washer and nut D 34E: Male 3 pin XLR

○ D 43 / D 44 Dynamic Goosenecks

Dynamic cardioid gooseneck microphones designed for speech purposes in a variety of commercial audio applications. Designed for Paging, Intercom, Ticket counter, Bus, Train, Restaurant, Dispatch desk.

Features:

- Rugged all-metal construction.
- Response optimised for speech.
- Fully flexible.
- Finish: Satin Black
- Also available in Nextel Suede Coating finishes (Custom Orders Only)

Models:

- D 43** 300mm (11.8") Base mount
- D 43E** 350mm (13.8") 3 pin XLR
- D 44** 400mm (15.8") Base mount
- D 44E** 450mm (17.7") 3 pin XLR



Model:	D 43 / D 43E / D 44 / D 44E
Type	Dynamic
Polar Pattern	Cardioid
Frequency Response	150Hz~12KHz
Sensitivity	-60dB ± 3dB @ 1 KHz (0dB = 1 v/Pa)
Impedance	200 Ohms
Shaft Diameter	8mm
Finish	Satin Black
Termination	D 43: M10x1 thread with shake proof washer and nut D 43E: Male 3 pin XLR D 44: M10x1 thread with shake proof washer and nut D 44E: Male 3 pin XLR

○ DMB 1 / DMB 2 Desk Paging Microphones

Simple but effective, easy to use Desk Paging cardioid microphones includes switching which can be optimised for PTT, MS or Latching for use in all types of industrial, commercial, entertainment and retail paging applications.

Features:

- Single and two zone options.
- Choice of dynamic cardioid microphones (D 33, D 34, D 43 or D 44)
- Latched or momentary switching.
- Rugged, all-metal construction.
- Finish: Matte Black
- Also available in Nextel Suede Coating finishes (Custom Orders Only)

Models:

- DMB 1** Single Zone
- DMB 2** Dual Zone



LB 001 Digital Mute Switching Box

Digital mute switching box allowing pop/noise free muting of a Microphone when used with an electronic touch sensor switch.

Features:

- Digital mute switching box allowing pop/noise free muting of a microphone when used with an electronic touch sensor switch.
- Suitable for use with all Clockaudio control devices: TS003, TS005, SM80S, S80S, SWP 2, CS-S series, CRM-S series
- Microphone Input / Output via a Phoenix block .
- Connection to the touch sensor switch is via a RJ45 socket.
- Dip switch is provided inside the unit to allow the standard default of press to mute to be changed to two other formats of latching modes muted or unmuted, and 2 x momentary switching modes with 80 second time out.
- Requires 12vDC power adaptor (PS012).
- Steel box construction has a Red power LED indicator.
- Finish: Satin Black

Models: LB 001



Model:	LB 001
Type	Accessories
Power requirements	12VDC Adaptor
Termination	Microphone Input and Output via Phoenix block. RJ45 for switching.
Supplied Accessories	Fixing kit supplied.
Finish	Satin Black
Weight	0.2Kgs
Dimensions	Width: 137mm (5.39") Height: 30mm (1.18") Depth: 62mm (2.44")

PPA / PPA-RF

9~48v Phantom Power Adaptor for electret condenser microphones.

Features:

- Fitted with a 3 pin male Mini XLR connector and a 3 Pin Male XLR.
- Circuitry utilises the latest surface mount technology to ensure consistent high specifications and reliability.
- Also includes a separate unterminated TA3F Mini XLR connector.
- Switchable bass cut filter and switchable -10dB pad (Non-RF version only).
- Robust all metal construction.
- Accepts 9~48vDC.
- RF filter (PPA-RF only).
- Finish: Satin Black.

Models: PPA PPA-RF



PPM

Belt pack power supply / adaptor for connection to an electret Condenser Microphone.

Features:

- Belt pack power supply / adaptor for connection to an electret Condenser Microphone.
- Mic input socket Mini XLR 3 Pin Male.
- Output socket to mixer via 3 Pin Male XLR.
- Phantom power 9~48v from a mixer can be connected and used to power the Condenser Microphone.
- If a mixer does not have phantom power then a 1.5v battery (not supplied) can be inserted into the adaptor to power the Condenser Microphone.
- Included are switched positions for flat response or low frequency roll off.
- Finish: Satin Black.

Models: PPM



PP-2

48v Phantom Power supply for use with electret Condenser Microphones.

Features:

- 48vDC supply for use with electret Condenser Microphones.
- 2 microphones can be connected using standard XLR connectors.
- The AC input supply is switchable for use on 110 and 230 VAC operation.
- Power switch includes a Red power LED indicator.
- Fully balanced output.
- All metal construction.
- Finish: Black.

Models: PP-2



CAP 002

Line level Pre-Amp.

Features:

- Specifically designed for use with electret condenser Microphones for connection to line level input sources commonly used on Camcorders / Video cameras and other multimedia appliances.
- Construction is made from strong and lightweight ABS.
- Input and output connections are via screw terminals.
- Typical frequency response 80Hz~20KHz, impedance 225 Ohms balanced output, open circuit sensitivity 5mV/Pa (-46dBV/Pa), S/N 68dB @ 94dBspl, operating Voltage 12vDC or 24vDC (internal circuit preset for 24V operation).
- Current drain 400uA, operating temperature -10C to +60C.
- Power requirements: 12~24vDC or 24vAC.
- Finish: Satin Black.

Models: CAP 002



CPPW 01

CPPW01 is a Phantom Power Adaptor requiring external feed from Phantom Power Supply 9~48v.

Features:

- The internal PCB has a 3 screw terminals for input and output connections for quick and easy wiring allowing open ended microphones to be connected.
- Small size enables it to be placed discreetly either in a ceiling or under a table away from the Microphone itself and is Ideal for permanent hidden installations.
- Finish: Black.

Models: CPPW 01



CPPW 01-RF

CPPW01-RF is a Phantom Power Adaptor requiring external feed from phantom power supply 9~48v.

Features:

- The case is made from robust aluminium.
- The internal PCB has a 3 screw terminals for input and output connections for quick and easy wiring allowing Open Ended Microphones to be connected.
- A 1 metre screened cable is preffitted to the input terminals ready for connection to a Phantom Power supply.
- Small size enables it to be placed discreetly either in a ceiling or under a table away from the Microphone itself and is Ideal for permanent hidden installations.
- Finish: Satin Black.

Models: CPPW 01-RF



CMH 2000 Micro Lightweight Headworn Boom Microphone

Headworn boom condenser microphone with omni-directional polar pattern. Extremely lightweight and low profile. Resilient plastic construction design allows the microphone to be held even under high activity lightly to the head over long periods of time without fatigue tiredness. Boom arm is flexible allowing the head of the microphone to be positioned accurately. A Perspex drip barrier is incorporated to protect the microphone under extreme environments. Designed for use in theatres, presentations, broadcast studios productions, fitness instructors, places of worship and other applications requiring low profile head worn professional microphone.

Features:

- Headworn boom Microphone.
- Back electret condenser microphone with Omni-Directional polar pattern.
- Extremely lightweight and low profile.
- Resilient plastic construction design.
- Flexible boom arm.
- Perspex drip barrier.
- Finish: Matte Black.

Models:

CMH 2000 Black



Model:	CMH 2000
Type	Condenser (Back Electret)
Polar Pattern	Omni-Directional
Frequency Response	30Hz~18KHz
Sensitivity	-33dB ± 3dB @ 1 KHz (0dB = 1 v/Pa)
Impedance	4.4K Ohms
Maximum SPL	115dB at 1 KHz 1% THD
Power Requirements	1.5~9v Phantom Power
Termination	Female 4 pin Mini XRL connector
Finish	Matte Black

HW 1200 Lightweight Headworn Boom Microphone

Light weight headworn condenser microphone with omni-directional polar pattern. light weight made from resilient plastic construction. The design allows the microphone to be worn even under high activity lightly over the ears / head over long periods of time without fatigue tiredness. Microphone boom arm is flexible allowing the head of the microphone to be positioned accurately. Designed for use in theatres, presentations, broadcast studios, productions, places of worship and other applications requiring a low profile head worn professional microphone.

Features:

- Lightweight headworn condenser Microphone.
- Resilient plastic construction.
- Flexible Microphone boom arm
- Terminating in a Mini XLR 4 Pin connector.
- Foam windshield fitted to Microphone capsule.
- Finish: Matte Black.

Models:

HW 1200



Model:	HW 1200
Type	Condenser (Back Electret)
Polar Pattern	Omni-Directional
Frequency Response	30Hz~18KHz
Sensitivity	-50dB ± 3dB @ 1 KHz (0dB = 1 v/Pa)
Impedance	680 Ohms
Maximum SPL	115dB at 1 KHz 1% THD
Power Requirements	1.5~9v Phantom Power
Termination	Female 4 pin Mini XRL connector
Supplied Accessories	W 12 Windshield included
Finish	Matte Black

HW 1600 Rugged Lightweight Headworn Boom Microphone

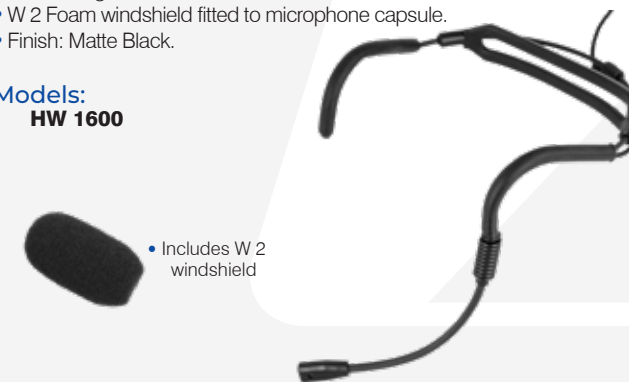
Rugged moisture resistant Super Cardioid close talking condenser microphone with smooth low feedback response. Lightweight made from resilient non corrosive plastic construction. The design allows the microphone to be worn even under high activity over long periods of time without fatigue tiredness. Microphone boom arm is flexible allowing the head of the microphone to be positioned accurately. Highly flexible cable remains supple under long exposure of perspiration / cosmetics. Designed for presenters, commentators, broadcast reporters and instructors. Particularly suitable for active aerobic and fitness instructors.

Features:

- Exceptional sound clarity.
- Good rejection of surrounding noise.
- High quality easy maintenance Headband.
- Lightweight headworn Microphone.
- Microphone capsule protected from moisture by plastic injection.
- Resilient non corrosive plastic construction.
- Flexible Microphone boom arm.
- Highly flexible cable remains subtle under long exposure of perspiration and or cosmetics.
- Terminating in a mini XLR 4 Pin connector.
- W 2 Foam windshield fitted to microphone capsule.
- Finish: Matte Black.

Models:

HW 1600



Model:	HW 1600
Type	Condenser (Back Electret)
Polar Pattern	Super Cardioid
Frequency Response	100Hz~15KHz
Sensitivity	-40dB ± 3dB @ 1 KHz (0dB = 1 v/Pa)
S/N Ratio	67dB(A)
Maximum SPL	125dB at 1 KHz 1% THD
Power Requirements	1.5~9v Phantom Power
Termination	Female 4 pin Mini XRL connector
Supplied Accessories	W 2 Windshield included
Finish	Matte Black

CL 5 / CL 5B Lavalier Omni-Directional Condenser Microphone

Miniature high performance, omni-directional lavalier condenser microphone designed for a wide range of "hands free" Broadcasting and Pro Audio applications. Also useable for sound reinforcement on string instruments. Wide range smooth response. Useable with most power modules and wireless transmitters. Finished in black or beige with 1,5 meters (59,6") of cable attached, matching windshield and tie clip included.

Features:

- Lavalier back electret condenser microphone.
- omni directional
- Wide range smooth response
- Supplied with tie clip and foam windshield.
- Finish: Black or Beige.

Models:

- CL 5** Black
- CL 5B** Beige



Model:	CL 5 / CL 5B
Type	Condenser (Back Electret)
Polar Pattern	Omni-Directional
Frequency Response	20Hz ~ 20KHz
Sensitivity	-42dB ± 3dB @ 1 KHz (0dB = 1 v/Pa)
Impedance	1K Ohms
Maximum SPL	120dB at 1 KHz 1% THD
Power Requirements	1.5 ~ 10v Bias Voltage
Termination	Female 4 pin Mini XRL connector.
Supplied Accessories	Tie clip and foam windshield.
Finish	Black or Beige

CL 6 Lavalier Cardioid Condenser Microphone

Miniature high performance, cardioid lavalier condenser microphone designed for a wide range of "hands free" Broadcasting and Pro Audio applications. Also useable for sound reinforcement on string instruments. Wide range smooth response. Useable with most power modules and wireless transmitters. Finished in black or beige with 1,5 meters (59,6") of cable attached, matching windshield and tie clip included.

Features:

- Lavalier back electret condenser Microphone.
- Terminating with a TA 4F Mini XLR.
- Supplied with tie clip and foam windshield.
- Cardioid polar pattern.

Models:

- CL 6**



Model:	CL 6
Type	Condenser (Back Electret)
Polar Pattern	Cardioid
Frequency Response	50Hz ~ 16KHz
Sensitivity	-44dB ± 3dB @ 1 KHz (0dB = 1 v/Pa)
Impedance	1K Ohms
Power Requirements	5v Bias Voltage
Termination	Female 4 pin Mini XRL connector.
Supplied Accessories	Tie clip and foam windshield.

H 500 Headphone

Dynamic closed-back headphone designed for Studio and Broadcast applications.

Features:

- Detachable 3 Metre (10ft) cable terminated with gold plated screwable mini 3.5mm – ¼" jack plug.
- 50mm Neodymium magnet drive units.
- Finish: Black.

Models:

- H 500**



Model:	H 500
Polar Pattern	Dynamic
Frequency Response	15Hz ~ 22KHz
Sensitivity	96dB +/- 3dB @ 1KHz / 1mW
Impedance	24 Ohms
Finish	Black

○ C 600 Slimline Cardioid Condenser Microphone

Professional handheld Slimline Cardioid Condenser Microphone designed for a wide range of vocal and speech applications. Also suitable for many musical instrument applications.

Features:

- High quality brass construction.
- Wide frequency response.
- Shock mount suspension.
- Fully balanced output.
- Switchable bass filter & -10db Switchable Pad.
- Includes SA 3 clip.
- Finish: Satin Black.

Models:
C 600



• Includes SA 3 clip

Model:	C 600
Type	Condenser (Back Electret)
Polar Pattern	Cardioid
Frequency Response	50Hz~20KHz
Sensitivity	-37dB ± 3dB @ 1 KHz (0dB = 1 v/Pa)
Impedance	200 Ohms
S/N Ratio	69dB(A)
Maximum SPL	125dB at 1 KHz 1% THD
Power Requirements	9~48v Phantom Power Adaptor
Termination	Male 3 pin XLR
Supplied Accessories	Presentation case and swivel stand adaptor included
Finish	Satin Black

○ C 650E Cardioid Condenser Handheld Microphone

Professional Cardioid Condenser handheld Microphone. Designed for high quality speech and vocal applications.

Features:

- Rugged metal construction.
- Wide frequency response.
- Spider shock mount suspension.
- Fully balanced output.
- Switchable bass filters.
- Presentation case with swivel stand adaptor.
- Includes SA 5 clip.
- Finish: Black Nextel®.

Models:
C 650E



• Includes SA 5 clip

Model:	C 650E
Type	Condenser (Back Electret)
Polar Pattern	Cardioid
Frequency Response	50Hz~20KHz
Sensitivity	-48dB ± 3dB @ 1 KHz (0dB = 1 v/Pa)
Impedance	200 Ohms
S/N Ratio	70dB(A)
Maximum SPL	130dB at 1 KHz 1% THD
Power Requirements	9~48v Phantom Power Adaptor
Termination	Male 3 pin XLR
Supplied Accessories	Presentation case and stand adaptor
Finish	Black Nextel®

○ C 850E Shotgun Supercardioid Microphone

Supercardioid Shotgun microphone for use in Broadcast, film/video recording and theatre sound reinforcement. Includes windshield and stand adaptor with camera shoe 5/8" stand thread.

Features:

- Smooth Response for consistent sound quality.
- Superior Grade Components.
- Balanced output.
- Selectable Bass Roll Off and 10dB pad.
- 3 Pin Male XLR Termination.
- Includes W85 windshield and Pistol grip.
- Finish: Satin Black.

Models:
C 850E



• Includes Pistol grip

• Includes W 85 windshield

Model:	C 850E
Type	Condenser (Back Electret)
Polar Pattern	Supercardioid
Frequency Response	50Hz~20KHz
Sensitivity	-48dB ± 3dB @ 1 KHz (0dB = 1 v/Pa)
Impedance	200 Ohms
S/N Ratio	70dB(A)
Maximum SPL	126dB at 1 KHz 1% THD
Power Requirements	9~48v Phantom Power Adaptor
Termination	Male 3 pin XLR
Supplied Accessories	Windshield and Stand Adaptor fitted with Camera Shoe 5/8" Stand Thread (RYCOTE accessories are available for this product)
Finish	Black Nextel®

○ D 525E Dynamic Supercardioid Microphone

Handheld supercardioid ENG microphone designed for electronic news gathering and video production.

Features:

- Die-cast housing and steel grille screen.
- Long shaft for easy handling.
- Neodymium alloy magnet.
- Patented shock suspension.
- Termination Male 3 pin XLR connector.
- Foam windshield.
- Stand Adaptor.
- Includes W 5 windshield and SA 8 clip.
- Finish: Black Soft Touch.

Models:
D 525E



• Includes SA 8 clip

• Includes W 5 windshield

Model:	D 525E
Type	Dynamic
Polar Pattern	Supercardioid
Frequency Response	50Hz~18KHz
Sensitivity	-54dB ± 3dB @ 1 KHz (0dB = 1 v/Pa)
Impedance	300 Ohms
Termination	Male 3 pin XLR
Supplied Accessories	Foam Windshield, Stand Adaptor, Presentation Case
Finish	Black Soft Touch

○ D 550E Dynamic Omni-Directional Microphone

Handheld omni-directional ENG microphone designed for electronic news gathering and video production.

Features:

- Die-cast housing and steel grille screen.
- Long shaft for easy handling.
- Neodymium alloy magnet.
- Patented shock suspension.
- Termination Male 3 pin XLR connector.
- Omni-Directional.
- Foam windshield.
- Stand adaptor.
- Includes W 5 windshield and SA 8 clip.
- Finish: Black Soft Touch.

Models:
D 550E



Model:	D 550E
Type	Dynamic
Polar Pattern	Omni-Directional
Frequency Response	50Hz~18KHz
Sensitivity	-54dB ± 3dB @ 1 KHz (0dB = 1 v/Pa)
Impedance	300 Ohms
Termination	Male 3 pin XLR
Supplied Accessories	Foam Windshield, Stand Adaptor, Presentation Case
Finish	Black Soft Touch

○ D 700S Dynamic Supercardioid Microphone

Handheld Dynamic Super Cardioid Microphone with silent on-off switch. Optimised for speech and musical instruments.

Features:

- Rugged die cast metal construction.
- Super Cardioid Polar Pattern.
- Wide smooth frequency response.
- Neodymium magnet.
- Balanced output.
- Silent magnetic on-off reed switch.
- Inbuilt shock mount for superior low handling noise.
- Termination 3 pin male XLR.
- Supplied with swivel stand adaptor.
- Finish: Satin Black.

Models:
D 700S



Model:	D 700S
Type	Dynamic
Polar Pattern	Supercardioid
Frequency Response	50Hz~16KHz
Sensitivity	-73dB ± 3dB @ 1 KHz (0dB = 1 v/Pa)
Impedance	300 Ohms
Termination	Male 3 pin XLR
Supplied Accessories	Stand Adaptor
Finish	Satin Black

○ D 700 Dynamic Supercardioid Microphone

Handheld Dynamic Super Cardioid Microphone. Optimised for speech and musical instruments.

Features:

- Rugged die cast metal construction.
- Super Cardioid Polar Pattern.
- Wide smooth frequency response.
- Neodymium magnet.
- Balanced output.
- Inbuilt shock mount for superior low handling noise.
- Termination 3 pin male XLR.
- Supplied with swivel stand adaptor.
- Finish: Satin Black.

Models:
D 700



Model:	D 700
Type	Dynamic
Polar Pattern	Supercardioid
Frequency Response	50Hz~18KHz
Sensitivity	-74dB ± 3dB @ 1 KHz (0dB = 1 v/Pa)
Impedance	300 Ohms
Termination	Male 3 pin XLR
Supplied Accessories	Stand Adaptor
Finish	Satin Black



Communicator Two-way Intercom

The Clockaudio Communicator Full Duplex Two-way Communicator System is designed for use in situations where company staff need to be able to deal efficiently with visitors, whilst at the same time remaining totally secure. Communicator has a wide range of applications and is especially ideal for use in areas where money transactions take place, where cash or other valuables are on view or where staff require a higher level than usual of personal safety.

Communicator also allows staff to deal in an efficient and friendly way with visitors, without giving them actual access to inner parts of the building where such access may be inappropriate. Communicator comprises of a range of professionally designed loudspeaker and microphone units, superbly styled to enhance any location. It is powered by a simple to operate, ruggedly-built amplifier providing excellent speech clarity.

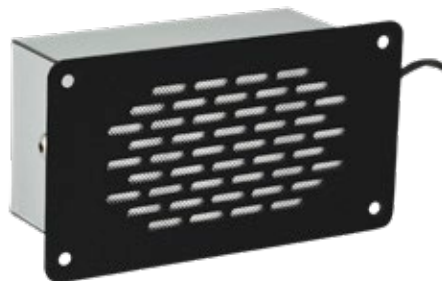


CLF 100 Flush Mount Loudspeaker

Visitor loudspeaker can alternatively be positioned in a housing which can be recessed into a wall or counter top, ideal for smoother styling and less intrusive positioning on busy counter tops and for providing additional protection from abuse.

Visitor loudspeaker unit CLF 100 is a part of the security system allowing speech through security windows and screens. The CLF 100 Visitors unit is constructed from steel and is part of a full duplex two-way communication system with the CSU 100 Staff unit. The CLF 100 is a flush mount loudspeaker that can be recessed into a wall or counter top. Elliptical paper cone loudspeaker.

Must be used in conjunction with the amplifier unit CA 100, and visitor microphone CML 100 and CSU 100 Staff control unit.



Model:	CLF 100
Frequency Response	180Hz~16KHz
Impedance	4 Ohms
Maximum SPL	85dB at 1 KHz 1% THD
Power Requirements	5 Watts
Finish	Matte Black
Dimensions	Height Above Surface: 2mm (0.1") Width: 65mm (2.6") Length: 120mm (4.8") Height Below Surface: 45mm (1.8")

CLS 100 Surface Loudspeaker

Visitor loudspeaker unit CLS 100 is a part of the security system allowing speech through security windows and screens. The CLS 100 Visitors unit is constructed from steel and is part of a full duplex two-way communication system with the CSU 100 Staff unit. The visitor CLS 100 unit is a Surface mount loudspeaker that can be fixed on a counter top.

Must be used in conjunction with the amplifier unit CA 100, and visitor microphone CML 100 and CSU 100 Staff control unit.



Model:	CLS 100
Frequency Response	180Hz~16KHz
Impedance	4 Ohms
Maximum SPL	85dB at 1 KHz 1% THD
Power Requirements	5 Watts
Finish	Matte Black
Dimensions	Height: 75mm (3") Width: 60mm (2.4") Length: 98mm (3.9")

CA 100 Audio & Induction Amplifier

2 Channel Audio and Induction Loop Amplifier is the control centre of the Communicator and provides full open duplex communication. For use in areas that requires consistently safe communication between secure places.

Features:

- 2 channel audio and induction loop amplifier for the Communicator security system.
- Contains press button controls for Staff / customer loudspeaker audio output.
- Adjustments for Staff / customer Microphone settings.
- The amplifier has feed available for the connection of a magnetic loop inductance unit.
- Power is via 110~230vAC – 12vDC adaptor.
- Front panel contains led status bar.
- Connections to / from the unit is via screw plug Phoenix connector.
- Finish: Matte Grey.

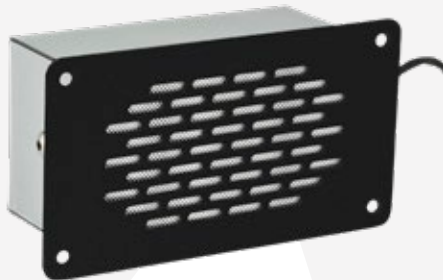


CMF 100 Flush Mount Condenser Microphone

Visitor microphone fitted in a housing which can be recessed into a wall or counter top, ideal for smoother styling and less intrusive positioning on busy counter tops and for providing additional protection from abuse.

Visitor Flush mount Electret condenser microphone unit CMF 100 is a part of the security system allowing speech through security windows and screens. The CMF 100 Visitors unit is constructed from steel and is part of a full duplex two-way communication system with the CSU 100 Staff unit. The CMF 100 is a flush mount microphone that can be recessed into a wall or counter top.

Must be used in conjunction with the amplifier unit CA 100, and visitor loudspeaker CLF 100 and CSU 100 Staff control unit.



Model:	CMF 100
Polar Pattern	Cardioid
Frequency Response	50Hz ~ 18KHz
Sensitivity	-47dB ± 3dB @ 1 KHz (0dB = 1 v/Pa)
Impedance	1.8K Ohms
Maximum SPL	125dB at 1 KHz 1% THD
Power Requirements	1.5 ~ 9v Phantom Power
Finish	Matte Black
Dimensions	Height Above Surface: 2mm (0.1") Width: 65mm (2.6") Length: 120mm (4.8") Height Below Surface: 45mm (1.8")

CMS 100 Surface Condenser Microphone

Visitor surface mount Back Electret condenser microphone unit CML 100 is a part of the security system allowing speech through security windows and screens. The CMS 100 Visitors unit is constructed from steel and is part of a full duplex two-way communication system with the CSU 100 Staff unit. The visitor CMS 100 unit is a Surface mount microphone that can be fixed on a counter top.

Must be used in conjunction with the amplifier unit CA 100, and visitor microphone CLS 100 and CSU 100 Staff control unit.



Model:	CML 100
Polar Pattern	Cardioid
Frequency Response	50Hz ~ 18KHz
Sensitivity	-47dB ± 3dB @ 1 KHz (0dB = 1 v/Pa)
Impedance	1.8K Ohms
Maximum SPL	125dB at 1 KHz 1% THD
Power Requirements	1.5 ~ 9v Phantom Power
Finish	Matte Black
Dimensions	Height: 75mm (3") Width: 60mm (2.4") Length: 98mm (3.9")

CSU 100 Staff Control Unit

Staff control unit for the Communicator 2 Way security system allowing speech through security windows and screens. The CSU 100 Staff control is constructed from steel and has full Duplex two way communication with the visitor unit. The Staff unit has a combined loudspeaker with a goose neck microphone offering high quality speech reproduction. A staff mute switch also ensures that visitors are unable to hear the operator in confidential conversations.

Must be used in conjunction with the amplifier unit CA 100, visitor loudspeaker unit CLF / CLS 100 and visitor microphone CMF / CMS 100.



Model:	CSU 100
Polar Pattern	Cardioid
Frequency Response	50Hz ~ 18KHz
Sensitivity	-47dB ± 3dB @ 1 KHz (0dB = 1 v/Pa)
Impedance	1.8K Ohms
Maximum SPL	125dB at 1 KHz 1% THD
Power Requirements	1.5 ~ 9V Phantom Power
Finish	Matte Black
Dimensions	Height: 75mm (3") Width: 60mm (2.4") Length: 98mm (3.9")

CPS 100 Power Supply

12vDC Power supply for the Communicator Security system.

Features:

- Plug in 12v Power Adaptor for CA 100.
- Detachable mains cable.
- DC cord length 1.7 Metres terminating in a 2.1mm DC socket.
- Adaptor is switched mode and can be connected to Mains Voltages 50~60Hz - 100~230vAC.
- Green power LED illuminates to indicate Power ON.
- Finish: Black.



Model:	CPS 100
Weight	0.30Kgs
Finish	Black
Dimensions	Height: 35mm Width: 50mm Length: 94mm

○ CW 7000 / CW 7001 Wireless System

Features:

- PLL synthesized technology allows upto 1441 selectable frequencies.
- 6 groups, maximum 23 channels in one group.
- Frequency range 533~569MHz.
- The true diversity reception with 2 independent RF receivers ensures stable reception.
- Adjustable Pilot tone squelch control can effectively reduce the noise.
- Fitted with S.A.W. filter to resist interference.
- Fitted with squelch circuitry and Mute function.
- Rugged metal housing.
- Balanced output via 3 Pin XLR or 6.3mm (1/4") Jack socket.
- Anti-interference design for computer compatability.
- Transmission power selectable between 10 and 50mW (depends on local regulation).
- CL6 Condenser microphone included.

CW 7000 System Includes:

- CW 7000R** UHF Multi Channel wireless microphone receiver
- CW 7000T** Hand Held dynamic cardioid microphone transmitter

CW 7001 System Includes:

- CW 7000R** UHF Multi Channel wireless microphone receiver
- CW 7001T** Belt Pack Transmitter with cardioid lavalier condenser microphone



CW 7001T - Belt Pack Portable Transmitter

CW 7000R - Wireless Receiver

CW 7000T - Handheld Radio Microphone

Model:	CW 7000R
Frequency Range	533~569MHz
S/N Ratio	> 105db
THD	< 0.6%@1KHz
Function Display Method	LCD and LED
Display Contents	Frequency, antenna A/B, mute display, LED meter, Battery Fuel Guage
Controls	Power ON/OFF, frequency (up/down), available frequency scan, Audio level, Lock on
Audio Output Level	-12dB
Audio Output Impedance	600 Ohms
Squelch	Pilot tone & Noise mute
Operation Voltage	12~18vDC, 200mA
Output Connector	1 balanced XLR socket, 1 6.3mm un-balanced phone jack
Dimensions	Width: 212mm (8.35") Height: 38mm (1.5") Length: 144mm (5.67")

Model:	CW 7000T
Frequency Range	533~569MHz
RF Output	10mW/50mW Switchable
Stability	< ±10KHz
Frequency Drift	< ±48KHz
Polar Pattern	Cardioid
Display	LDC
Display Contents	Frequency (up/down), Battery fuel guage, Sensitivity
Controls	Power On/Off, Mode Setting, AF Level, Frequency (up/down), Lock-On mode
Spurious Emissions	<-50dBC
Frequency Response	50Hz~16.5KHz
Battery Life	12 Hours at 10mW, 7 Hours at 50mW
Battery	2xUM3,AA 1.5V, Batteries not included

Model:	CW 7001T
Frequency Range	533~569MHz
RF Output	10mW/50mW Switchable
Stability	< ±10KHz
Frequency Drift	< ±48KHz
Display	LDC
Display Contents	Frequency, Battery fuel guage
Controls	Power On/Off, AF Level, Frequency (up/down), Lock-On mode
Output connector	4P mini XLR
Spurious Emissions	<-50dBC
Frequency Response	50Hz~16KHz
Battery Life	12 Hours at 10mW, 7 Hours at 50mW
Battery	2xUM3,AA 1.5V, Batteries not included

○ CW 8000 / CW 8001 Wireless System

Features:

- UHF PLL True Diversity System with an operating range from 200 to 480 meters subject to local regulations.
- Frequency range 533~569MHz.
- 3000 Selectable channels across 75MHz.
- 6 pre-set groups each of up to 40 channels.
- Automatic space scanning function.
- Patented optimised scanning function allows automatic remote control of frequency settings of the transmitter from receiver.
- Adjustable squelch level.
- LCX circuit design technology minimises compounding noise.
- CL6 Condenser microphone included.

CW 8000 System Includes:

- CW 8000R** UHF Multi Channel wireless microphone receiver
- CW 8000T** Hand Held dynamic cardioid microphone transmitter

CW 8001 System Includes:

- CW 8000R** UHF Multi Channel wireless microphone receiver
- CW 8001T** Belt Pack Transmitter with cardioid lavalier condenser microphone



CW 8000T - Handheld Radio Microphone

CW 8000R - Wireless Receiver

CW 8001T - Belt Pack Portable Transmitter

Model:	CW 8000R
Frequency Range	533~569MHz
S/N Ratio	> 105db
THD	< 0.6%@1KHz
Function Display Method	LCD and LED
Display Contents	Channel, Group, Antenna A/B, Mute, AF/RF, Low battery, Device ID
Controls	Power ON/OFF, frequency (up/down), available frequency scan, Audio level, Lock on
Audio Output Level	-12dB
Audio Output Impedance	600 Ohms
Squelch	Pilot tone & Noise mute
Operation Voltage	12~18vDC, 200mA
Output Connector	1 balanced XLR connector
Dimensions	Width: 212mm (8.35") Height: 44mm (1.73") Length: 214mm (8.43")

Model:	CW 8000T
Frequency Range	533~569MHz
RF Output	10mW/50mW Switchable
Stability	< ±10KHz
Frequency Drift	< ±48KHz
Polar Pattern	Cardioid
Display	LDC
Display Contents	Frequency (up/down), Power indicator, Device ID
Controls	Power switch, AF, Frequency (up/down), Lock-On, ID pairing
Spurious Emissions	< -50dBC
Frequency Response	50Hz~16.5KHz
Battery Life	12 Hours at 10mW, 7 Hours at 50mW
Battery	2xUM3,AA 1.5V, Batteries not included

Model:	CW 8001T
Frequency Range	533~569MHz
RF Output	10mW/50mW Switchable
Stability	< ±10KHz
Frequency Drift	< ±48KHz
Display	LDC
Display Contents	Frequency (up/down), Power indicator, Device ID
Controls	Power switch, AF, Frequency (up/down), Lock-On, ID pairing
Spurious Emissions	< -50dBC
Frequency Response	50Hz~16.5KHz
Battery Life	12 Hours at 10mW, 7 Hours at 50mW
Battery	2xUM3,AA 1.5v, Batteries not included

○AA 8000

470~952MHz UHF transmitter Distribution Amplifier can accommodate up to 4 systems.

Features:

- Construction all metal case designed for UI rack mounting.
- Front panel contains 2 antenna outputs A and B.
- Standard BNC connectors.
- Push button power switch.
- Rear connections include 4 A channel BNC antenna output sockets and 4 B channel BNC antenna output sockets.
- BNC A channel antenna input socket and BNC B channel antenna input socket.
- 4 x DC output sockets carrying 12vDC for external antenna booster amplifiers.
- All RF sockets are 50 Ohms impedance.
- ACC supplied: DC cable x 4, 10 x antenna cables for receiver and front panel antennas.
- Power supply: 100~240vAC.
- Finish: Black.



○AB 9000

470~870MHz UHF antenna booster.

Features:

- Durable ABS case and detachable helically wound rubber duck antenna.
- 12vDC 120mA is supplied by the original receiver.
- RF input is via standard 50 Ohms BNC connector.
- Omni-Directional coverage with 1.8dB gain.
- Operation voltage 12~18vDC.
- Inline antenna voltage
- Supplied in pairs.
- Fixing bracket supplied.
- Finish: Black.



○AEP 9000

Antenna extension panel.

Features:

- Blanking plate for RRM 9000 rack mount for Wireless CW 7000 series.
- Kit also contains 2 x bnc - bnc connectors and 2 x bnc to bnc connecting cables.



○RM9

Brackets to mount one CW 8000 Receiver into a 1U 19" rackmount space.



○RM10

Brackets to mount two CW 8000 Receivers into a 1U 19" rackmount space.

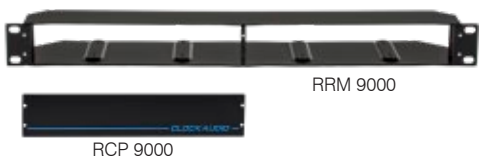


○RRM/RCP 9000

RRM 9000 Rack Mount & RCP 9000 Cover Panel. For use with the CW 7000 series.

RRM 9000: Rackmounting kit for two CW 7000R receivers.

RCP 9000: Blank panel for RRM 9000 when using only one CW 7000R.



○UOA-8000

The UOA-8000 is a passive omni-directional antenna that can be used for both transmitting and receiving signal in the frequency range of 470~960MHz.



○UDA-8000

The UDA-8000 is an active directional antenna which enhances the reception of the desired signal and rejects the unwanted RF signal. The UDA-8000 also provides an integrated antenna booster for use of long antenna extension cables.



○USP-8000

The USP-8000 Passive Antenna Splitter is intended for use with wireless systems.



Product Index

Part Number:	Page No:	Part Number:	Page No:	Part Number:	Page No:	Part Number:	Page No:
AA 8000	46	C 800 Series	24	CRM 200S-RF	12	S 133 / S135	34
AB 9000	46	C 801 Series	24	CRM 202-RF	13	S 140-RF	34
AEP 9000	46	C 815E-RF / C 816E-RF	24	CRM 202S-RF	13	S 155 / S 157	34
ARM 100-RF	11	C 850E	40	CRM 203-RF	14	S 750	33
ARM 102-RF	11	C 8S-RF-CP	27	CRM 203S-RF	14	S 80S Series	15
ARM 202-RF	11	C 8SE-RF	27	CS S-RF Series	17	SA 3	35
ARM-C	10	C 900 / C 3H / C 800H	31	CS-RF Series	16	SA 5	35
ARM-PSU 4	10	C 901E-RF Series	25	CSU 100	43	SEC 07	20
C 002E-RF	18	CA 100	42	CW 7000 / CW 7001	44	SM 10 / SM 10X5 / SM 10-Lock	32
C 003E-RF / C 004E-RF	15	CA 30-RF / CA 40-RF	31	CW 8000 / CW 8001	45	SM 110	35
C 006E	18	CA 700-RF / CA 900-RF	31	D 33 / D 34	36	SM 155	35
C 007 Series	19	CAK 1-RF	31	D 43 / D 44	36	SM 70	32
C 008E-RF	18	CAP 002	37	D 5	31	SM 80 Series	32
C 009E-RF	18	CCRM 4000 / C 303W-RF Plenum	30	D 525E	40	SM 80S Series	32
C 011E-RF / C 012E-RF	15	CCRM 4000 / C 303W-RF	29	D 550E	41	SM 93 / SM 95	33
C 015E-RF / C 016E-RF	20	CCRM 4000-RF Plenum	30	D 700	41	SWP2	10
C 3 Slimline Series	22	CCRM 4000-RF	29	D 700S	41	TIM-1000-CM	07
C 303-D-P	09	CDT 100	08	DMB 1 / DMB 2	36	TIM-1000-PM-Kit	07
C 303W-RF	27	CL 5 / CL 5B	39	H 500	39	TMR-1000	07
C 30H	20	CL 6	39	HW 1200	38	TS 003	10
C 3100-RF-CP	26	CLF 100	42	HW 1600	38	TS 005	15
C 3E-RF Halo Series	23	CLS 100	42	LB 001	37	TSB-1000	07
C 3E-RF Series	22	CMF 100	43	PP-2	37	TSB-P-1000	07
C 3ES-RF Series	23	CMH 2000	38	PPA / PPA-RF	37	UDA-8000	46
C 3S-RF-CP	26	CMS 100	43	PPM	37	UOA-8000	46
C 3SE-RF	26	CPPW 01	37	RM10	46	USP-8000	46
C 420E	25	CPPW 01-RF	37	RM9	49		
C 430E	25	CPS 100	43	RRM/RCP 9000	46		
C 600	40	CRM 100-RF	12	S 120 Series	33		
C 650E	40	CRM 102-RF	12	S 120X Series	33		

Custom Solutions

In addition to the standard products featured in this catalogue, Clockaudio offer a comprehensive OEM service and will also, in many cases, customise existing products to individual requirements.

To find out more about the Clockaudio OEM service plus the range of custom colours, finishes and configurations available, please contact our corporate office at Clockaudio North America.

T: 450-424-9797 • 1-888-424-9797 • E: info@clockaudio.com



Clockaudio North America Inc. - 2891 du Meunier, Unit 103, Vaudreuil-Dorion, Quebec, J7V 8P2, Canada
T: 450 424-9797 • 1 888 424-9797 F: 450 424-3660 E: info@clockaudio.com W: www.clockaudio.com

Clockaudio Ltd. - Unit C, Wellington Gate, Silverthorne Way, Waterlooville, Hampshire PO7 7XY, United Kingdom
T: +44 (0) 23 9225 1193 F: +44 (0) 23 9225 1201 E: info@clockaudio.co.uk W: www.clockaudio.com

Clockaudio PTE Ltd. - BizTech Center, Unit # 01-02, 627A Aljunied Road, Singapore, 389842
T: +65 67484738 F: +65 67484428 E: info@clockaudio.com.sg W: www.clockaudio.com

This Brochure is
Fully Recyclable

