

DENON

PROFESSIONAL

DN-700AVP

User Guide	English (2 – 13)
Guía del usuario	Español (14 – 25)
Guide d'utilisation	Français (26 – 37)
Guida per l'uso	Italiano (38 – 49)
Benutzerhandbuch	Deutsch (50 – 61)
Appendix	English (62)

User Guide (English)

Introduction

Box Contents

DN-700AVP
Power Cable
FM Antenna
Remote Control
User Guide
Safety & Warranty Manual

Support

For the latest information about this product (documentation, technical specifications, system requirements, compatibility information, etc.) and product registration, visit denonpro.com.

For additional product support, visit denonpro.com/support.

Safety and Precautions

- Keep the unit free from moisture, water, and dust.
- Do not block the ventilation holes.
- Do not let foreign objects fall into the ventilation holes.

Before turning the power on

- Check that all connections are correct and that there are no problems with the connection cables.
- Power is supplied to some of the circuitry even when the unit is set to the standby mode. When leaving home for long periods of time, be sure to unplug the power cord from the power outlet.

Condensation

- If there is a major difference in temperature between the inside of the unit and the surroundings, condensation (dew) may form on the operating parts inside the unit, causing the unit not to operate properly. If this happens, let the unit sit for an hour or two with the power turned off and wait until there is little difference in temperature before using the unit.

Cautions on using mobile phones

- Using a mobile phone near this unit may result in interference with video and audio signals. If that occurs, move the mobile phone away from this unit when it is in use.

Operable time for continuous use

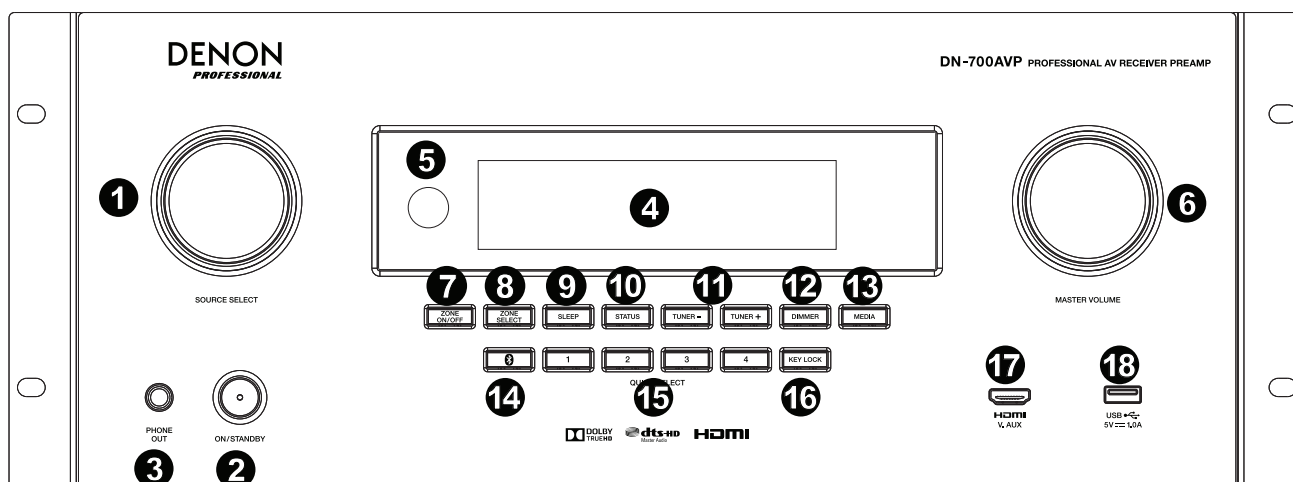
- This unit can be used continually for up to 24 hours. Continuing to use this unit for longer than 24 hours may result in operations failing to function correctly. To continue use for longer than 24 hours, restart the unit every 24 hours.

Care and cleaning

- Wipe the cabinet and control panel clean with a soft, nonabrasive cloth.
- Benzene, paint thinner, or other solvents may cause discoloration if brought into contact with the unit, and should not be used.

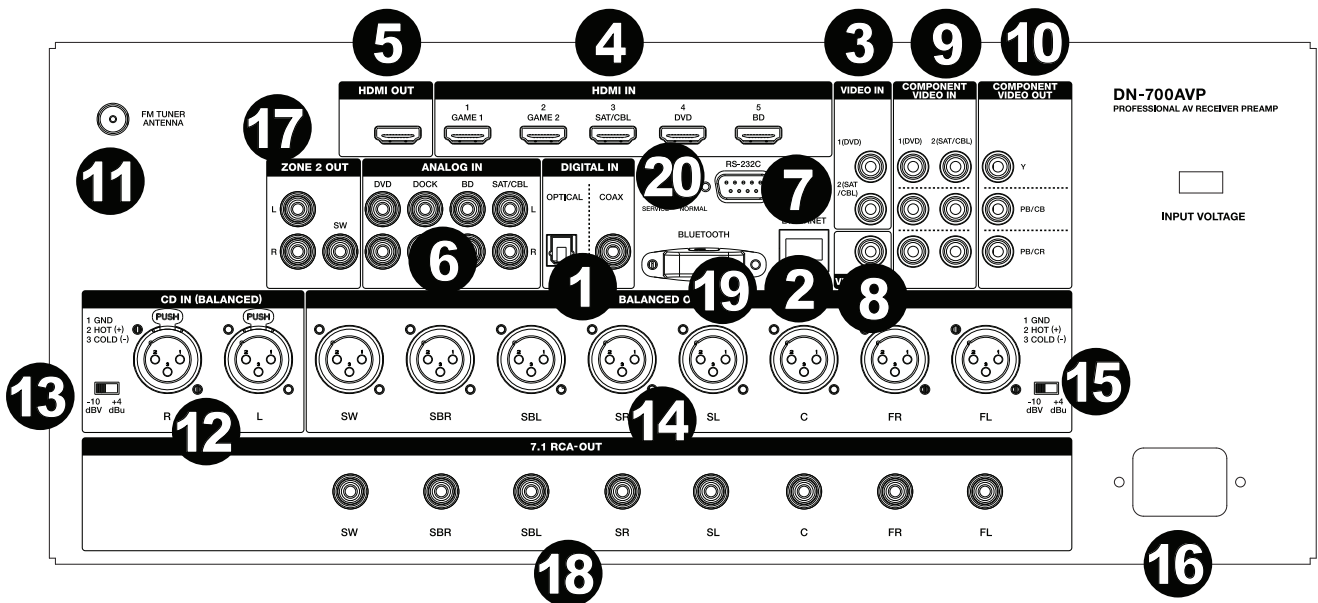
Features

Front Panel



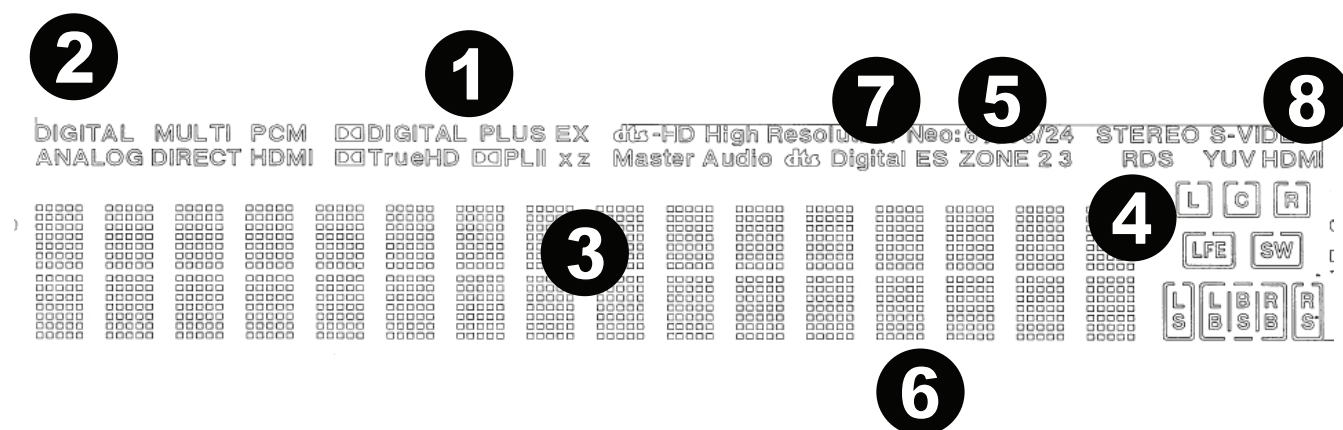
1. **Source Select Knob:** Turn this knob to select the input source. Select from Bluetooth, TV, Tuner, DVD, Dock, BD, SAT/CBL, Game1, Game2, CD, and Multimedia (select from music streaming services, Internet radio, saved favorite files on a network, media server, or a connected USB flash drive).
2. **ON/Standby:** Press this button to turn the unit on/off. When the unit is off, it will be in a standby mode.
3. **Phone Output:** Connect your headphones to this 1/4" (6.35 mm) headphone output.
4. **VFD Display:** The display is used to show information about the selected audio source, the FM radio station, Internet radio, setup menus, and various functions.
5. **IR Sensor:** Aim the remote control here to adjust the unit's settings.
6. **Master Volume:** Use this knob to control the master volume of the unit.
7. **Zone On/Off:** Use this switch to turn zone two on or off.
8. **Zone Select:** Use this button to select which source input is mapped to Zone 2.
9. **Sleep:** Use this switch to set the sleep timer in increments of 10 minutes up to 120 minutes.
10. **Status:** Use this switch to display information about the audio source, HDMI connection, and Unlock status.
11. **Tuner +/-:** Use these buttons to select the FM radio channel.
12. **Dimmer:** Use the switch to control the brightness of the VFD display.
13. **Media:** Use this to switch to a connected USB flash drive, Internet Radio, or media server.
14. **Bluetooth:** Press this button to pair the unit with a Bluetooth device. Press and hold this button for 3 seconds to disconnect from a paired Bluetooth device.
15. **Quick Selects:** Use these switches to select preset audio, video, or HDMI input sources.
16. **Key Lock:** Press and hold this button for 3 seconds to lock all other switches on the front panel. A message will be shown on the display indicating that all keys are locked.
17. **HDMI IN:** Connect a HDMI device to this front panel HDMI input.
18. **USB Port:** Connect a USB flash drive here with music and picture files. **WMA** (Windows Media Audio), **MP3** (MPEG-1 Audio Layer-3), **WAV**, **MPEG-4 AAC**, and **FLAC** (Free Lossless Audio Codec) are supported.

Rear Panel



1. **Digital Inputs:** Connect devices with coaxial and optical audio inputs here.
2. **Network Connector:** This connector is used to connect the unit to a LAN (local area network). The port is used to remotely control the unit, to stream audio from a media server, or to connect to Internet radio.
3. **Composite Video Inputs:** Connect video outputs from a composite video device here.
4. **HDMI Inputs:** Use these 5 HDMI inputs to directly route the video and audio from a Blu-ray player or DVD player to the HDMI output.
5. **HDMI Out:** Connect this HDMI output to a TV, projector, computer monitor, or DVR.
6. **Analog Audio Inputs:** Connect the audio output of your sound sources here.
7. **Serial Port:** This input lets you connect a host device (usually a computer) to DN-700AVP. You can use the host device to control DN-700AVP via commands sent from it (using RS-232C serial communication).
8. **Video Out (Composite):** Connect this video output to the video input of another video source.
9. **Video Inputs (Component):** Connect the video inputs to the video output of another video source.
10. **Video Outputs (Component):** Connect the video outputs to the video input of another video source.
11. **FM Tuner Antenna:** Connect the included antenna here to get reception for FM radio sources.
12. **CD In:** Connect these balanced XLR inputs to the output of a preamp or mixer.
13. **Input Level Setting Switch:** Adjust this to switch the audio input level to -10 dBv or +4 dBu.
14. **Balanced Outputs:** Connect these individual surround channel XLR outputs to the input of a mixer or preamp.
15. **Balanced Output Level:** Adjust this to switch the surround channel XLR output level to -10 dBv or +4 dBu.
16. **Power Input:** Connect the included power cable here.
17. **Zone 2 Outputs:** Sends the audio signal from the L/R and subwoofer output to another location.
18. **7.1 RCA Out:** Use these coaxial outputs to send individual channels of the surround mix of the audio to a speaker setup (75W per channel).
19. **Bluetooth Antenna:** The integrated antenna is used for Bluetooth reception.
20. **Firmware Update:** The "Service/Normal" switch is used to set the mode for the USB connection for the firmware upgrade. For normal operation, this switch should be left in the Normal position.

Display



1. **Decoder Indicators:** This illuminates when the respective decoders are operating.
2. **Input Signal Indicators:** This illuminates when an input signal is detected.
3. **Information Display:** The input source name, surround mode, setting values, and other information is shown here.
4. **Speaker Indicator:** This illuminates when the surround channel speaker is in use.
5. **Zone 2 Indicator:** This illuminates when Zone 2 is powered on.
6. **Master Volume Indicator:** This illuminates when the master volume is adjusted.
7. **Input Mode Indicators:** Sets the audio input modes for the different input sources.
8. **HDMI Indicator:** This illuminates when playing a source using a HDMI connection.

Remote Control

Power: Turns the power on and off for the unit.

Mute: Silences the sound output. Press again to resume the sound output.

Zone On/Off: Turns on/off the video/audio output for the selected zone.

Zone Select: Map Zone 2 to the desired source input.

Display: Press to view the input source settings on your TV or computer monitor.

Stereo Direct: In Stereo Direct mode, the audio is played back as close to how it was originally recorded.

Menu: Access the settings for adjusting video settings, audio settings, input sources, system settings, and the Setup Wizard.

Speaker Setup: Adjust the parameters for surround sound speaker outputs. Select the type of speaker (small or large) connected to the surround outputs using the ▲ or ▼ buttons.

Cursor Buttons: Selects an audio track or navigates through the menus.

Enter: Press to confirm a menu selection.

Back: Press to go to the previous menu or exit out of a menu.

OSD: Press to turn off the on-screen front panel display.

BD/DVD: Selects the BD/DVD input source.

GAME 1/2: Selects the GAME 1/2 input source.

SAT/CBL: Selects the SAT/CBL input source.

CD: Selects the CD input source.

Media: Selects the Multimedia input source.

BT: Selects the BT input source.

FM: Selects the FM input source.

HDMI: Press to cycle through one of the 6 HDMI input sources.

Surround: Select from the different surround sound modes.

DOCK: Selects the Dock input source.

Audio In: Select an audio input to map to the currently selected source. Select from **HDMI**, **Analog**, **Coax** (coaxial), and **Opt** (optical).

Station +/-: Press these buttons to cycle through one of 20 radio station memory locations.

Tone: Adjusts the treble and bass qualities for the sound source.

Channel Select: Press this button to cycle through each of the surround sound channels. Press the ▲ or ▼ buttons to adjust the channel level.

Volume +/-: Adjust the master volume for the input source.

|<<: Skip to the previous USB track or Bluetooth track.

>>|: Skip to the next USB track or Bluetooth track.

Play/Pause: Play/pause the USB track or Bluetooth track.

Stop: Stops the currently playing USB track or Bluetooth track.

Stereo: Press to select to have a stereo signal outputted alone or to have a stereo signal with the subwoofer output.

Stereo/Mono: Press this button to alternate between Stereo mode and Mono mode.

Sub On/Off: Turn the subwoofer audio output on/off.

LFE Trim: This Low Frequency Effect emphasizes low frequency sound, outputting 20 Hz – 120 Hz bass. This adjusts the level of the low-frequency effects channel in a movie soundtrack or multi-channel music recording. Note that this is not a subwoofer level control, so it will work only on 5.1 channel soundtracks that contain a LFE.

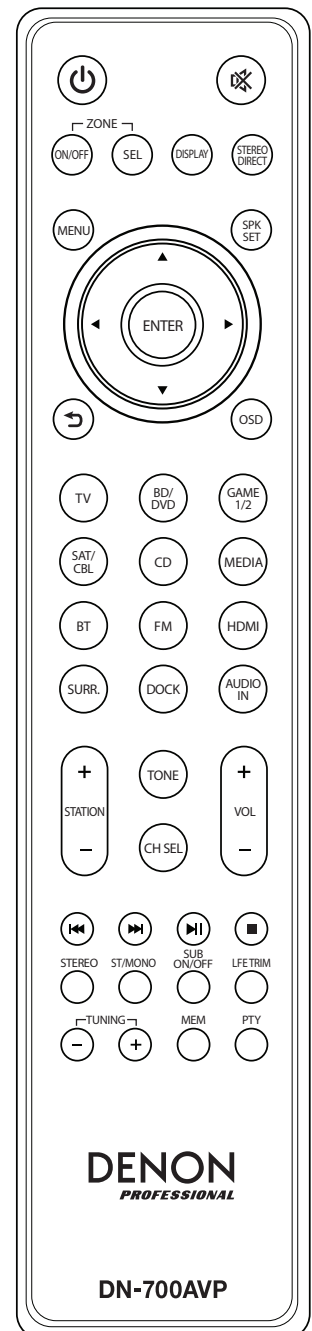
Tuning +/-: Selects the FM radio station.

Memory: When playing back files from a network/media server or listening to the radio, press **Mem** to register the file/radio station as a favorite preset.

PTY (Program Type) Search: In Tuner mode, press this button to search for and store a certain style of radio programming.

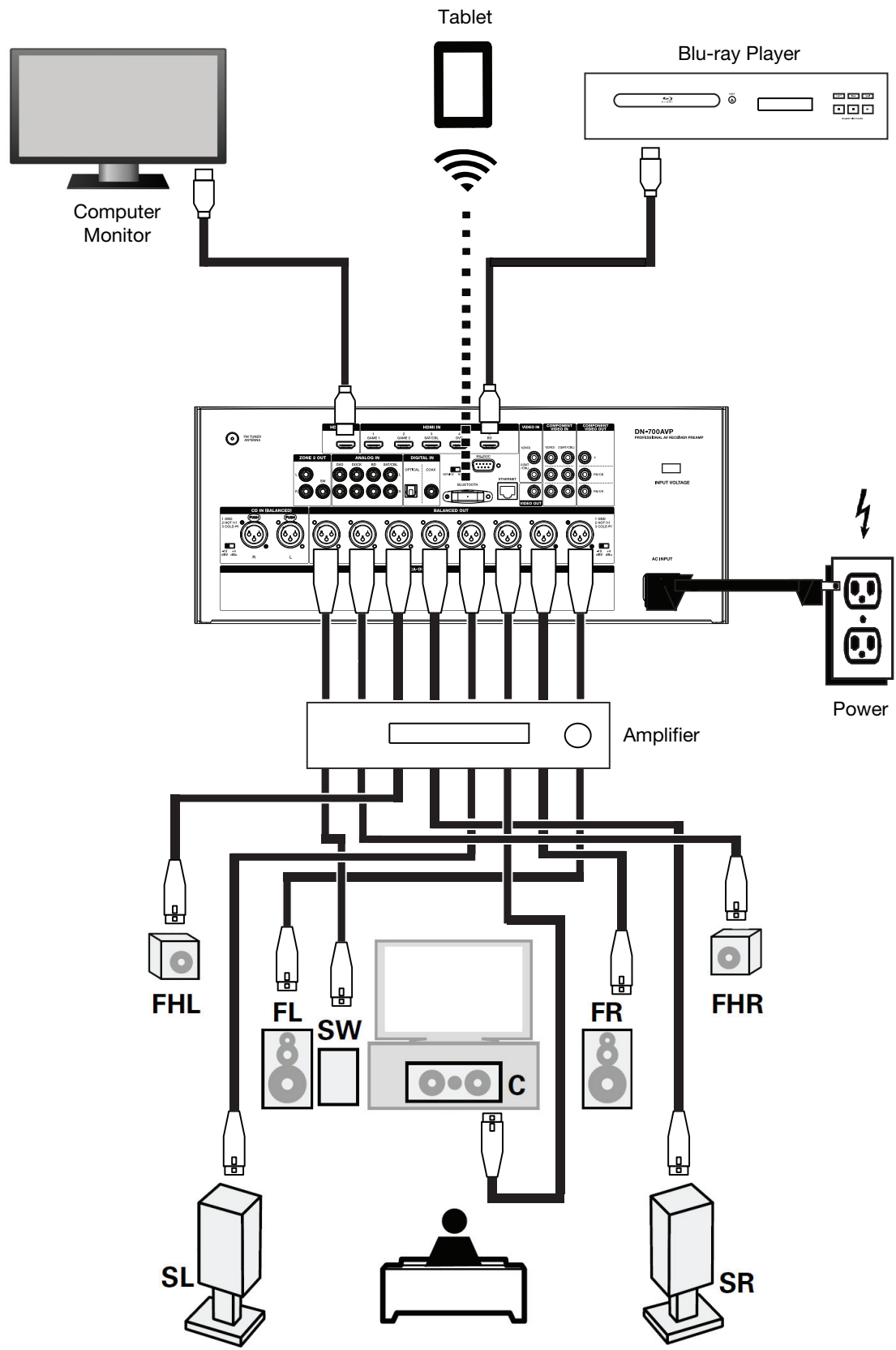
1. When in Tuner mode, press the **PTY** button. "PTY SEL" will show on the display.
2. Choose the PTY program using the **Tuner +** or **Tuner -** buttons.
3. Press **PTY** to confirm the selection. "PTY SRH" will show on the display.

If the PTY program is found, the new program will play. If no PTY program is found, "No found" will show on the display.



Setup

Items not listed under *Introduction > Box Contents* are sold separately.



Getting Started

Use the **Setup Wizard** to adjust the following settings:

- Set the language for the instructions seen on your TV/computer monitor.
 - Set the audio/video source and sound options for each speaker.
 - Configure the settings so that connected devices can be operated using the included remote control.
 - Configure network settings to play audio files from a media server or Internet radio.
1. Connect your surround sound speakers to DN-700AVP.
 2. Switch your television/computer monitor to the input source connected to DN-700AVP's HDMI output.
 3. Power on DN-700AVP.
 4. Press **Zone Select** to map the Zone 2 to the desired source input.
 5. Press **Enter** to start the **Setup Wizard**.
 6. Follow the **Setup Wizard** instructions to setup your video and audio sources.

Operation

Selecting an Input Source

To select from the input source options, turn the **Source Select** knob on the front panel or press one of the **Quick Select** buttons. Alternatively, press one of the pre-mapped source buttons on the remote control.

Saving Sources to Quick Select Buttons

1. Use the **Source Select** knob to select an input source.
2. Press and hold one of the **Quick Select** buttons for 2 seconds. The selected source will be stored to the **Quick Select** location.

Adjusting Individual Surround Channel Volume

Press the **Channel Select** button on the remote control to cycle through each of the surround sound channels. Use the **▲** or **▼** buttons to adjust the individual channel volume.

Adjusting the Master Volume

Adjust the **Master Volume** using the front panel knob. Alternatively, use the remote control **▲** or **▼** buttons to adjust the master volume. Press the **Mute** button on the remote control to turn off the sound temporarily. To cancel muting, press the **Mute** button again, adjust the **Master Volume** knob, or adjust the remote control **Vol +/-** buttons.

Assigning Sources to the Input Connectors

This screen appears when the **Input Setup ▶ Each Input Source ▶ Input Assign** menu is selected. Use the Input Assign menu to route the HDMI inputs, digital inputs, and component inputs to the different sources.

1. If DN-700AVP is powered off, press the **Power** button to power it on.
2. Press the **Menu** button on the remote control. Use the **▲, ▼, ◀, ▶** buttons to navigate to the **Input Setup ▶ Each Input Source ▶ Input Assign** menu.
3. Use the **▲, ▼, ◀, ▶** buttons to move to the source you want to set.
4. Press **Enter**, then use cursor **◀** and **▶** buttons to select the input to be assigned.
5. Press **Enter** to save the setting.

Notes:

- The default HDMI connector assignments/source numbers can be seen on the rear panel. These HDMI connectors can be reassigned to different input sources. For example, the Blu-ray source which is assigned to **(5) BD** by default can be reassigned to input **(2) Game 2** from the Input Assign menu.
- An input source to which an HDMI input connector cannot be assigned will be seen as ---.
- To play the video signal assigned at **HDMI** combined with the audio signal assigned at **Input Assign ▶ Digital**, select **Digital** in the **Input Mode**.
- When **HDMI Control** is set to On, the HDMI input cannot be assigned to **TV**.

Using the Dock Audio Inputs for Media Playback

1. If DN-700AVP is powered off, press the **Power** button to power it on.
2. Connect your media device to the Dock inputs on DN-700AVP.
3. Press **Dock** on the remote control or use the **Source Select** knob to choose **Dock** as the audio input source.
4. Start playback from your media device and adjust the source volume.

Playing Files on a USB Flash Drive

A USB flash drive can be connected to the USB port of this unit to play music and picture files. Only USB flash drives conforming to mass storage class and MTP (Media Transfer Protocol) standards can be played on DN-700AVP, in the FAT16 or FAT32 format.

The supported file formats are: **WMA** (Windows Media Audio), **MP3** (MPEG-1 Audio Layer-3), **WAV**, **MPEG-4 AAC**, and **FLAC** (Free Lossless Audio Codec).

To play files on a USB flash drive:

1. If DN-700AVP is off, press the **Power** button to power it on.
2. Connect your USB flash drive (mass storage class) to the USB port.
3. Select **Multimedia** as your desired media type and use the **Cursor ◀** and **▶** buttons on the remote control to select **USB**.
4. Select a file from the list displayed on DN-700AVP or your TV/computer monitor.
To move through audio files or folders, press the **Cursor ◀** and **▶** buttons on the remote control. Press **Enter** to open a folder or to select an audio file to begin playing.

Playing Audio from a Bluetooth Device

1. If DN-700AVP is powered off, press the **Power** button to power it on.
2. Use the **Source Select** knob to choose **Bluetooth**.
3. Press the **Bluetooth** button.
4. Navigate to your Bluetooth device's setup screen, find "DN-700AVP" and connect.
5. Begin to play music on your Bluetooth device.
To disconnect a paired Bluetooth device, press and hold the **Bluetooth** button for 3 seconds. Alternatively, use the **Source Select** knob to choose another playback source and disconnect pairing.
Note: If your Bluetooth device prompts for a pairing code, enter **0000**.

Listening to the Radio

1. If DN-700AVP is powered off, press the **Power** button to power it on.
2. Use the **Source Select** knob to choose **Tuner**. The audio from the broadcast will start automatically.
Important: Make sure you have properly connected the FM antenna.
3. To select a radio station, use the **Tuner +/-** buttons on the unit or the **Tuning +/-** buttons on the remote control. Hold either the **Tuning +** or **Tuning -** button down for 2 seconds to scan and stop at the next radio station with a strong signal.
Note: RDS is a method for the transmission of additional information via VHF stations. For example, the name of the station broadcasting, the name of the program, or the type of program will be shown on the multifunction display. It can only function if the local broadcasting stations have the RDS transmission and the signal is strong enough.

To save/recall a radio station preset:

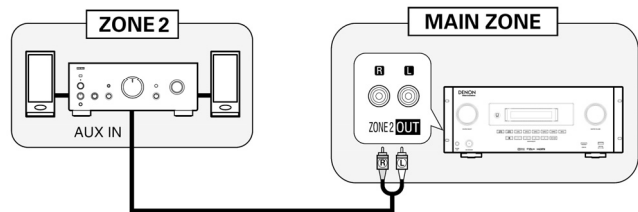
1. If DN-700AVP is powered off, press the **Power** button to power it on.
2. Use the **Source Select** knob to choose **Tuner**.
3. Select a radio station using the **Tuner +/-** buttons on the unit or the **Tuning +/-** buttons on the remote control.
4. Press the **Mem** button on the remote control, then press the **Tuning +/-** buttons to select a preset memory location. Press the **Mem** button again to save the radio station to the selected location.
5. To recall a saved radio station, press the **Station +/-** buttons to cycle through the saved radio station presets.

Playing Audio from the Zone 2 Outputs

You can simultaneously play back the same audio source in both the Main Zone and Zone 2.

1. Press **Zone On/Off** to turn on the Zone 2 power.
2. Press **Zone Select** to map Zone 2 to the desired source input.
3. Play back your audio source.

Note: It is not possible to play digital input signals using the HDMI, Coaxial, or Optical input for Zone 2.



Connecting to a Network

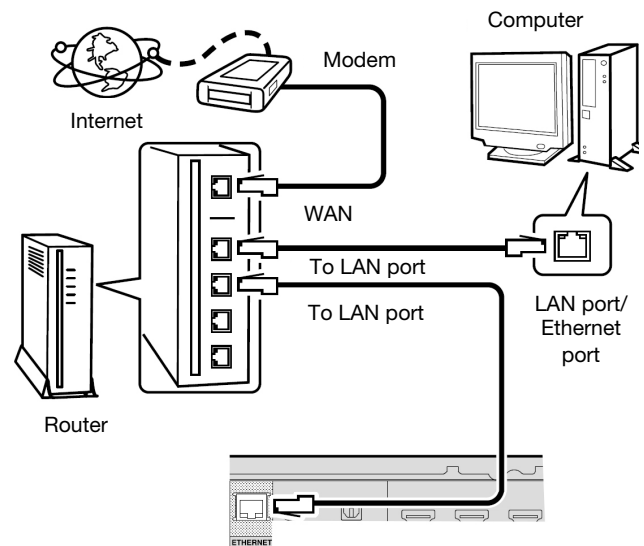
You can play music files stored on a computer or from Internet radio stations via your network (LAN).

Required equipment:

- **Broadband Internet connection**
- **Modem**
- **Router:** We recommend using a router equipped with a built-in DHCP server and a built-in 100BASE-TX switch. When connecting multiple devices, we recommend a switching hub with a speed of 100 Mbps or greater.
- **Ethernet cable (CAT-5 or greater recommended):** Use only a shielded STP or ScTP LAN cable. If you are using an Internet service on which network settings are made manually or with no DHCP function, adjust the settings directly from the Network Setup menu. When adjusting network settings manually, confirm the settings with your network administrator. Do not connect the Ethernet cable from DN-700AVP directly to the LAN port/Ethernet connector on your computer.

1. Connect your Ethernet cable from DN-700AVP to your network.
2. Turn on DN-700AVP. DN-700AVP will connect automatically on networks with DHCP.

When connecting to a network that has no DHCP function, manually adjust the settings in the Network Connect menu.



Playing Network/Media Server Files

1. If DN-700AVP is powered off, press the **Power** button to power it on.
2. Use the **Source Select** knob to choose **Multimedia** as the source, select **Media Server** using the ▲ or ▼ buttons, then press **Enter** or ►.
3. Press the ▲ or ▼ buttons to select the server, then press **Enter** or ►.
4. Use the ▲ or ▼ buttons to select the file, then press **Enter** or ►.
Playback will begin once buffering reaches “100%”.

Listening to Streaming Music/Internet Radio

You can listen to streaming music services or radio broadcasts distributed over the Internet. The Internet radio stations can be selected by genre and location.

1. If DN-700AVP is powered off, press the **Power** button to power it on.
2. Verify that the network settings on DN-700AVP are correct.
3. Use the **Source Select** knob to choose **Multimedia**.
4. Use the **Cursor** ◀ and ▶ buttons on the remote control to select a music streaming service or an Internet radio station, then press **Enter** or ►.
5. Press ▲ or ▼ to select the station, then press **Enter** or ►.
Playback will begin once buffering reaches “100%”.

Saving Internet radio stations as Favorites

1. If DN-700AVP is powered off, press the **Power** button to power it on.
2. Use the **Source Select** knob to choose **Multimedia**.
3. Use the **Cursor** ◀ and ▶ buttons on the remote control to select an Internet radio station, then press **Enter** or ►.
4. Select an Internet radio station, then press **Enter** or ► to start playback.
5. While the Internet radio station you want to store as a preset is playing, press **Mem**.
6. Press ▲ or ▼ to select **Favorites**, then press **Enter**.
7. Press ◀ to select **Add**.

Listening to Internet radio stations registered in your Favorites

1. If DN-700AVP is powered off, press the **Power** button to power it on.
2. Use the **Source Select** knob to choose **Multimedia**.
3. Use the **Cursor** ◀ and ▶ buttons on the remote control to select **Favorites**.
4. Press ▲ or ▼ to select the Internet radio station, then press **Enter** or ►.
Playback will begin once buffering reaches “100%”.

Troubleshooting

If you encounter a problem, try doing these things first:

- Make sure all cables and other connected devices are properly and securely connected.
- Make sure you are using DN-700AVP as described in this user guide.
- Make sure your other devices or media are working properly.
- If you believe DN-700AVP is not working properly, check the following table for your problem and solution.

Problem:	Solution:
Power does not turn on.	Make sure the power cable is properly connected to DN-700AVP and the power outlet.
The Display is off	Set the Dimmer to a setting other than "Off".
The power button indicator blinks red at 2 second intervals	The temperature inside the unit has risen. Turn off the power and re-apply the power after the temperature has sufficiently fallen. Re-install the unit in a place with good ventilation.
No audio is outputted	Check the audio cable connections. When outputting HDMI audio from the speakers, set "HDMI Audio Out" on the menu to "AMP". Ensure the sound is not muted. When outputting HDMI audio from a TV, set "HDMI Audio Out" on the menu to "TV".
No video is outputted.	Check the video cable connections. Set the source on DN-700AVP to match the connected video input. Set your TV to the correct input source. If using HDMI cables, check whether the TV is compatible with copyright protection (HDCP). If connected to a device not compatible with HDCP, video will not be output correctly.
Dolby TrueHD, DTSHD, Dolby Digital Plus audio is not outputted.	Ensure HDMI cables are used.
When a USB flash drive is connected, "USB" is not displayed in the menu.	Check that the USB flash drive is properly connected. Ensure a USB flash drive conforming to mass storage class or MTP standards is connected. Connect the USB flash drive directly to the USB port (not through a USB hub).
Files on a USB flash drive cannot be played.	Ensure the USB flash drive has been formatted as FAT16 or FAT32. If the USB flash drive is divided into multiple partitions, only files stored in the top partition can be played. The file type is not supported. You are attempting to play a file that is copyright protected. Files that are copyright protected cannot be played on this unit.
The file names are not displayed properly ("...", etc.).	Unsupported file name characters are used. Characters that cannot be displayed are replaced with a ".".

Problem:	Solution:
Files stored on a computer/media server cannot be played.	Files are stored in a non-compatible format. Files that are copyright protected cannot be played on this unit.
The computer/media server is not found or cannot connect.	The computer or router's firewall is activated. Ensure the computer's power is turned on. Ensure the server is launched. Ensure the correct IP address is being used.
Sound is poor during playback over a network.	The network's signal transfer speed is slow or the Internet radio station is congested.
Audio from my Bluetooth device does not play through DN-700AVP.	Make sure you have properly paired your Bluetooth device. Improve the Bluetooth signal reception by moving your Bluetooth device closer to DN-700AVP. Bluetooth range is affected by walls, obstructions, and movement. For optimal performance, place your device in your room at line of sight, so it is unaffected by walls, furniture, etc.
Pairing my Bluetooth device to DN-700AVP requires a PIN.	Enter 0000 as the PIN. (Some older Bluetooth devices may require you to enter a PIN.)
DN-700AVP cannot be operated with the remote control.	Replace with new batteries. Operate the remote control unit within a distance of about 23 feet (7 m) from the unit and at an angle of within 30° of the front panel IR sensor. Remove any obstacle between this unit and the remote control. The unit's remote control sensor is exposed to strong light (direct sunlight, fluorescent lights, etc.). Move the unit to a place in which the remote control sensor will not be exposed to strong light.

Guía del usuario (Español)

Introducción

Contenido de la caja

DN-700AVP

Cable de corriente

Antena de FM

Control remoto

Guía del usuario

Manual sobre la seguridad y garantía

Soporte

Para obtener la información más reciente acerca de este producto (documentación, especificaciones técnicas, requisitos de sistema, información de compatibilidad, etc.) y registrarlo, visite denonpro.com.

Para obtener soporte adicional del producto, visite denonpro.com/support.

Seguridad y precauciones

- Mantenga a esta unidad alejada de la humedad, el agua y el polvo.
- No bloquee los orificios de ventilación.
- No permita que caigan objetos extraños en los orificios de ventilación.

Antes de encender la unidad

- Compruebe que todas las conexiones sean correctas y que no haya problemas con los cables de conexión.
- Se suministra corriente a algunos de los circuitos aun cuando la unidad está en modo de espera. Si planea no utilizar la unidad durante un largo período, asegúrese desenchufar el cable de corriente de la toma de corriente.

Condensación

- Si existe una gran diferencia de temperatura entre el interior de la unidad y los alrededores, puede acumularse condensación (rocío) en las piezas operativas en el interior de la unidad, haciendo que la unidad no funcione correctamente. Si esto ocurriera, deje la unidad apagada durante una o dos horas y espere hasta que haya una menor diferencia de temperatura antes de utilizar la unidad.

Precauciones sobre el uso de teléfonos móviles

- Usar un teléfono móvil cerca de esta unidad podría dar como resultado interferencia en las señales de vídeo y audio. Si esto ocurriera, aleje el teléfono móvil de la unidad cuando lo esté utilizando.

Tiempo de funcionamiento para uso continuo

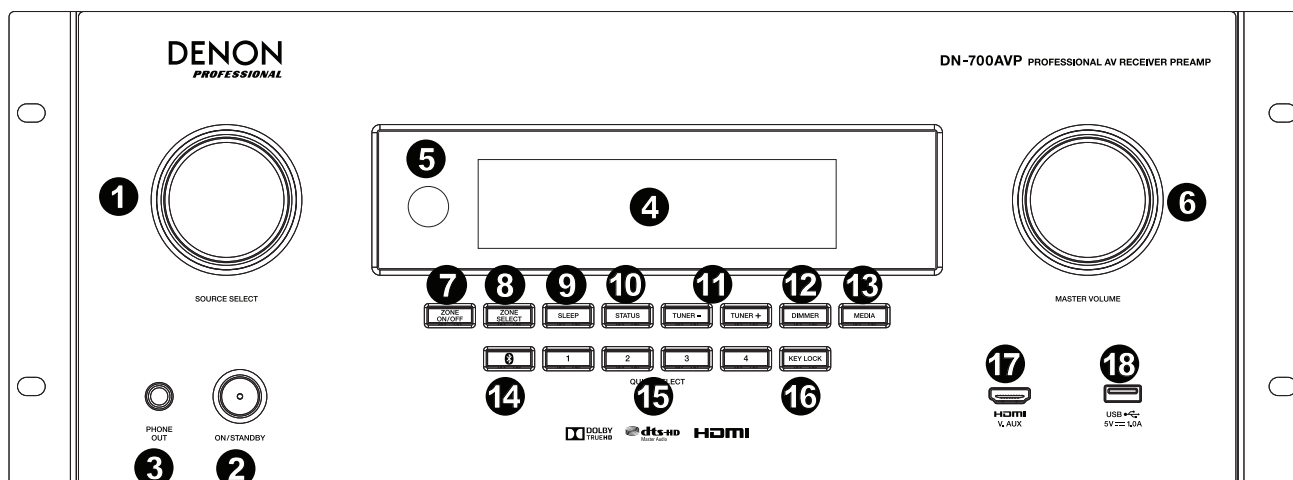
- Esta unidad se puede usar de manera continua durante un máximo de 24 horas. Usar esta unidad más de 24 horas podría dar como resultado que las operaciones no funcionen correctamente. Para seguir utilizando la unidad durante más de 24 horas, reiníciela cada 24 horas.

Mantenimiento y limpieza

- Limpie el gabinete y el panel de control con un paño no abrasivo suave.
- El benceno, diluyente de pintura y otros solventes podrían causar decoloración si entran en contacto con la unidad y por lo tanto no deben usarse.

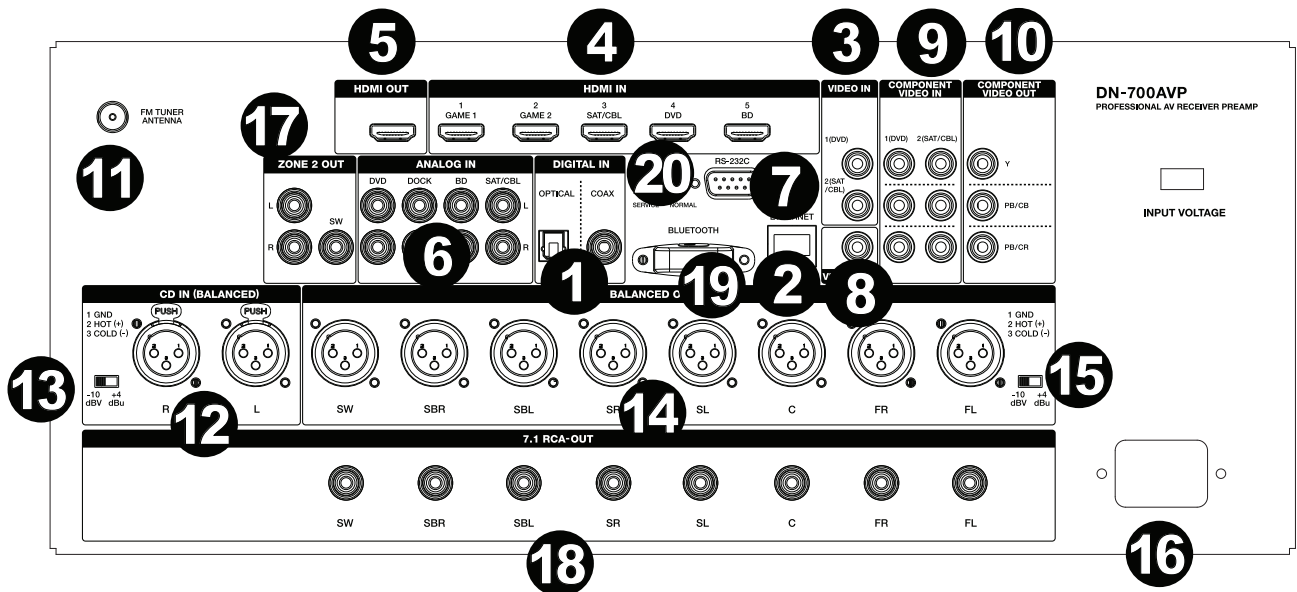
Características

Panel frontal



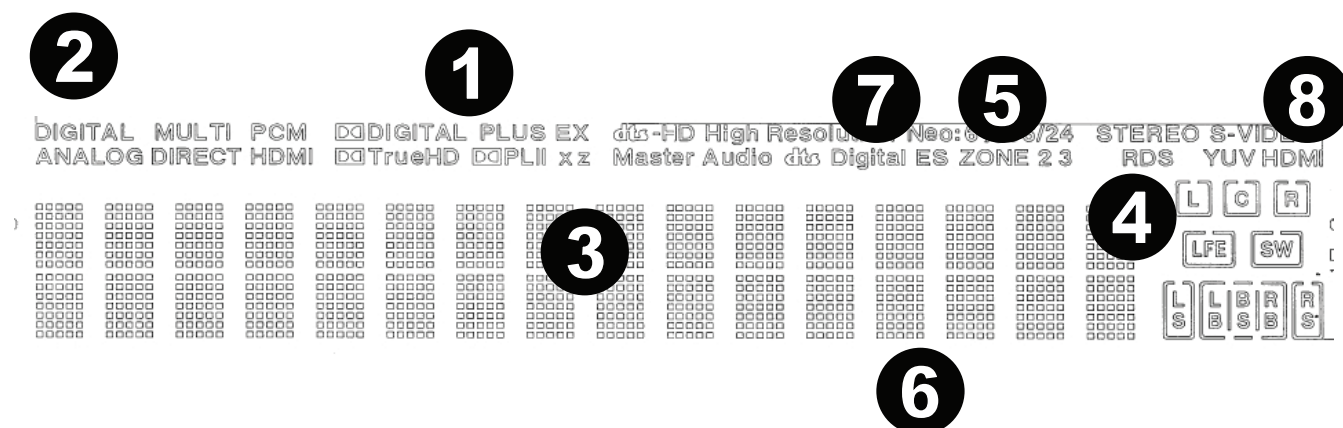
1. **Perilla Source Select:** Gire esta perilla para seleccionar la fuente de entrada. Seleccione entre Bluetooth, TV, Sintonizador, DVD, Estación de acoplamiento, BD, SAT/CBL, Juego 1, Juego 2, CD y Multimedia (seleccione un servicio de streaming de música, radio por Internet, archivos favoritos guardados en una red, un servidor de medios o una unidad de almacenamiento USB conectada).
2. **ON/Standby:** Pulse este botón para encender o apagar la unidad. Cuando la unidad este apagada, se encontrará en modo de espera.
3. **Salida para auriculares:** Conecte auriculares a esta salida de 6,35 mm (1/4 pulg.).
4. **Pantalla VFD:** La pantalla se usa para mostrar información sobre la fuente de audio seleccionada, la estación de radio FM, la radio de internet, los menús de configuración y diversas funciones.
5. **Sensor infrarrojo:** Apunte el control remoto hacia aquí para cambiar los ajustes de la unidad.
6. **Master Volume:** Utilice esta perilla para controlar el volumen maestro de la unidad.
7. **Zone On/Off:** Utilice este interruptor para encender y apagar la zona dos.
8. **Zone Select:** Utilice este botón para seleccionar la fuente de entrada que se asigna a la Zona 2.
9. **Sleep:** Utilice este interruptor para ajustar el temporizador de hibernación en incrementos de 10 minutos hasta 120 minutos.
10. **Status:** Utilice este interruptor para mostrar información sobre la fuente de audio, conexión HDMI y estado de desbloqueo.
11. **Tuner +/-:** Utilice estos botones para seleccionar el canal de radio FM.
12. **Dimmer:** Utilice este interruptor para controlar el brillo de la pantalla de VFD.
13. **Media:** Utilice este interruptor para alternar entre una unidad de almacenamiento USB conectada, una radio de Internet o un servidor de medios.
14. **Bluetooth:** Pulse este botón para aparear la unidad con un dispositivo Bluetooth. Mantenga pulsado este botón durante 3 segundos para desconectar la unidad de un dispositivo Bluetooth apareado.
15. **Quick Selects:** Utilice estos interruptores para seleccionar fuentes de audio, vídeo o HDMI predefinidas.
16. **Key Lock:** Mantenga pulsado este botón durante 3 segundos para bloquear todos los demás interruptores del panel delantero. Aparecerá un mensaje en la pantalla indicando que todas las teclas están bloqueadas.
17. **Entrada HDMI:** Conecte un dispositivo HDMI a la entrada HDMI este panel delantero.
18. **Puerto USB:** Conecte aquí una unidad de memoria USB con archivos de música e imágenes. (La unidad soporta **WMA** (Windows Media Audio), **MP3** (MPEG-1 Audio Layer-3), **WAV**, **MPEG-4 AAC**, y **FLAC** (Free Lossless Audio Codec).

Panel trasero



1. **Entradas digitales:** Conecte aquí dispositivos con entradas de audio coaxial y óptico.
2. **Conector de red:** Este conector se utiliza para conectar la unidad a una LAN (red de área local). El puerto se utiliza para controlar remotamente la unidad, para transmitir audio desde un servidor de medios o para conectarse a una radio de internet.
3. **Entradas de vídeo compuesto:** Conecte aquí las salidas de vídeo de un dispositivo de vídeo compuesto.
4. **Entradas HDMI:** Utilice estas 5 entradas HDMI para encaminar el vídeo y audio proveniente de un reproductor Blu-ray o de DVD directamente hacia la salida HDMI.
5. **Salida HDMI:** Conecte esta salida HDMI a un TV, proyector, monitor de ordenador o DVR.
6. **Entradas de audio analógicas:** Conecte la salida de audio de sus fuentes de sonido aquí.
7. **Puerto en serie:** Esta entrada le permite conectar un dispositivo anfitrión (usualmente un ordenador) al DN-700AVP. Puede utilizar dispositivo anfitrión para controlar el DN-700AVP mediante el envío de comandos (utilizando la comunicación en serie RS-232C).
8. **Salida de vídeo (compuesto):** Conecte esta salida de vídeo a la entrada de vídeo de otra fuente de vídeo.
9. **Entradas de vídeo (componente):** Conecte las entradas de vídeo a la salida de vídeo de otra fuente de vídeo.
10. **Salidas de vídeo (componente):** Conecte las salidas de vídeo a la entrada de vídeo de otra fuente de vídeo.
11. **FM Tuner Antenna:** Conecte aquí la antena incluida para poder captar las fuentes de radio FM.
12. **CD In:** Conecte estas entradas XLR balanceadas a la salida de un preamplificador o mezclador.
13. **Interruptor de ajuste de nivel de entrada:** Ajuste este interruptor para cambiar el nivel de entrada de audio a -10 dBv o +4 dBu.
14. **Salidas balanceadas:** Conecte estas salidas XLR de canal surround individual a la entrada de un mezclador o preamplificador.
15. **Nivel de salida balanceada:** Ajuste este interruptor para cambiar el nivel de salida XLR del canal surround a -10 dBv o +4 dBu.
16. **Entrada de corriente:** Conecte aquí el cable de alimentación incluido.
17. **Salidas de la Zona 2:** Envía la señal de audio desde la salida L/R y de subwoofer a otra ubicación.
18. **7.1 Salida RCA:** Utilice estas salidas coaxiales para enviar los canales individuales de la mezcla de audio surround a un conjunto de altavoces (75 W por canal).
19. **Antena Bluetooth:** La antena integrada se usa para la recepción de Bluetooth.
20. **Actualización de firmware:** El interruptor "Service/Normal" se utiliza para ajustar el modo de la conexión USB para la actualización de firmware. Para que la unidad funcione de modo normal, este interruptor debe dejarse en la posición Normal.

Pantalla



- Indicadores del decodificador:** Estos indicadores se iluminan cuando los respectivos decodificadores están funcionando.
- Indicadores de la señal de entrada:** Estos indicadores se iluminan cuando se detecta una señal de entrada.
- Pantalla de información:** Aquí se muestra el nombre de la fuente de entrada, el modo de surround, los ajustes de la configuración y demás información.
- Indicador del altavoz:** Este indicador se ilumina cuando el altavoz del canal de surround se encuentra en uso.
- Indicador de la Zona 2:** Este indicador se ilumina cuando la Zona 2 está encendida.
- Indicador de volumen maestro:** Este indicador se ilumina cuando se ajusta el volumen maestro.
- Indicador de modo de entrada:** Ajusta los modos de entrada de audio para las diferentes fuentes de entrada.
- Indicador HDMI:** Este indicador se ilumina cuando se está reproduciendo una fuente utilizando una conexión HDMI.

Control remoto

Encendido: Enciende y apaga la unidad.

Silencio: Silencia la salida de sonido. Púlselo nuevamente para reanudar la salida de sonido.

Encendido/apagado de zona: Enciende/apaga la salida de vídeo/audio para la zona seleccionada.

Selección de zona (Sel): Asigne la Zona 2 a la entrada de la fuente deseada.

Pantalla: Pulse este botón para visualizar los ajustes de la fuente de entrada del monitor de su TV u ordenador.

Stereo Direct: En modo Stereo Direct, el audio se reproduce lo más parecido a cómo se grabó originalmente.

Menu: Acceda a los ajustes para configurar los ajustes de vídeo, los ajustes de audio, las fuentes de entrada, los ajustes del sistema y el Asistente de configuración.

Ajuste de altavoz (Spk Set): Ajuste los parámetros de las salidas de los altavoces del sonido surround. Seleccione el tipo de altavoz (pequeño o grande) conectado a las salidas de surround utilizando los botones ▲ o ▼.

Botones del cursor: Selecciona una pista de audio o se desplaza a través de los menús.

Enter: Pulse para confirmar una selección del menú.

Volver: Pulse para volver al menú anterior o salir de un menú.

OSD: Pulse para apagar la pantalla del panel delantero.

BD/DVD: Selecciona la fuente de entrada BD/DVD.

GAME 1/2: Selecciona la fuente de entrada GAME 1/2.

SAT/CBL: Selecciona la fuente de entrada SAT/CBL.

CD: Selecciona la fuente de entrada CD.

Multimedia: Selecciona la fuente de entrada de multimedia.

BT: Selecciona la fuente de entrada BT.

FM: Selecciona la fuente de entrada FM

HDMI: Púlselo para recorrer las 6 fuentes de entrada HDMI.

Surround (Surr.): Seleccione uno de los diferentes modos de sonido surround.

DOCK: Selecciona la fuente de entrada de la estación de acoplamiento.

Audio In: Seleccione una entrada de audio para asignar a la fuente actualmente seleccionada. Seleccione entre **HDMI**, **Analog**, **Coax** (coaxial) u **Opt** (óptica).

Station +/-: Pulse estos botones para recorrer las 20 ubicaciones de memoria para estaciones de radio.

Tone: Ajusta la calidad de los graves y agudos de la muestra de sonido.

Selección de canal (Sel): Pulse este botón para alternar los canales de sonido surround. Pulse los botones ▲ o ▼ para ajustar el nivel del canal.

Volumen +/- (Vol): Ajuste el volumen de la fuente de entrada.

|<<: Pase a la pista USB o pista Bluetooth anterior.

>>|: Pase a la pista USB o pista Bluetooth siguiente.

Play/Pause: Reproduzca/ponga en pausa la pista USB o pista Bluetooth.

Parar: Detenga la pista USB o pista Bluetooth actualmente en reproducción.

Stereo: Púlselo para que se emita una señal estéreo sola o junto con la salida del subwoofer.

Estéreo/Mono (St/Mono): Pulse este botón para alternar entre el modo estéreo y el modo monoaural.

Sub On/Off: Activa y desactiva la salida de audio del subwoofer.

LFE Trim: Este efecto de baja frecuencia enfatiza los sonidos de baja frecuencia, emitiendo graves entre 20 y 120 Hz. Ajusta el nivel del canal de efectos de baja frecuencia de la banda de sonido de una película o grabación de música multi-canal. Tenga en cuenta que este no es un control de nivel de subwoofer, de manera que sólo funcionará en bandas de sonido de canales 5.1 que contengan LFE.

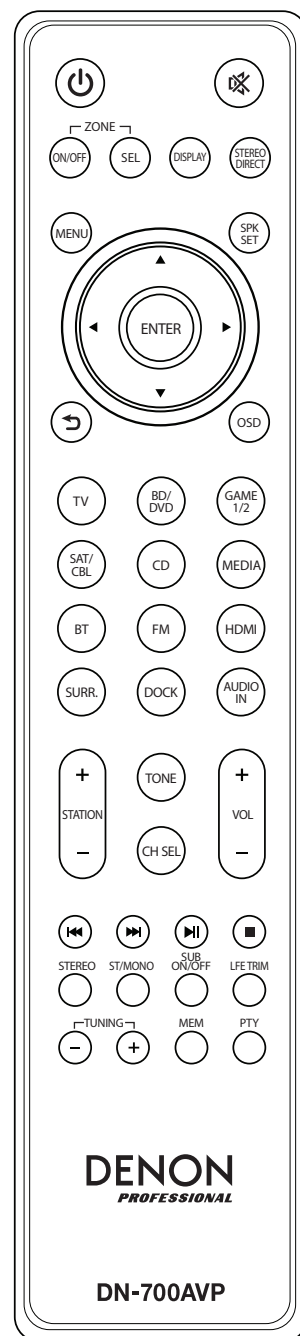
Tuning +/-: Selecciona la estación de radio FM.

Memoria (Mem): Al reproducir archivos desde una red/servidor de medios o al escuchar la radio, pulse **Mem** para registrar el archivo/estación de radio como un preset favorito.

Búsqueda de PTY (tipo de programa): En modo de sintonizador, pulse este botón para buscar y almacenar un estilo determinado de programa de radio.

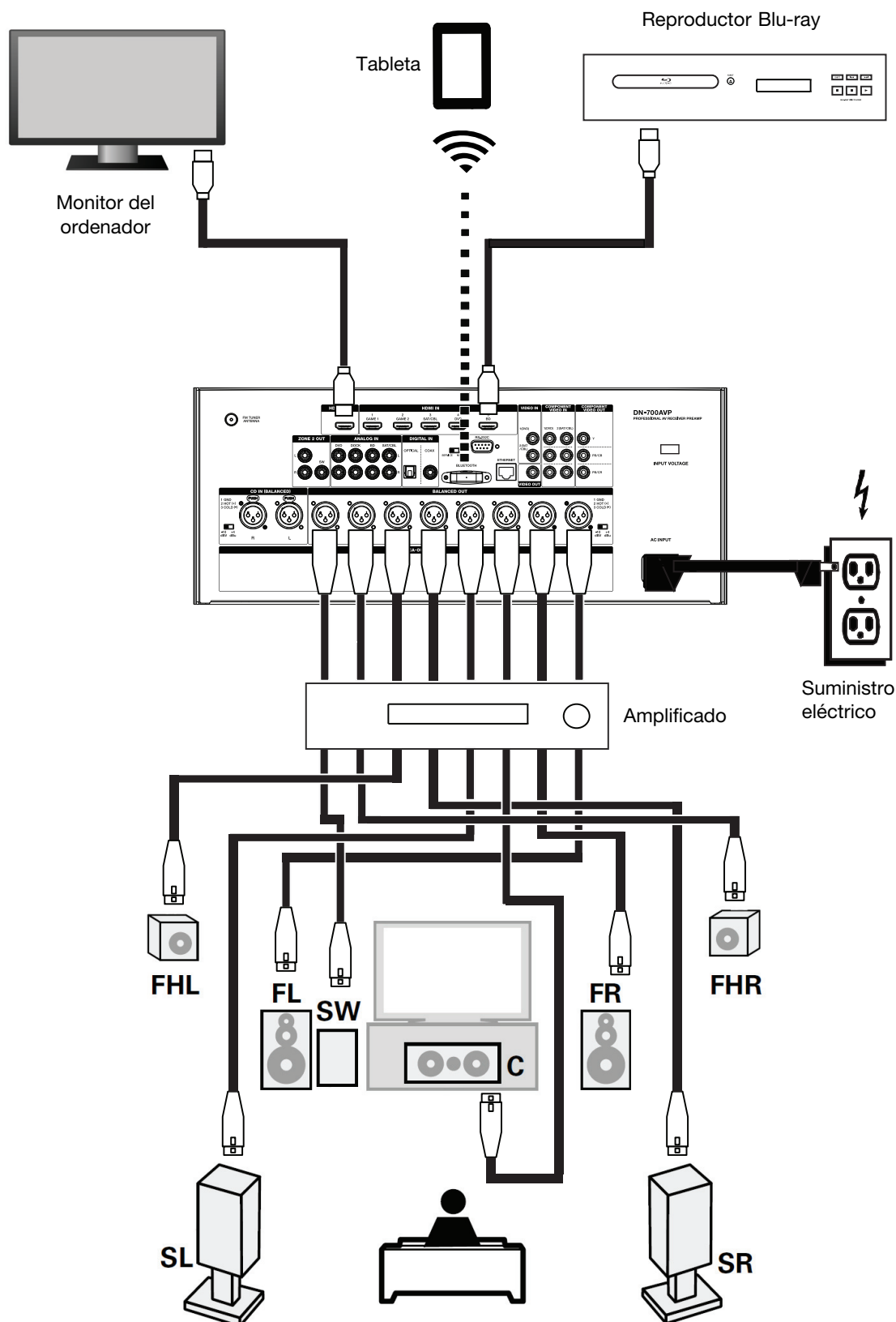
1. Cuando esté en modo Sintonizador, pulse el botón **PTY**. Aparecerá "PTY SEL" en la pantalla.
2. Seleccione el programa PTY utilizando los botones **Tuner +** o **Tuner -**.
3. Pulse **PTY** para confirmar la selección. Aparecerá "PTY SRH" en la pantalla.

Si se encuentra el programa PTY, se reproducirá el programa nuevo. Si no se encuentra el programa PTY, aparecerá "No found" en la pantalla.



Instalación

Los elementos que no se enumeran en *Introducción > Contenido de la caja* se venden por separado.



Para comenzar

Utilice el **Asistente de configuración** para configurar los siguientes ajustes:

- Ajuste el idioma de las instrucciones que aparecen en el monitor de su TV/ordenador.
 - Ajuste la fuente de audio/vídeo y las opciones de sonido de cada altavoz.
 - Configure los ajustes de manera que los dispositivos conectados puedan operarse usando el control remoto incluido.
 - Configure los ajustes de la red para reproducir archivos de audio desde un servidor de medios o desde una radio de internet.
1. Conecte sus altavoces de sonido surround al DN-700AVP.
 2. Ajuste el monitor de su televisor/ordenador para que muestre la fuente de entrada conectada a la salida HDMI del DN-700AVP.
 3. Encienda el DN-700AVP.
 4. Pulse **Zone Select** para asignar la Zona 2 a la entrada de audio deseada.
 5. Pulse **Enter** para abrir el **Asistente de configuración**.
 6. Si las instrucciones del **Asistente de configuración** para configurar sus fuentes de audio y vídeo.

Operación

Selección de una fuente de entrada

Para seleccionar una de las opciones de fuentes de entrada, gire la perilla **Source Select** del panel delantero o pulse uno de los botones **Quick Select**. Como alternativa, pulse uno de los botones de fuente preasignados del control remoto.

Como guardar fuentes en los botones de selección rápida

1. Use la perilla **Source Select** para seleccionar una fuente de entrada.
2. Mantenga pulsado uno de los botones **Quick Select** durante 2 segundos. La fuente seleccionada se almacenará en la ubicación **Quick Select**.

Como ajustar el volumen de un canal individual de surround

Pulse el botón **Channel Select** del control remoto para alternar entre cada uno de los canales de sonido surround. Utilice los botones ▲ o ▼ para ajustar el volumen del canal individual.

Cómo ajustar el volumen maestro

Ajuste el **Master Volume** utilizando la perilla del panel frontal. Como alternativa, utilice los botones ▲ o ▼ del control remoto para ajustar el volumen maestro. Pulse el botón **Mute** del control remoto para apagar el sonido temporalmente. Para cancelar el silenciamiento, pulse nuevamente el botón **Mute**, ajuste la perilla **Master Volume** o ajuste los botones **Vol +/-** del control remoto.

Como asignar fuentes a los conectores de entrada

Esta pantalla aparece cuando se selecciona el menú **Input Setup ▶ Each Input Source ▶ Input Assign** (Configuración de entradas ▶ Cada fuente de entrada ▶ Asignación de entrada) Utilice el menú de Asignación de entrada para encaminar las entradas de HDMI, las entradas digitales y las entradas de componente a diferentes fuentes.

1. Si el DN-700AVP está apagado, pulse el botón **Power** para encenderlo.
2. Pulse el botón **Menu** del control remoto. Utilice los botones **▲, ▼, ◀, ▶** para navegar hasta el menú **Input Setup ▶ Each Input Source ▶ Input Assign**.
3. Utilice los botones **▲, ▼, ◀, ▶** para navegar hasta la fuente que desea asignar.
4. Pulse **Enter** y luego use los botones del cursor **◀** y **▶** para seleccionar la entrada que será asignada.
5. Pulse **Enter** para guardar el ajuste.

Notas:

- Las asignaciones/números de fuente de conectores HDMI predeterminados se pueden ver en el panel trasero. Estos conectores HDMI se pueden reasignar a fuentes de entrada diferentes. Por ejemplo, la fuente Blu-ray que está asignada en forma predeterminada a **(5) BD** se puede reasignar a la entrada **(2) Juego 2** desde el menú Input Assign.
- Una fuente de entrada a la cual no se le puede asignar un conector de entrada HDMI se aparecerá como ---.
- Para reproducir la señal de vídeo asignada al **HDMI** combinada con la señal de audio asignada en **Input Assign ▶ Digital**, seleccione **Digital** en **Input Mode**.
- Cuando **HDMI Control** se ajusta a On (encendido), la entrada HDMI no se puede asignar a **TV**.

Cómo usar las entradas de audio de la estación de acoplamiento para la reproducción de medios

1. Si el DN-700AVP está apagado, pulse el botón **Power** para encenderlo.
2. Conecte su dispositivo de medios a las entradas de la estación de acoplamiento del DN-700AVP.
3. Pulse **Dock** en el control remoto o utilice la perilla **Source Select** para seleccionar **Dock** como la fuente de audio de entrada.
4. Comience la reproducción desde su dispositivo de medios y ajuste el volumen de la fuente.

Reproducción de archivos desde una unidad de memoria USB

Se puede conectar una unidad de memoria USB al puerto USB de esta unidad para reproducir archivos de música e imágenes. Solamente las unidades de memoria USB que cumplen con las normas de clase de dispositivo de almacenamiento masivo y MTP (Media Transfer Protocol) se pueden reproducir en el DN-700AVP, en el formato FAT16 o FAT32.

Los formatos de archivo compatibles son: **WMA** (Windows Media Audio), **MP3** (MPEG-1 Audio Layer-3), **WAV**, **MPEG-4 AAC** y **FLAC** (Free Lossless Audio Codec).

Cómo reproducir archivos en una unidad de memoria USB:

1. Si el DN-700AVP está apagado, pulse el botón **Power** para encenderlo.
2. Conecte su dispositivo de memoria USB (de clase de almacenamiento masivo) en el puerto USB.
3. Seleccione **Multimedia** como el tipo de medio deseado y utilice los botones del **cursor ◀** y **▶** del control remoto para seleccionar **USB**.
4. Seleccione un archivo de la lista que se muestra en el DN-700AVP o en el monitor de su TV/ordenador.
Para desplazarse por los archivos de audio o carpetas, pulse los botones del **cursor ◀** y **▶** del control remoto. Pulse **Enter** para entrar a una carpeta o para seleccionar un archivo de audio y comenzar a reproducirlo.

Reproducción de audio desde un dispositivo Bluetooth

1. Si el DN-700AVP está apagado, pulse el botón **Power** para encenderlo.
2. Utilice la perilla **Source Select** para seleccionar **Bluetooth**.
3. Pulse el botón **Bluetooth**.
4. Navegue a la pantalla de configuración de su dispositivo Bluetooth, busque "DN-700AVP" y establezca la conexión.
5. Reproduzca música en su dispositivo Bluetooth.

Para desconectar un dispositivo Bluetooth apareado, mantenga pulsado el botón **Bluetooth** durante 3 segundos. Como alternativa, utilice la perilla **Source Select** para seleccionar otra fuente de reproducción y desconectar el apareamiento.

Nota: Si su dispositivo Bluetooth solicita un código de apareamiento, introduzca **0000**.

Cómo escuchar radio

1. Si el DN-700AVP está apagado, pulse el botón **Power** para encenderlo.
2. Utilice la perilla **Source Select** para seleccionar **Tuner**. El audio de la radio comenzará automáticamente.
Importante: Asegúrese de tener la antena de FM correctamente conectada.
3. Para seleccionar una estación de radio, utilice los botones **Tuner +/-** de la unidad o los botones **Tuning +/-** del control remoto. Mantenga pulsado cualquiera de los botones **Tuning +** o **Tuning -** durante 2 segundos para explorar y detenerse en la siguiente estación de radio con buena señal.

Nota: El RDS es un método de transmisión de información adicional a través de las estaciones de VHF. Por ejemplo, el nombre de la estación que está transmitiendo, el nombre del programa o el tipo de programa aparecerá en la pantalla multifunción. Este sistema solo puede funcionar si las estaciones locales que transmiten tienen cuenta con el RDS y si la señal es lo suficientemente fuerte.

Para guardar/recuperar un preset de una emisora de radio:

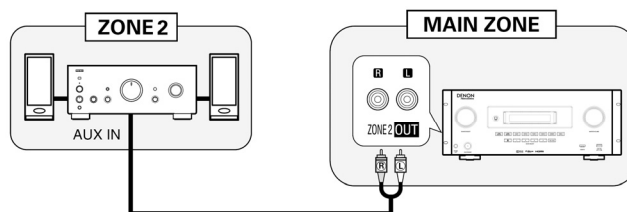
1. Si el DN-700AVP está apagado, pulse el botón **Power** para encenderlo.
2. Utilice la perilla **Source Select** para seleccionar **Tuner**.
3. Seleccione una estación de radio utilizando los botones **Tuner +/-** de la unidad o los botones **Tuning +/-** del control remoto.
4. Pulse el botón **Mem** del control remoto y luego pulse los botones **Tuning +/-** para seleccionar una ubicación de memoria predefinida. Pulse el botón **Mem** nuevamente para guardar la estación de radio en la ubicación seleccionada.
5. Para recuperar una estación de radio guardada, pulse los botones **Station +/-** para recorrer los presets de estaciones de radio guardadas.

Cómo reproducir audio desde las salidas de la Zona 2

Puede reproducir simultáneamente la misma fuente de audio tanto en la Zona principal como en la Zona 2.

1. Pulse **Zone On/Off** para encender la Zona 2.
2. Pulse **Zone Select** para asignar la Zona 2 a la entrada de audio deseada.
3. Reproduzca su fuente de audio.

Nota: No es posible reproducir señales de entrada digitales utilizando las entradas de HDMI, coaxial u óptica de la Zona 2.



Cómo conectarse a una red

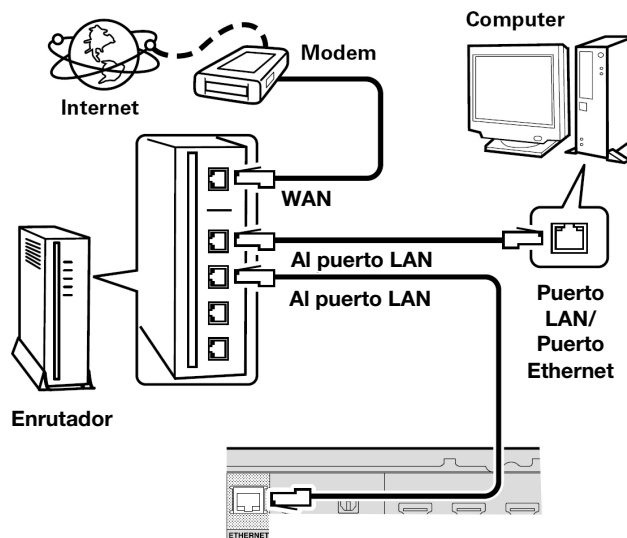
Puede reproducir los archivos de música almacenados en un ordenador o desde estaciones de radio de internet a través de su red (LAN).

Equipos requeridos:

- **Conexión a internet de banda ancha**
- **Módem**
- **Enrutador:** Recomendamos utilizar un enrutador equipado con un servidor de DHCP y un conmutador 100BASE-TX integrados. Al conectar múltiples dispositivos, recomendamos un conmutador de una velocidad de 100 Mbps o superior.
- **Cable Ethernet (se recomienda Cat 5 o superior):** Utilice únicamente un cable de LAN STP o ScTP blindado. Si está utilizando un servicio de internet cuyos ajustes de red se realizan manualmente o sin la función DHCP, configure los ajustes directamente desde el menú Network Setup. Al configurar los ajustes de la red manualmente, confírmelos con su administrador de red. No conecte el cable Ethernet desde el DN-700AVP directamente al puerto de LAN/conector Ethernet de su ordenador.

1. Conecte su cable Ethernet desde el DN-700AVP a su red.
2. Encienda el DN-700AVP. El DN-700AVP se conectará automáticamente con redes que tengan DHCP.

Al conectarse a una red que no tenga la función DHCP, configure manualmente los ajustes en el menú Network Connect.



Cómo reproducir archivos de la red/servidor de medios

1. Si el DN-700AVP está apagado, pulse el botón **Power** para encenderlo.
2. Utilice la perilla **Source Select** para seleccionar **Multimedia** como al fuente, seleccione **Media Server** utilizando los botones ▲ o ▼ y luego pulse **Enter** o ►.
3. Pulse los botones ▲ o ▼ para seleccionar el servidor y luego pulse **Enter** o ►.
4. Utilice los botones ▲ o ▼ para seleccionar el archivo y luego pulse **Enter** o ►.
La reproducción comenzará una vez que el búfer llegue al “100%”.

Como escuchar música por Streaming/radio de Internet

Puede escuchar servicios de Streaming de música o transmisiones de radio distribuidas por internet. Las estaciones de radio de internet se pueden seleccionar según su género y ubicación.

1. Si el DN-700AVP está apagado, pulse el botón **Power** para encenderlo.
2. Verifique que los ajustes de la red del DN-700AVP sean correctos.
3. Utilice la perilla **Source Select** para seleccionar **Multimedia**.
4. Utilice los botones del **cursor** ◀ y ▶ del control remoto para seleccionar un servicio de streaming de música o una estación de radio de internet y luego pulse **Enter** o ►.
5. Pulse ▲ o ▼ para seleccionar la estación y luego pulse **Enter** o ►.
La reproducción comenzará una vez que el búfer llegue al “100%”.

Cómo guardar estaciones de radio de Internet como favoritas

1. Si el DN-700AVP está apagado, pulse el botón **Power** para encenderlo.
2. Utilice la perilla **Source Select** para seleccionar **Multimedia**.
3. Utilice los botones del **cursor** ◀ y ▶ del control remoto para seleccionar una estación de radio de internet y luego pulse **Enter** o ►.
4. Seleccione una estación de radio de internet y luego pulse **Enter** o ► para comenzar a escucharla.
5. Mientras está escuchando la estación de radio de internet que desea almacenar como un preset, pulse **Mem**.
6. Pulse ▲ o ▼ para seleccionar **Favorites** y luego pulse **Enter**.
7. Pulse ◀ para seleccionar **Add**.

Cómo escuchar las estaciones de radio de internet almacenadas en sus Favoritos

1. Si el DN-700AVP está apagado, pulse el botón **Power** para encenderlo.
2. Utilice la perilla **Source Select** para seleccionar **Multimedia**.
3. Utilice los botones del **cursor** ◀ y ▶ de control remoto para seleccionar **Favorites**.
4. Pulse ▲ o ▼ para seleccionar la estación de radio de internet y luego pulse **Enter** o ►.
La reproducción comenzará una vez que el búfer llegue al “100%”.

Solución de problemas

Si experimenta problemas, intente estas soluciones primero:

- Asegúrese de que todos los cables y demás dispositivos conectados estén conectados firme y correctamente.
- Asegúrese de estar utilizando el DN-700AVP como se describe en esta Guía del usuario.
- Asegúrese de que todos sus otros dispositivos o medios funcionen correctamente.
- Si cree que el DN-700AVP no está funcionando correctamente, busque su problema y solución en la siguiente tabla.

Problema:	Solución:
La unidad no se enciende.	Asegúrese de que el conector de alimentación esté conectado firmemente al DN-700AVP y a la toma de corriente.
La pantalla está apagada.	Coloque el atenuador en un ajuste que no sea "Off".
El indicador del botón de encendido parpadea en rojo a intervalos de 2 segundos	La temperatura en el interior de la unidad ha aumentado. Apague la unidad y vuelva a encenderla una vez que la temperatura haya disminuido lo suficiente. Traslade la unidad a un lugar con mejor ventilación.
No se emite ningún audio	Verifique las conexiones de los cables de audio. Al emitir audio HDMI desde los altavoces, ajuste "HDMI Audio Out" en el menú a "AMP". Asegúrese de que el sonido no esté silenciado. Al emitir audio HDMI desde un TV, ajuste "HDMI Audio Out" en el menú a "TV".
No se emite ningún vídeo.	Verifique las conexiones de los cables de vídeo. Ajuste la fuente del DN-700AVP para que coincida con la entrada de vídeo conectada. Ajuste su TV a la fuente de entrada correcta. Si está utilizando cables HDMI, compruebe si el TV es compatible con la protección de copyright (HDCP). Si está conectado a un dispositivo que no es compatible con HDCP, el vídeo no se mostrará correctamente.
No se emite audio de Dolby TrueHD, DTS HD, Dolby Digital Plus.	Asegúrese de estar utilizando cables HDMI.
Cuando hay un dispositivo de memoria USB conectado, no aparece "USB" en el menú.	Compruebe si la unidad de memoria USB está correctamente conectada. Asegúrese de que el dispositivo conectado sea una unidad de memoria USB que cumple con las normas de clase de dispositivo de almacenamiento masivo o MTP. Conecte la unidad de memoria USB directamente en el puerto USB (no a través de un concentrador USB).
No se pueden reproducir los archivos de la unidad de memoria USB.	Asegúrese de que la unidad de memoria USB esté formateada en FAT16 o FAT32. Si la unidad de memoria USB está dividida en múltiples particiones, sólo podrán reproducirse los archivos almacenados en la partición superior. El tipo de archivo no es compatible. Está intentando reproducir un archivo que está protegido con copyright. Los archivos que están protegidos con copyright no se pueden reproducir en esta unidad.
Los nombres de los archivos no se muestran correctamente ("...", etc.).	Se están utilizando caracteres no compatibles en el nombre del archivo. Los caracteres que no se pueden mostrarse se reemplazan por un ".".

Problema:	Solución:
No se pueden reproducir los archivos almacenados en un ordenador/servidor de medios.	<p>Los archivos están almacenados en un formato incompatible.</p> <p>Los archivos que están protegidos con copyright no se pueden reproducir en esta unidad.</p>
El ordenador/servidor de medios no se encuentra o no se puede conectar.	<p>El cortafuegos del ordenador o del enrutador está activado.</p> <p>Asegúrese de que el ordenador esté encendido.</p> <p>Asegúrese de que el servidor se está ejecutando.</p> <p>Asegúrese de estar utilizando la dirección IP correcta.</p>
La calidad del sonido es mala al reproducir a través de la red.	La velocidad de transferencia de señal de la red es lenta o la estación de radio de internet se encuentra congestionada.
El audio de mi dispositivo Bluetooth no se reproduce en el DN-700AVP.	<p>Asegúrese de haber apareado correctamente su dispositivo Bluetooth.</p> <p>Mejore la recepción de la señal Bluetooth acercando su dispositivo Bluetooth al DN-700AVP. El alcance del Bluetooth se ve afectado por paredes, obstrucciones y movimiento. Para lograr un rendimiento óptimo, coloque su dispositivo en la sala en donde pueda verlo de manera que no esté obstaculizado por paredes, muebles, etc.</p>
Se me solicita un PIN para aparear mi dispositivo Bluetooth con el DN-700AVP.	Introduzca 0000 como el PIN. (Algunos dispositivos Bluetooth antiguos pueden requerir que introduzca un PIN).
No se puede operar el DN-700AVP con el control remoto	<p>Colóquele pilas nuevas.</p> <p>Opere la unidad de control remoto a una distancia máxima de 7 m (23 pies) desde la unidad a un ángulo máximo de 30° respecto del sensor infrarrojo del panel delantero.</p> <p>Retire cualquier obstáculo entre esta unidad y el control remoto.</p> <p>El sensor del control remoto de la unidad está expuesto a una luz fuerte (luz solar directa, luces fluorescentes, etcétera.). Traslade la unidad a un lugar en donde el sensor del control remoto no se encuentre expuesto a luces fuertes.</p>

Guide d'utilisation (Français)

Présentation

Contenu de la boîte

DN-700AVP

Câble d'alimentation

Antenne FM

Télécommande

Guide d'utilisation

Consignes de sécurité et informations concernant la garantie

Assistance technique

Pour les toutes dernières informations concernant la documentation, les spécifications techniques, la configuration requise, la compatibilité et l'enregistrement du produit, veuillez visiter denonpro.com.

Pour de l'assistance supplémentaire, veuillez visiter le site denonpro.com/support.

Consignes de sécurité

- Veillez à protéger l'appareil de l'humidité, de l'eau et de la poussière.
- Veillez à ne pas obstruer les orifices de ventilation.
- Veillez à ce qu'il n'ait pas d'objets étrangers qui puissent tomber dans les orifices de ventilation.

Avant de mettre l'appareil sous tension

- Veillez à vous assurer que tous les branchements sont bien faits et que les câbles de connexion ne présentent aucun problème.
- Certains circuits restent sous tension même lorsque l'appareil est en mode veille. Si l'appareil ne doit pas être utilisé pendant un certain temps, veillez à débrancher le câble d'alimentation de la prise secteur.

Condensation

- Si la différence de température entre l'intérieur de l'appareil et la pièce est importante, de la condensation risque de se former sur les pièces internes, empêchant l'appareil de fonctionner correctement. Si tel est le cas, veillez à laisser l'appareil hors tension au repos pendant une heure ou deux, jusqu'à ce que la différence de température diminue.

Précautions relatives à l'utilisation des téléphones mobiles

- L'utilisation d'un téléphone mobile à proximité de cet appareil peut entraîner des interférences vidéo et audio. Si tel est le cas, veillez à éloigner le téléphone mobile de l'appareil lors de son utilisation.

Durée d'utilisation continue

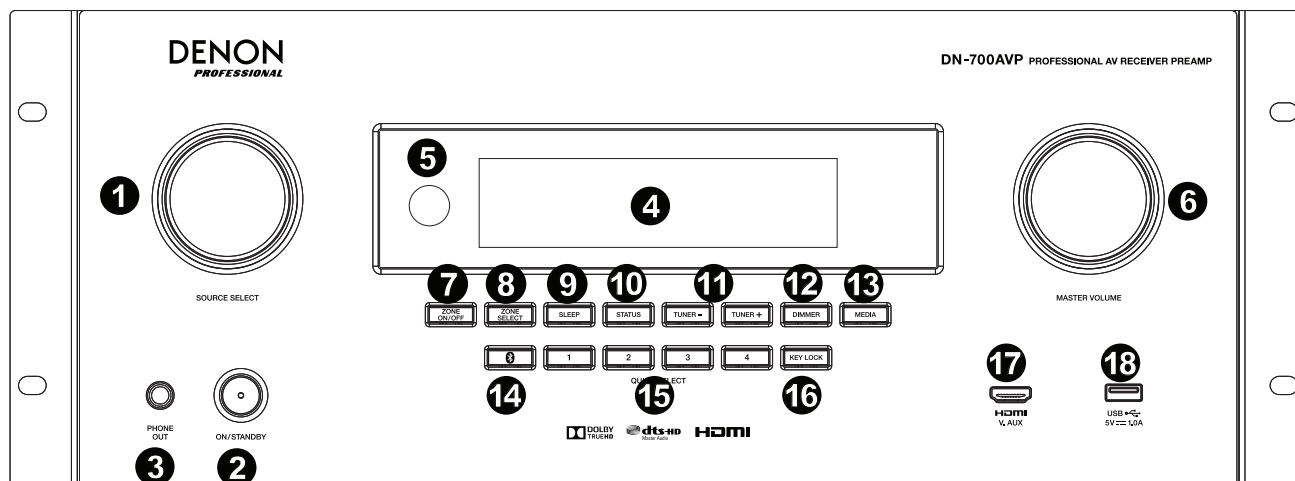
- Cet appareil dispose d'une durée d'utilisation continue maximale de 24 heures. Utiliser cet appareil pendant plus de 24 heures peut entraîner un mauvais fonctionnement. Pour utiliser cet appareil durant plus de 24 heures, veillez à redémarrer l'appareil toutes les 24 heures.

Entretien et nettoyage

- Veillez à essuyer l'enceinte et le panneau de commande avec un chiffon doux.
- Veillez à ne pas utiliser de benzène, de diluant à peinture, ou autres solvants, car ils peuvent entraîner une décoloration de l'appareil.

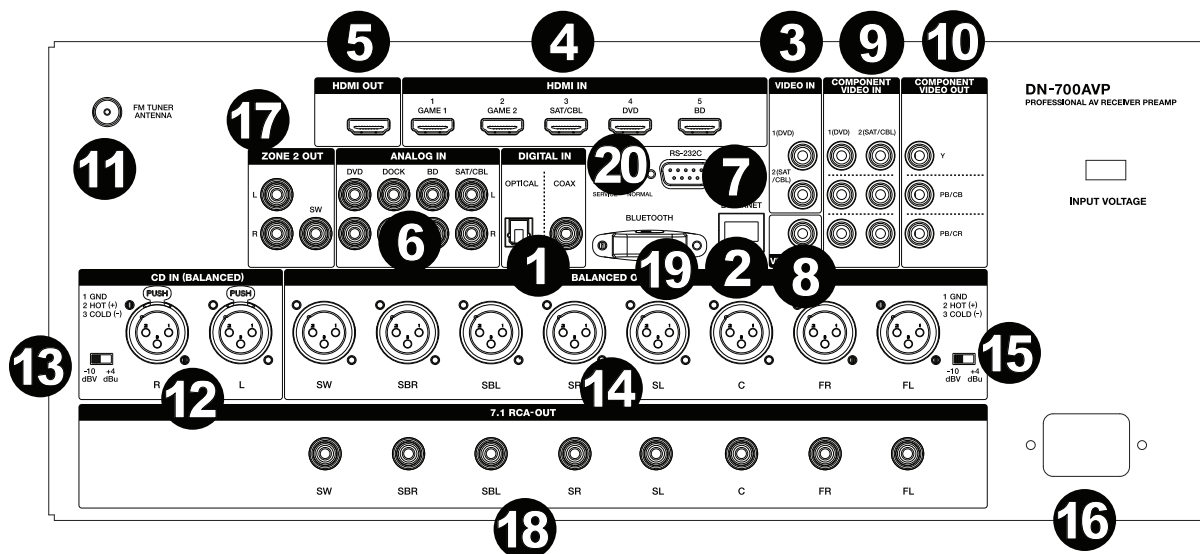
Caractéristiques

Panneau avant



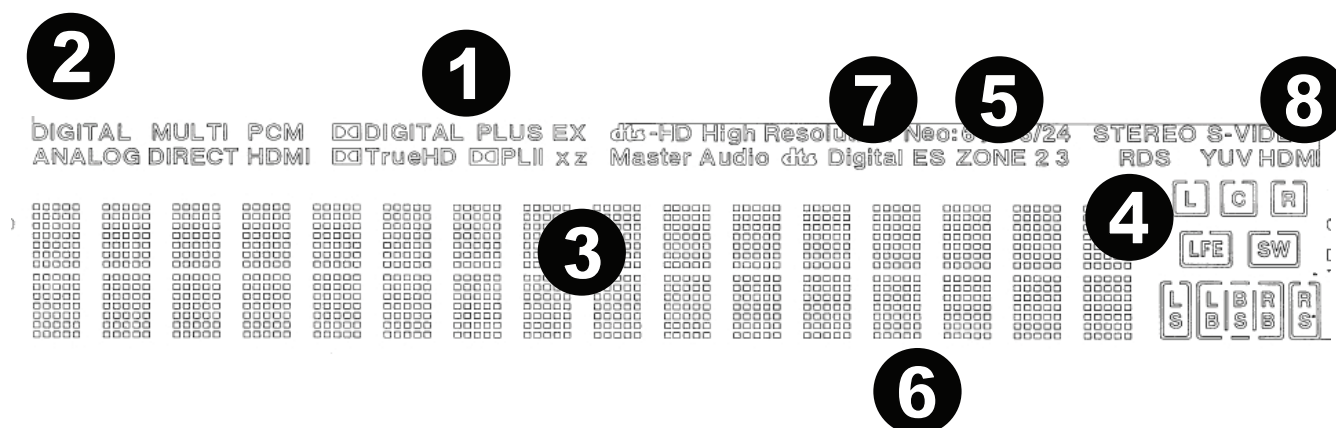
1. **Source Select** : Ce bouton permet de sélectionner la source d'entrée. Les sources d'entrée disponibles sont Bluetooth, TV, Tuner, DVD, Dock, BD, SAT/CBL, Game1, Game2, CD et Multimedia (parmi celles-ci sont les services de transmission de musique en continu, la radio Internet, fichiers préférés sauvegardés sur un réseau, un serveur multimédia, ou une clé USB branchée).
2. **ON/Standby** : Cette touche permet d'allumer et d'éteindre l'appareil. Lorsque l'appareil est éteint, il est en mode veille.
3. **Phone Output** : Cette sortie permet de brancher un casque d'écoute 6,35 mm.
4. **Écran à fluorescent à vide** : Cet écran affiche les informations sur la source audio sélectionnée, la station radio FM, la radio Internet, les menus de configuration et diverses fonctions.
5. **Capteur IR** : Veillez à pointer la télécommande sur ce capteur afin d'ajuster les réglages de l'appareil.
6. **Master Volume** : Ce bouton permet de régler le volume principal de l'appareil.
7. **Zone On/Off** : Cette touche permet d'activer et de désactiver la Zone 2.
8. **Zone Select** : Cette touche permet de sélectionner la source d'entrée affectée à la Zone 2.
9. **Sleep** : Cette touche permet de sélectionner la durée du minuteur de mise en veille par incréments de 10 minutes jusqu'à 120 minutes.
10. **Status** : Cette touche permet d'afficher les différentes informations concernant la source audio, la connexion HDMI et l'état de déverrouillage.
11. **Tuner +/-** : Ces touches permettent de sélectionner la station radio FM.
12. **Dimmer** : Cette touche permet d'augmenter ou de diminuer la luminosité de l'écran.
13. **Media** : Cette touche permet de sélectionner la source audio entre une clé USB, la radio Internet ou un serveur multimédia.
14. **Bluetooth** : Cette touche permet de jumeler un périphérique Bluetooth. Pour déjumeler un périphérique Bluetooth, maintenir cette touche enfoncée pendant 3 secondes.
15. **Quick Selects** : Ces touches permettent de sélectionner un préréglage audio, vidéo ou des sources d'entrée HDMI.
16. **Key Lock** : Maintenir cette touche enfoncée pendant 3 secondes de verrouiller toutes les autres touches du panneau avant. Un message s'affiche à l'écran indiquant que toutes les touches sont verrouillées.
17. **Entrée HDMI** : Cette entrée HDMI permet de brancher un appareil HDMI.
18. **Port USB** : Cette entrée permet de brancher une clé USB afin de faire la lecture des fichiers audio et d'images. Les fichiers **WMA** (Windows Media Audio), **MP3** (MPEG-1 Audio Layer-3), **WAV**, **MPEG-4 AAC** et **FLAC** (Free Lossless Audio Codec) sont pris en charge.

Panneau arrière



1. **Entrées numériques** : Ces entrées permettent de brancher des périphériques équipés d'entrées audio coaxiales et optiques.
2. **Connecteur réseau** : Ce connecteur permet de brancher l'appareil à un réseau local (LAN). Ce port est utilisé pour commander à distance l'appareil, pour recevoir l'audio d'un serveur multimédia ou pour se connecter à la radio Internet.
3. **Entrées composites vidéo** : Ces entrées permettent de brancher les sorties vidéo d'un périphérique composite vidéo.
4. **Entrées HDMI** : Ces 5 entrées HDMI permettent d'acheminer directement le signal vidéo et audio d'un lecteur Blu-ray ou d'un lecteur DVD à la sortie HDMI.
5. **Sortie HDMI** : Cette sortie HDMI permet de brancher un téléviseur, un projecteur, un écran d'ordinateur ou un enregistreur numérique personnel.
6. **Entrées audio analogiques** : Ces entrées permettent de brancher la sortie audio des sources audio.
7. **Port série** : Cette entrée vous permet de brancher un périphérique hôte (généralement un ordinateur) au DN-700AVP. Vous pouvez utiliser le périphérique hôte pour transmettre des messages afin de commander le DN-700AVP (en utilisant la communication série RS-232C).
8. **Sortie vidéo (composite)** : Cette sortie vidéo permet de brancher l'entrée vidéo d'une autre source vidéo.
9. **Entrées vidéo (composantes)** : Ces entrées vidéo permettent de brancher la sortie vidéo d'une autre source vidéo.
10. **Sorties vidéo (composantes)** : Ces sorties vidéo permettent de brancher l'entrée vidéo d'une autre source vidéo.
11. **FM Tuner Antenna** : Cette borne permet de brancher l'antenne fournie afin d'obtenir la réception des sources radio FM.
12. **Entrées CD** : Ces entrées XLR symétriques permettent de brancher la sortie d'un préamplificateur ou d'une console de mixage.
13. **Sélecteur du niveau d'entrée** : Ce sélecteur permet de régler le niveau d'entrée audio à -10 dBv ou à +4 dBu.
14. **Sorties symétriques** : Ces sorties XLR du canal ambiophonique individuelles permettent de brancher l'entrée d'une console de mixage ou d'un préamplificateur.
15. **Niveau des sorties symétriques** : Ce sélecteur permet de régler le niveau de sortie XLR de canal ambiophonique audio à -10 dBv ou à +4 dBu.
16. **Entrée d'alimentation** : Cette entrée permet de brancher le câble d'alimentation fourni.
17. **Sorties Zone 2** : Ces sorties transmettent le signal audio de la sortie gauche/droite et du caisson d'extrêmes graves vers un autre endroit.
18. **Sorties RCA 7.1** : Ces sorties coaxiales permettent de transmettre le mix ambiophonique par des canaux individuels à des enceintes (75 W par canal).
19. **Antenne Bluetooth** : L'antenne intégrée permet la réception Bluetooth.
20. **Mise à jour progiciel** : Le sélecteur « Service/Normal » permet de modifier le mode de connexion USB pour la mise à jour du progiciel. En mode de fonctionnement normal, le commutateur devrait être en position « Normal ».

Écran d'affichage



1. **Indicateurs des décodeurs** : Ce voyant s'allume lorsque les décodeurs fonctionnent.
2. **Indicateurs du signal d'entrée** : Ce voyant s'allume lorsqu'un signal d'entrée est détecté.
3. **Affichage des informations** : Cette section indique le nom de la source d'entrée, le mode ambiophonique, les valeurs de réglage et autres informations.
4. **Indicateur des enceintes** : Ce voyant s'allume lorsque les signaux sont transmis aux enceintes ambiophoniques.
5. **Indicateur Zone 2** : Ce voyant s'allume lorsque la Zone 2 est activée.
6. **Indicateur du volume principal** : Ce voyant s'allume lorsque le volume principal est modifié.
7. **Indicateurs du mode d'entrée** : Ce voyant indique les modes d'entrée audio pour les différentes sources d'entrée.
8. **Indicateur HDMI** : Ce voyant s'allume lorsque la connexion HDMI est utilisée pour faire la lecture d'une source audio.

Télécommande

Alimentation électrique : Cette touche permet de mettre l'appareil sous et hors tension.

Mise en sourdine : Cette touche permet de couper le son. Appuyez à nouveau afin de désactiver la mise en sourdine.

Zone On/Off : Cette touche permet d'activer et de désactiver la sortie audio et vidéo de la zone sélectionnée.

SEL : Cette touche permet d'affecter une source d'entrée à la Zone 2.

Display : Cette touche permet d'afficher les réglages de la source d'entrée sur un téléviseur ou un écran d'ordinateur.

Stereo Direct : En mode Stereo Direct, l'audio est lu de manière à reproduire le plus fidèlement l'enregistrement.

Menu : Cette touche permet d'accéder aux paramètres vidéo, aux paramètres audio, aux sources d'entrée et aux paramètres du système afin de les modifier, et à l'assistant d'installation.

Spk Set : Cette touche permet de modifier les paramètres des sorties des enceintes ambiophoniques. Les touches ▲ et ▼ permettent de sélectionner le type d'enceinte (petite ou grande) branchée aux sorties ambiophoniques.

Touches de déplacement : Ces touches permettent de sélectionner une piste audio et de parcourir les menus.

Enter : Cette touche permet de confirmer une sélection de menu.

Retour : Cette touche permet de passer au menu précédent ou de quitter le menu.

OSD : Cette touche permet de désactiver l'affichage sur l'écran du panneau avant.

BD/DVD : Cette touche permet de sélectionner la source d'entrée BD/DVD.

GAME 1/2 : Cette touche permet de sélectionner la source d'entrée GAME 1/2.

SAT/CBL : Cette touche permet de sélectionner la source d'entrée SAT/CBL.

CD : Cette touche permet de sélectionner la source d'entrée CD.

Multimedia : Cette touche permet de sélectionner la source d'entrée Multimedia.

BT : Cette touche permet de sélectionner la source d'entrée BT.

FM : Cette touche permet de sélectionner la source d'entrée FM.

HDMI : Cette touche permet de faire défiler l'une des 6 sources d'entrée HDMI.

Surr : Cette touche permet de sélectionner un des différents modes ambiophoniques.

DOCK : Cette touche permet de sélectionner la source d'entrée Dock.

Audio In : Cette touche permet de sélectionner une entrée audio à affecter à la source sélectionnée. Les options disponibles sont **HDMI**, **Analog** (analogique), **Coax** (coaxial) et **Opt** (optique).

Station +/- : Cette touche permet de parcourir les 20 stations radio mémorisées.

Tone : Cette touche permet d'ajuster les réglages des fréquences aiguës et graves de la source audio.

Ch Sel : Cette touche permet de parcourir les différents canaux ambiophoniques. Les touches ▲ et ▼ permettent de régler le niveau sonore des canaux.

Vol +/- : Ces touches permettent de régler le niveau du volume principal de la source d'entrée.

<< : Cette touche permet de passer à la piste USB ou Bluetooth précédente ou suivante.

>> : Cette touche permet de passer à la piste USB ou Bluetooth suivante.

Lancer/interrompre la lecture : Cette touche permet de lancer ou d'interrompre la lecture de la piste USB ou Bluetooth.

Arrêt de lecture : Cette touche permet d'arrêter la lecture de la piste USB ou Bluetooth.

Stereo : Cette touche permet de choisir si un signal stéréo est acheminé seul ou avec le signal du caisson d'extrêmes graves.

St/Mono : Cette touche permet de basculer entre les modes stéréo et mono.

Sub On/Off : Cette touche permet de mettre le caisson d'extrêmes graves sous et hors tension.

LFE Trim : Cette touche permet d'ajuster le niveau des effets à basses fréquences de 20 Hz à 120 Hz. Elle permet de régler le niveau du canal des effets à basses fréquences d'une bande sonore d'un film ou d'un enregistrement audio multicanal. Veuillez noter qu'elle n'est pas une commande de niveau du caisson d'extrêmes graves et qu'elle ne fonctionne que sur les bandes sonores 5.1 qui contiennent des effets à basses fréquences (LFE).

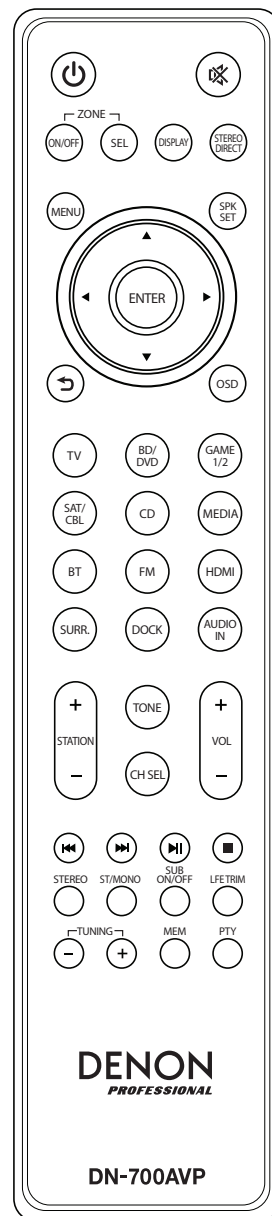
Tuning +/- : Cette touche permet de sélectionner la station radio FM.

Mem : Lors de l'écoute de la radio, de la lecture de fichiers d'un serveur réseau ou d'un serveur multimédia, cette touche permet de programmer la station radio ou le fichier comme préréglage.

PTY (Recherche par type de programmation) : En mode Tuner, cette touche permet de rechercher un certain type d'émissions de radio et de les sauvegarder comme préréglages.

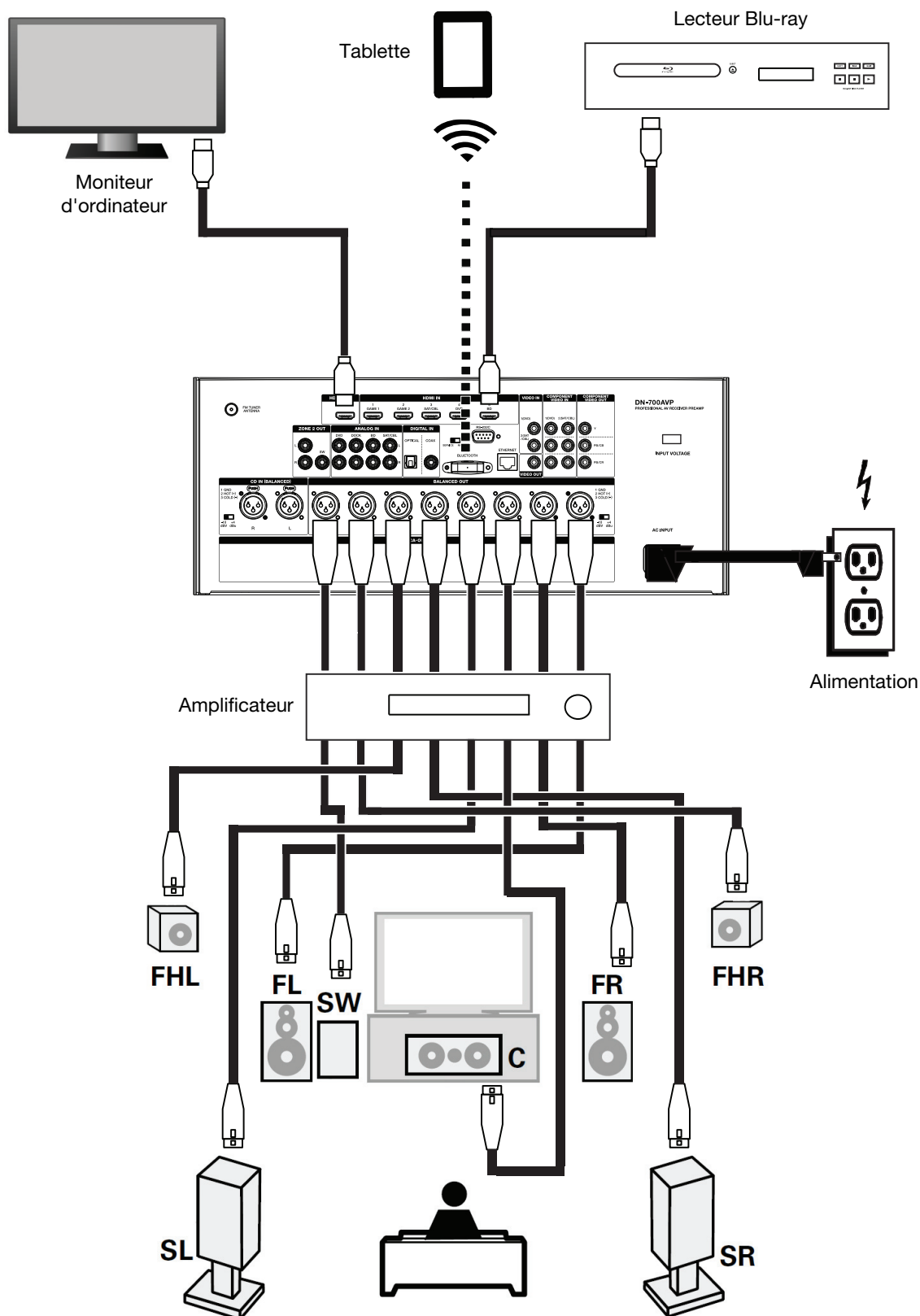
1. En mode Tuner, appuyer sur la touche **PTY**. Le message « PTY SEL » devrait s'afficher.
2. Sélectionnez le programme PTY en utilisant les touches **Tuner +** et **Tuner -**.
3. Appuyez sur la touche **PTY** afin de confirmer la sélection. Le message « PTY SRH » devrait s'afficher.

Si le programme PTY est trouvé, le nouveau programme est lancé. Si le programme PTY n'est pas trouvé, le message « No found » s'affiche.



Installation

Les articles qui ne figurent pas dans la section *Présentation > Contenu de la boîte* sont vendus séparément.



Mise en route

Veillez utiliser l'**assistant d'installation** pour modifier les réglages suivants :

- Définir la langue d'affichage des instructions sur le téléviseur ou sur l'écran d'ordinateur.
 - Définir la source audio/vidéo et les réglages audio de chaque enceinte.
 - Configurer les réglages afin de pouvoir utiliser la télécommande fournie pour commander les périphériques branchés à l'appareil.
 - Configurer les réglages réseau afin de pouvoir faire la lecture de fichiers audio provenant d'un serveur multimédia ou de la radio Internet.
1. Branchez les enceintes ambiophoniques au DN-700AVP.
 2. Modifiez la source d'entrée du téléviseur ou de l'écran d'ordinateur sur la sortie HDMI du DN-700AVP.
 3. Mettez le DN-700AVP sous tension.
 4. Appuyez sur la touche **Zone Select** afin de sélectionner l'entrée source à affecter à la Zone 2.
 5. Appuyez sur la touche **Enter** afin de lancer l'**assistant d'installation**.
 6. Suivez ensuite les instructions de l'**assistant d'installation** afin de configurer les sources vidéo et audio.

Fonctionnement

Sélection d'une source d'entrée

Afin de parcourir les options de source d'entrée, utilisez le bouton **Source Select** sur le panneau avant ou appuyez sur une des touches de sélection rapide **Quick Select**. Vous pouvez également appuyer sur les touches des sources d'entrée de la télécommande.

Affectation des sources d'entrée aux touches de sélection rapide Quick Select

1. Utilisez le bouton **Source Select** afin de sélectionner une source d'entrée.
2. Maintenez une des touches **Quick Select** enfoncée pendant 2 secondes. La source d'entrée sélectionnée sera maintenant affectée à cette touche **Quick Select**.

Réglage individuel du volume des canaux ambiophoniques

Appuyez sur la touche **Channel Select** de la télécommande afin de parcourir chacun des canaux ambiophoniques. Utilisez les touches ▲ et ▼ pour régler le volume de chaque canal.

Réglage du niveau du volume principal

Tournez le bouton **Master Volume** sur le panneau avant pour régler le volume principal. Vous pouvez également utiliser les touches ▲ et ▼ de la télécommande pour régler le volume principal. Appuyez sur la touche de **mise en sourdine** de la télécommande pour couper le son temporairement. Pour désactiver la mise en sourdine, vous pouvez appuyer de nouveau sur la touche de **mise en sourdine**, tourner le bouton **Master Volume** ou appuyer sur les touches **Vol +/-** de la télécommande.

Affectation des sources aux connecteurs d'entrée

Cette fenêtre s'affiche lorsque le menu **Input Setup ► Each Input Source ► Input Assign** est sélectionné. Utilisez le menu **Input Assign** pour router les entrées HDMI, les entrées numériques et les entrées composantes aux différentes sources.

1. Si le DN-700AVP est hors tension, appuyez sur la **touche d'alimentation** pour le mettre sous tension.
2. Appuyez sur la touche **Menu** de la télécommande. Utilisez les touches **▲**, **▼**, **◀** et **▶** pour sélectionner le menu **Input Setup ► Each Input Source ► Input Assign**.
3. Utilisez les touches **▲**, **▼**, **◀** et **▶** pour sélectionner la source que vous souhaitez régler.
4. Appuyez sur la touche **Enter**, puis utilisez les touches **◀** et **▶** afin de sélectionner l'entrée à affecter.
5. Appuyez sur la touche **Enter** afin de sauvegarder le réglage.

Remarques :

- L'affectation des connecteurs/numéros de source HDMI peut être vue sur le panneau arrière. Ces connecteurs HDMI peuvent être réaffectés à différentes sources d'entrée. Par exemple, la source Blu-ray assignée à l'entrée **(5) BD** par défaut, peut être réaffectée à l'entrée **(2) Game 2** à partir du menu **Input Assign**.
- Le message « --- » s'affiche lorsqu'une source d'entrée ne peut être affectée à un connecteur d'entrée HDMI.
- Pour faire la lecture du signal vidéo affecté à HDMI combiné au signal audio assigné à **Input Assign ► Digital**, sélectionnez **Digital** dans **Input Mode**.
- Lorsque l'option **HDMI Control** est activée, l'entrée HDMI ne peut être affectée à **TV**.

Utilisation des entrées audio Dock pour la lecture multimédia

1. Si le DN-700AVP est hors tension, appuyez sur la **touche d'alimentation** pour le mettre sous tension.
2. Branchez le périphérique multimédia aux entrées Dock du DN-700AVP.
3. Appuyez sur la touche **Dock** de la télécommande ou utilisez le bouton **Source Select** afin de sélectionner **Dock** comme source d'entrée audio.
4. Lancez la lecture à partir du périphérique multimédia et réglez le volume de la source.

Lecture de fichiers sur clé USB

Une clé USB peut être branchée au port USB de cet appareil pour lire des fichiers audio et vidéo. Seuls les clés USB conformes aux normes de stockage de masse USB et MTP (Media Transfer Protocol) et formatées à l'aide d'un système de fichiers FAT16 ou FAT32 peuvent être lues sur le DN-700AVP.

Les formats de fichiers pris en charge sont : **WMA** (Windows Media Audio), **MP3** (MPEG-1 Audio Layer-3), **WAV**, **MPEG-4 AAC**, et **FLAC** (Free Lossless Audio Codec).

Pour faire la lecture de fichiers sur clé USB :

1. Si le DN-700AVP est hors tension, appuyez sur la touche d'alimentation pour le mettre sous tension.
2. Branchez la clé USB (périphérique de stockage de masse) au port USB.
3. Sélectionnez **Multimedia** comme type de média et utilisez les touches **◀** et **▶** de la télécommande pour sélectionner **USB**.
4. Sélectionnez un fichier parmi la liste de fichiers affichée sur le DN-700AVP ou sur le téléviseur ou l'écran d'ordinateur. Pour parcourir les fichiers audio ou les dossiers, appuyez sur les touches **◀** et **▶** de la télécommande. Appuyez sur la touche **Enter** pour ouvrir un dossier ou pour lancer la lecture du fichier audio sélectionné.

Lecture de fichiers audio à partir d'un périphérique Bluetooth

1. Si le DN-700AVP est hors tension, appuyez sur la **touche d'alimentation** pour le mettre sous tension.
 2. Utilisez le bouton **Source Select** afin de sélectionner **Bluetooth**.
 3. Appuyez sur la touche **Bluetooth**.
 4. Accédez à l'écran de configuration de votre périphérique Bluetooth, recherchez « DN-700AVP » et lancez le jumelage.
 5. Lancez la lecture de la musique sur votre périphérique Bluetooth. Pour déjumeler un appareil Bluetooth, maintenez la touche **Bluetooth** enfoncée pendant 3 secondes. Vous pouvez également utiliser le bouton **Source Select** afin de sélectionner une autre source de lecture et déjumeler le périphérique.
- Remarque :** Si votre périphérique Bluetooth vous demande un code de jumelage, saisissez **0000**.

Écouter de la radio

1. Si le DN-700AVP est hors tension, appuyez sur la **touche d'alimentation** pour le mettre sous tension.
2. Utilisez le bouton **Source Select** afin de sélectionner **Tuner**. La transmission de l'audio commencera automatiquement.
Important : Veuillez vous assurer d'avoir correctement branché l'antenne FM.
3. Pour sélectionner une station radio, utilisez les touches **Tuner +/-** de l'appareil ou **Tuning +/-** de la télécommande. Maintenez la touche **Tuning +** ou **Tuning -** enfoncée pendant 2 secondes afin de balayer et trouver la prochaine station disponible ayant un signal fort.
Remarque : RDS est un service de transmission qui permet de recevoir des données supplémentaires transmises par les stations radio VHF. Par exemple, le nom de la station de radiodiffusion, le nom de l'émission, ou le type d'émission seront affichés. Il fonctionne seulement lorsque les stations radio locales disposent de la transmission RDS et que le signal est assez fort.

Pour programmer et rappeler un préréglage d'une station radio :

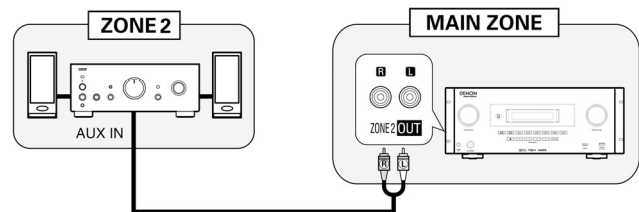
1. Si le DN-700AVP est hors tension, appuyez sur la **touche d'alimentation** pour le mettre sous tension.
2. Utilisez le bouton **Source Select** afin de sélectionner **Tuner**.
3. Sélectionner une station radio en utilisant les touches **Tuner +/-** de l'appareil ou **Tuning +/-** de la télécommande.
4. Appuyez sur la touche **Mem** de la télécommande, puis appuyez sur les touches **Tuning +/-** afin de sélectionner un emplacement d'enregistrement. Appuyez à nouveau sur la touche **Mem** afin d'enregistrer la station radio à l'emplacement sélectionné.
5. Pour rappeler une station radio enregistrée, appuyez sur les touches **Station +/-** pour faire défiler les préréglages.

Lecture audio des sorties Zone 2

Vous pouvez simultanément reproduire la même source audio dans la Zone 1 et la Zone 2.

1. Appuyez sur la touche **Zone On/Off** pour mettre la Zone 2 sous tension.
2. Appuyez sur la touche **Zone Select** afin de sélectionner l'entrée source à affecter à la Zone 2.
3. Lancez la lecture de la source audio.

Remarque : Il est impossible de faire la lecture des signaux numériques en utilisant les entrées HDMI, Coaxial ou Optical pour la Zone 2.

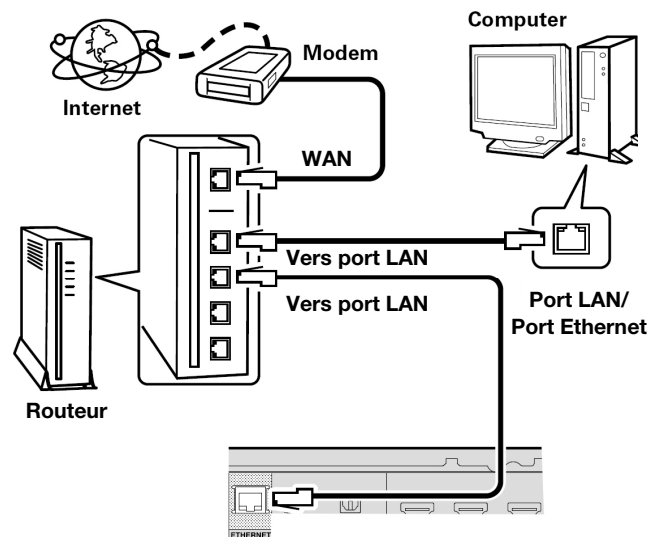


Connexion réseau

Vous pouvez faire la lecture de fichiers audio stockés sur un ordinateur ou à partir des stations radio Internet par le biais de votre réseau local (LAN).

Matériel requis :

- **Connexion Internet à haut débit**
- **Modem :**
- **Routeur :** Nous vous recommandons d'utiliser un routeur équipé d'un serveur DHCP intégré et d'un commutateur 100BASE-TX intégré. Lors de la connexion de plusieurs appareils, nous recommandons d'utiliser un concentrateur de commutation avec une vitesse de 100 Mb/s ou plus.
- **Câble Ethernet (CAT-5 ou supérieur recommandé) :** Utilisez uniquement un câble réseau STP ou ScTP blindé. Si vous utilisez un service Internet sur lequel les réglages réseau sont effectués manuellement ou sans fonction DHCP, veuillez effectuer les réglages directement depuis le menu de configuration Network Setup. Veuillez confirmer les paramètres réseau avec votre administrateur réseau si vous devez les configurer manuellement.
Ne branchez pas le câble Ethernet du DN-700AVP directement au port LAN/Ethernet de votre ordinateur.



1. Branchez le câble Ethernet du DN-700AVP à votre réseau.
2. Mettez le DN-700AVP sous tension. Le DN-700AVP se connecte automatiquement sur le réseau lorsque la fonction DHCP est activée. Lors de la connexion à un réseau qui n'a pas de fonction DHCP, réglez manuellement les paramètres dans le menu Network Connect.

Lecture de fichiers sur réseau ou sur serveur multimédia

1. Si le DN-700AVP est hors tension, appuyez sur la **touche d'alimentation** pour le mettre sous tension.
2. Utilisez le bouton **Source Select** pour sélectionner **Multimedia** comme source, puis sélectionnez **Media Server** en utilisant les touches ▲ ou ▼, puis appuyez sur la touche **Enter** ou ►.
3. Utilisez les touches ▲ ou ▼ pour sélectionner le serveur, puis appuyez sur la touche **Enter** ou ►.
4. Utilisez les touches ▲ ou ▼ pour sélectionner le fichier, puis appuyez sur la touche **Enter** ou ►.
La lecture commence dès que la mémoire tampon atteint « 100% ».

Écouter une diffusion de musique en continu ou la radio Internet

Vous pouvez écouter de la musique provenant de services de transmission de musique en continu ou d'émissions de radio Internet. Les stations de radio Internet peuvent être sélectionnées par type et par lieu.

1. Si le DN-700AVP est hors tension, appuyez sur la **touche d'alimentation** pour le mettre sous tension.
2. Vérifiez que les paramètres réseau sur le DN-700AVP sont corrects.
3. Utilisez le bouton **Source Select** afin de sélectionner **Multimedia**.
4. Utilisez les touches ◀ et ▶ de la télécommande pour sélectionner le service de transmission de musique en continu, puis appuyez sur la touche **Enter** ou ►.
5. Appuyez sur les touches ▲ ou ▼ pour sélectionner la station radio, puis appuyez sur la touche **Enter** ou ►.
La lecture commence dès que la mémoire tampon atteint « 100% ».

Enregistrer des stations radio Internet dans les préréglages Favorites

1. Si le DN-700AVP est hors tension, appuyez sur la **touche d'alimentation** pour le mettre sous tension.
2. Utilisez le bouton **Source Select** afin de sélectionner **Multimedia**.
3. Use the **Cursor** ◀ and ▶ buttons on the remote control to select an Internet radio station, then press **Enter** or ►.
4. Sélectionnez une station radio Internet, puis appuyez sur la touche **Enter** ou ►.
5. Alors que la station radio Internet joue, appuyez sur **Mem**.
6. Appuyez sur les touches ▲ ou ▼ pour sélectionner **Favorites**, puis appuyez sur la touche **Enter**.
7. Appuyez sur la touche ◀ pour sélectionner **Add**.

Écouter des stations radio Internet enregistrées dans les préréglages Favorites

1. Si le DN-700AVP est hors tension, appuyez sur la **touche d'alimentation** pour le mettre sous tension.
2. Utilisez le bouton **Source Select** afin de sélectionner **Multimedia**.
3. Utilisez les touches ◀ et ▶ de la télécommande pour sélectionner **Favorites**.
4. Appuyez sur les touches ▲ ou ▼ pour sélectionner la station radio Internet, puis appuyez sur la touche **Enter** ou ►.
La lecture commence dès que la mémoire tampon atteint « 100% ».

Dépannage

En cas de problème, veuillez d'abord essayer ce qui suit :

- Veuillez vous assurer que tous les câbles et autres périphériques sont correctement branchés.
- Veuillez vous assurer que vous utilisez le DN-700AVP comme décrit dans ce guide d'utilisation.
- Veuillez vous assurer que tous les autres appareils ou médias fonctionnent correctement.
- Si vous croyez que le DN-700AVP ne fonctionne pas correctement, vérifiez le tableau suivant afin de trouver une solution à votre problème.

Problème :	Solution :
Il ne s'allume pas.	Vérifiez que le câble d'alimentation est correctement branché au DN-700AVP et à la prise secteur.
L'écran d'affichage est éteint.	Vérifiez que le gradateur est sur un réglage autre que « Off ».
Le voyant d'alimentation est rouge et clignote toutes les 2 secondes.	La température à l'intérieur de l'appareil est trop élevée. Mettez l'appareil hors tension et attendez que la température ait suffisamment baissé avant de remettre sous tension. Réinstallez l'appareil dans un endroit avec une bonne ventilation.
Il n'y a pas de son.	Vérifiez les connexions des câbles audio. Lorsque l'audio HDMI est transmis aux enceintes, réglez l'option « HDMI Audio Out » sur « AMP ». Vérifiez que l'audio n'est pas mis en sourdine. Lorsque l'audio HDMI est transmis à un téléviseur, réglez l'option « HDMI Audio Out » sur « TV ».
Il n'y a pas d'image vidéo.	Vérifiez les connexions des câbles vidéo. Réglez la source du DN-700AVP afin qu'elle corresponde à l'entrée vidéo branchée. Réglez le téléviseur sur la bonne source d'entrée. Si vous utilisez des câbles HDMI, vérifiez si le téléviseur est compatible avec la technologie de protection des droits d'auteur des signaux (HDCP). Si le périphérique est non compatible avec la technologie HDCP, la vidéo ne sera pas diffusée correctement.
Le signal audio n'est pas en Dolby TrueHD, DTSHD, ou en Dolby Digital Plus.	Veuillez vous assurer que des câbles HDMI soient utilisés.
L'indicateur USB n'est pas allumé lorsqu'une clé USB est branchée.	Vérifiez que la clé USB est correctement branchée. Veuillez vous assurer que la clé USB est conforme aux normes de stockage de masse USB et MTP. Branchez la clé USB directement au port USB (et non via un concentrateur USB).
Les fichiers sur une clé USB ne sont pas lus.	Veuillez vous assurer que la clé USB a été formatée en FAT16 ou FAT32. Si la clé USB est divisée en plusieurs partitions, uniquement les fichiers stockés dans la partition supérieure peuvent être lus. Le type de fichier n'est pas pris en charge. Le fichier est protégé par droit d'auteur. Les fichiers qui sont protégés par droit d'auteur ne peuvent pas être lus par cet appareil.
Les noms des fichiers ne s'affichent pas correctement (« ... », etc.).	Des caractères non pris en charge sont utilisés dans les noms des fichiers. Les caractères qui ne peuvent être affichés sont remplacés par un « . ».

Problème :	Solution :
Des fichiers stockés sur un ordinateur/serveur multimédia ne peuvent être lus.	<p>Les fichiers sont stockés dans un format non compatible.</p> <p>Les fichiers qui sont protégés par droit d'auteur ne peuvent pas être lus par cet appareil.</p>
L'ordinateur/serveur multimédia est introuvable ou ne peut se connecter.	<p>Le pare-feu de l'ordinateur ou du routeur est activé.</p> <p>Vérifiez que l'ordinateur est sous tension.</p> <p>Vérifiez que le serveur est prêt.</p> <p>Vérifiez que l'adresse IP utilisée est correcte.</p>
Le son est mauvais lors de la lecture réseau.	La vitesse de transfert du signal réseau est lente ou la bande de fréquence de la station de radio Internet est encombrée.
Le DN-700AVP ne transmet pas le signal audio de l'appareil Bluetooth.	<p>Veillez vous assurer que vous avez correctement jumelé le périphérique Bluetooth.</p> <p>Améliorez la réception du signal Bluetooth en rapprochant votre appareil Bluetooth du DN-700AVP. La portée Bluetooth est affectée par les murs, les obstacles et le mouvement. Pour une performance optimale, placez le périphérique en visibilité directe afin qu'il n'y ait aucune obstruction créée par des murs, des meubles, etc.</p>
Connecter mon appareil Bluetooth au DN-700AVP nécessite un NIP.	Entrez 0000 . (Certains appareils Bluetooth plus anciens peuvent vous demander d'entrer un NIP.)
Le DN-700AVP ne fonctionne pas avec la télécommande.	<p>Remplacez les piles.</p> <p>Utilisez la télécommande à une distance d'environ 7 m de l'appareil et à un angle de 30° du capteur IR du panneau avant.</p> <p>Enlevez tout obstacle entre l'appareil et la télécommande.</p> <p>Le capteur de la télécommande est exposé à la lumière puissante (lumière directe du soleil, lumière artificielle puissante émise par une lampe fluorescente, etc.). Le capteur de la télécommande est exposé à une forte lumière (lumière directe du soleil, lumière artificielle puissante émise par une lampe fluorescente, etc.).</p>

Guida per l'uso (Italiano)

Introduzione

Contenuti della confezione

DN-700AVP

Cavo di alimentazione

Antenna FM

Telecomando

Guida per l'uso

Istruzioni di sicurezza e garanzia

Assistenza

Per le ultime informazioni in merito a questo prodotto (documentazione, specifiche tecniche, requisiti di sistema, informazioni sulla compatibilità, ecc.) e per effettuarne la registrazione, recarsi alla pagina denonpro.com.

Per ulteriore assistenza sul prodotto, recarsi alla pagina denonpro.com/support.

Indicazioni di sicurezza e precauzioni

- Mantenere l'apparecchio libero da umidità, acqua e polvere.
- Non bloccare i fori di ventilazione.
- Assicurarsi che oggetti estranei non cadano nelle aperture di ventilazione.

Prima di accendere l'alimentazione

- Assicurarsi che tutti i collegamenti siano corretti e che non vi siano problemi a livello dei cavi di alimentazione.
- Ad alcuni elementi della circuiteria viene fornita alimentazione anche quando l'apparecchio è in standby. Quando si parte per lunghi periodi di tempo, scollegare il cavo di alimentazione dalla presa di corrente.

Condensa

- Se vi è una notevole differenza di temperatura tra l'interno dell'apparecchio e la zona circostante, all'interno dell'apparecchio, sulle parti operative, si può formare condensa, che può causare un malfunzionamento dell'apparecchio. Se ciò accade, lasciare che l'apparecchio rimanga spento per un'ora o due e attendere fino a quando la differenza di temperatura non sarà minima, prima di utilizzare l'apparecchio.

Precauzioni circa l'uso di telefoni cellulari

- L'uso di un telefono cellulare nei pressi dell'apparecchio può causare interferenze ai segnali video e audio. Se ciò accade, allontanare il telefono cellulare dall'apparecchio quando è in uso.

Tempo di funzionamento per un uso ininterrotto

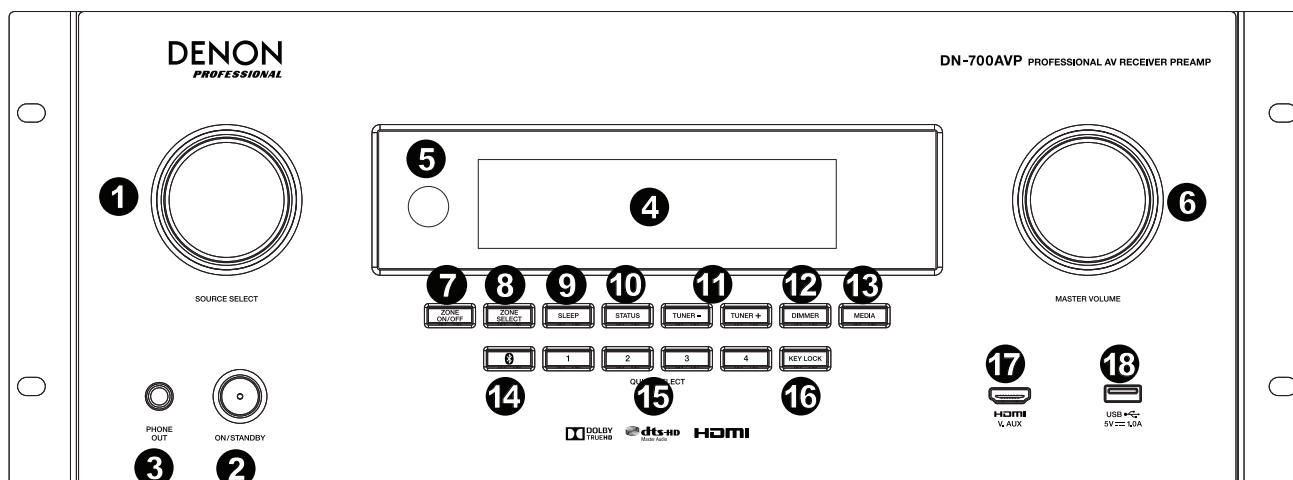
- Questo apparecchio può essere utilizzato in maniera ininterrotta per un massimo di 24 ore. Un utilizzo che superi le 24 ore consecutive può causare malfunzionamenti. Per utilizzare l'apparecchio per più di 24 ore, riavviarlo ogni 24 ore.

Pulizia e cura

- Pulire l'alloggiamento e il pannello di controllo con un panno morbido, non abrasivo.
- Benzene, acquaragia o altri solventi possono causare decolorazione se entrano a contatto con l'apparecchio e non devono essere utilizzati.

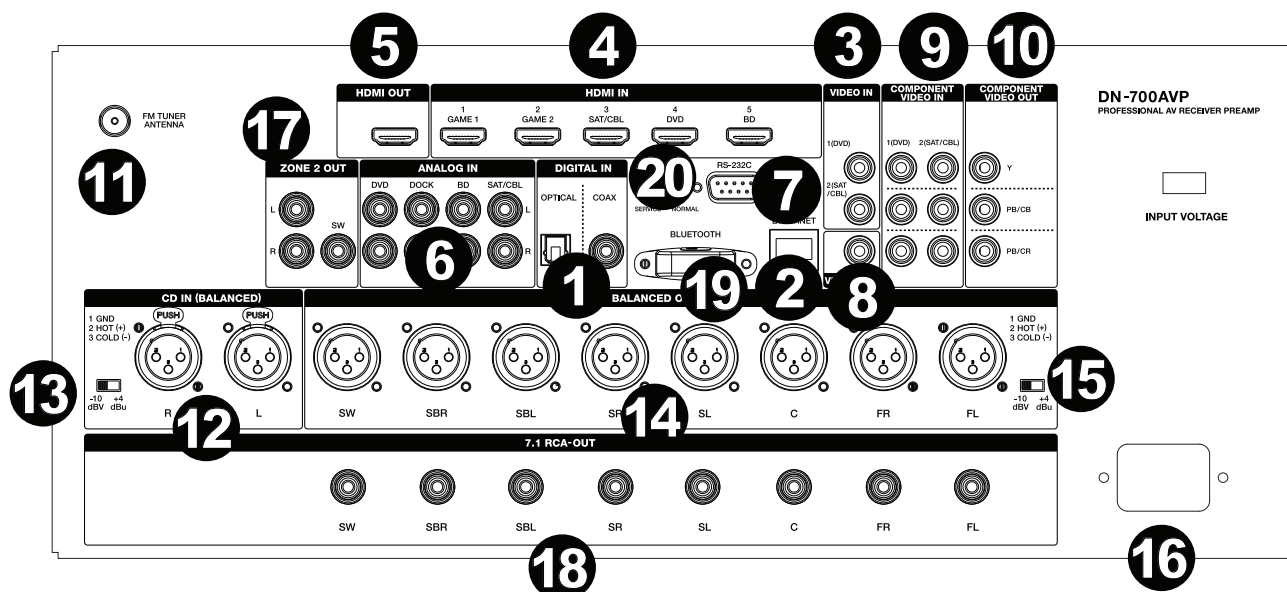
Caratteristiche

Pannello anteriore



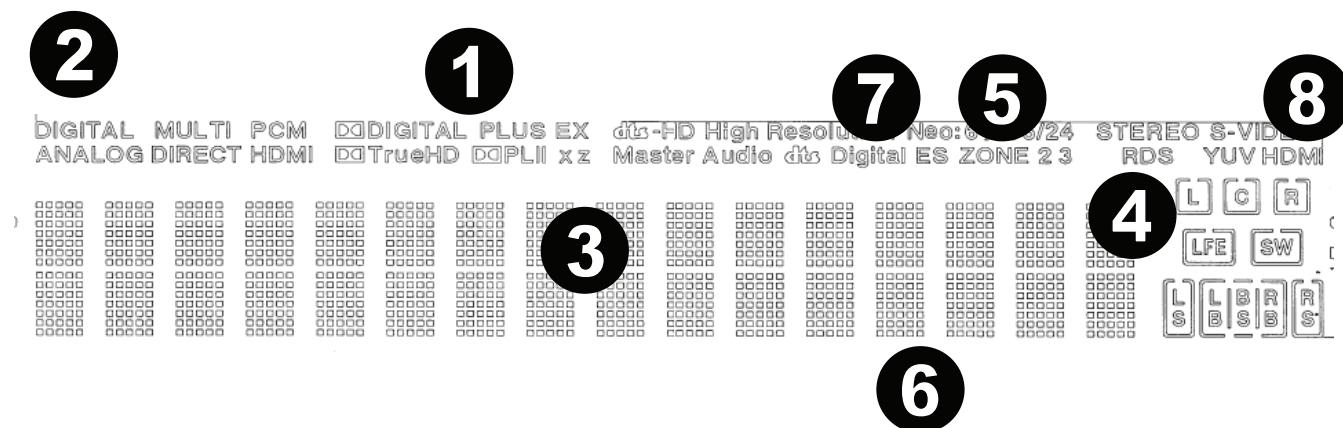
1. **Manopola Source Select:** girare questa manopola per selezionare la fonte di ingresso. Selezionare tra Bluetooth, TV, Tuner, DVD, Dock, BD, SAT/CBL, Game1, Game2, CD e Multimedia (selezionare tra servizi di streaming musicale, Internet radio, file salvati tra i preferiti su una rete, un server media o un drive flash USB).
2. **ON/Standby:** premere questo tasto per accendere o spegnere l'apparecchio. Quando l'apparecchio è spento, sarà in standby.
3. **Uscita cuffie:** collegare le cuffie a questa uscita da 1/4" (6,35 mm).
4. **Display VFD:** il display serve a mostrare informazioni sulla fonte audio selezionata, la stazione radio FM, l'Internet radio, i menu di configurazione e varie funzioni.
5. **Sensore IR:** puntare il telecomando a questa altezza per regolare le impostazioni dell'apparecchio.
6. **Volume Master:** servirsi di questa manopola per regolare il volume master dell'apparecchio.
7. **Zone On/Off:** servirsi di questo interruttore per accendere e spegnere la zona due.
8. **Zone Select:** servirsi di questo tasto per selezionare la fonte di ingresso da mappare sulla Zona 2.
9. **Sleep:** servirsi di questo tasto per impostare il timer sleep in incrementi di 10 minuti fino a un massimo di 120.
10. **Status:** servirsi di questo interruttore per visualizzare a display informazioni circa la fonte audio, il collegamento HDMI e lo stato di sblocco (Unlock).
11. **Tuner -/+:** servirsi di questi tasti per selezionare la stazione radio FM.
12. **Dimmer:** servirsi di questo smorzatore per regolare la luminosità del display VFD.
13. **Media:** servirsi di questo interruttore per un drive flash USB, Internet Radio o un server media.
14. **Bluetooth:** premere questo tasto per collegare l'apparecchio a un dispositivo Bluetooth. Tenere premuto questo tasto per 3 secondi per scollegare l'apparecchio da un dispositivo Bluetooth.
15. **Quick Selects:** servirsi di questi interruttori per selezionare audio, video o fonti di ingresso HDMI predefiniti.
16. **Key Lock:** Tenere premuto questo tasto per 3 secondi per scollegare l'apparecchio da un dispositivo Bluetooth. A display comparirà un messaggio che avvisa che tutti i tasti sono bloccati.
17. **HDMI IN:** collegare un dispositivo HDMI a questo ingresso HDMI presente sul pannello anteriore.
18. **Porta USB:** collegare a questo livello un drive flash USB contenente musica e file immagine. **WMA** (Windows Media Audio), **MP3** (MPEG-1 Audio Layer-3), **WAV**, **MPEG-4 AAC**, and **FLAC** (Free Lossless Audio Codec) sono supportati.

Pannello posteriore



1. **Ingressi digitali:** collegare a questo livello dispositivi dotati di ingressi audio coassiali e ottici.
2. **Connettore di rete:** questo connettore serve per collegare l'apparecchio a una LAN (local area network). La porta è utilizzata per controllare a distanza l'apparecchio, per effettuare lo streaming di audio da un server media o per collegarsi alla Internet radio.
3. **Ingressi video compositi:** collegare a questo livello uscite video provenienti da un dispositivo video composito.
4. **Ingressi HDMI:** servirsi di questi 5 ingressi HDMI per convogliare direttamente il video e l'audio da un lettore Blu-ray o da un lettore DVD all'uscita HDMI.
5. **Uscita HDMI:** collegare questa uscita HDMI a una TV, proiettore, monitor di computer o DVR.
6. **Ingressi audio analogici:** collegare a questo livello l'uscita audio delle proprie fonti audio.
7. **Porta seriale:** questo ingresso consente di collegare un dispositivo host (solitamente un computer) al DN-700AVP. Si può utilizzare tale dispositivo per controllare il DN-700AVP inviandogli comandi (servendosi di una porta seriale RS-232C).
8. **Uscita video (composita):** collegare questa uscita video all'ingresso video di un'altra fonte video.
9. **Ingressi video (component):** collegare gli ingressi video all'uscita video di un'altra fonte video.
10. **Uscite video (component):** collegare le uscite video all'ingresso video di un'altra fonte video.
11. **Antenna FM Tuner:** collegare a questo livello l'antenna in dotazione per ottenere la ricezione per fonti radio FM.
12. **CD In:** collegare questi ingressi XLR bilanciati all'uscita di un preamp o di un mixer.
13. **Interruttore di configurazione livello ingressi:** regolare questo interruttore per far passare l'ingresso audio a -10 dBV o +4 dBu.
14. **Uscite bilanciate:** collegare queste uscite XLR dei singoli canali surround all'ingresso di un mixer o di un preamp.
15. **Livello di uscita bilanciata:** regolare questo interruttore per far passare il livello dell'uscita XLR del canale surround a -10 dBV o +4 dBu.
16. **Ingresso di alimentazione:** collegare a questo livello il cavo di alimentazione in dotazione.
17. **Uscite di zona 2:** invia il segnale audio dall'uscita L/R e subwoofer a un altro punto.
18. **7.1 Uscita RCA:** servirsi di queste uscite coassiali per inviare singoli canali al mix surround dell'audio a un impianto di altoparlanti (75W per ciascun canale).
19. **Antenna Bluetooth:** l'antenna integrata è utilizzata per la ricezione Bluetooth.
20. **Aggiornamento firmware:** l'interruttore "Service/Normal" viene utilizzato per impostare la modalità dal collegamento USB per l'aggiornamento del firmware. Per un utilizzo normale, questo interruttore va lasciato su Normal.

Display



1. **Indicatori decoder:** si illuminano quando i rispettivi decoder sono in funzione.
2. **Indicatori segnale di ingresso:** si illuminano quando viene individuato un segnale di ingresso.
3. **Display informazioni:** il nome della fonte di ingresso, della modalità surround, dei valori delle impostazioni e altre informazioni sono visualizzati qui.
4. **Indicatore altoparlante:** si illumina quando l'altoparlante del canale surround è in uso.
5. **Indicatore di zona 2:** si illumina quando la zona 2 è accesa.
6. **Indicatore volume Master:** si illumina quando viene regolato il volume master.
7. **Indicatori modalità di ingresso:** configura le modalità di ingresso audio per le varie fonti di ingresso.
8. **Indicatore HDMI:** si illumina quando si riproduce una fonte utilizzando un collegamento HDMI.

Telecomando

Alimentazione (Power): accende e spegne l'apparecchio.

Mute: silenzia l'uscita audio. Premere nuovamente questo tasto per riattivare l'uscita audio.

Zone On/Off: accende/spegne l'uscita video/audio per la zona selezionata.

Zone Select (Sel): mappa la zona 2 sulla fonte di ingresso desiderata.

Display: premere questo comando per visualizzare le impostazioni della fonte di ingresso sulla TV o sul monitor del computer.

Stereo Direct: in modalità Stereo Direct, l'audio viene riprodotto il più vicino possibile al modo in cui era stato originariamente registrato.

Menu: accesso ai comandi per la regolazione delle impostazioni video, audio, fonti di ingresso, impostazioni di sistema e procedura guidata.

Setup altoparlante (Spk Set): regola i parametri per le uscite dell'altoparlante dell'audio surround. Selezionare il tipo di altoparlante (piccolo o grande) collegato alle uscite surround servendosi dei tasti ▲ o ▼.

Tasti cursore: selezionano una traccia audio o consentono di navigare lungo i menu.

Enter: premere questo comando per confermare una scelta nel menu.

Back (indietro): premere questo comando per tornare al menu precedente o per uscire da un menu.

OSD: Premere questo comando per spegnere il display del pannello anteriore.

BD/DVD: seleziona la fonte di ingresso BD/DVD.

GAME 1/2: seleziona la fonte di ingresso GAME 1/2.

SAT/CBL: seleziona la fonte di ingresso SAT/CBL.

CD: seleziona la fonte di ingresso CD.

Multimedia: seleziona la fonte di ingresso multimediale.

BT: seleziona la fonte di ingresso BT.

FM: seleziona la fonte di ingresso FM.

HDMI: premere questo comando per commutare tra le 6 fonti di ingresso HDMI.

Surround (Surr.): selezionare una delle diverse modalità di audio surround.

DOCK: seleziona la fonte di ingresso Dock.

Audio In: selezionare un ingresso audio da mappare sulla fonte selezionata attualmente. Scegliere tra **HDMI**, **Analog**, **Coax** (coassiale), ed **Opt** (ottica).

Station +/-: premere questi tasti per scorrere fino a una delle 20 stazioni radio memorizzate.

Tone: regola le qualità degli acuti e dei bassi della fonte audio.

Channel Select (Sel): premere questo tasto per commutare tra i canali audio surround. Premere il tasto ▲ o ▼ per regolare il volume del canale.

Volume +/- (Vol): regola il volume master della fonte di ingresso.

<<: passa alla traccia USB o Bluetooth precedente.

>>: passa alla traccia USB o Bluetooth successiva.

Play / Pause: riproduce/interrompe momentaneamente la traccia USB o Bluetooth.

Stop: ferma la traccia USB o Bluetooth in corso di riproduzione.

Stereo: premere questo comando per scegliere se avere un segnale stereo emesso da solo o se avere un segnale stereo con l'uscita del subwoofer.

Stereo/Mono (St/Mono): premere questo tasto per alternare tra la modalità Stereo e la modalità Mono.

Sub On/Off: accende e spegne l'uscita audio del subwoofer.

LFE Trim: questo effetto a bassa frequenza enfatizza i suoni a bassa frequenza, emettendo tonalità basse da 20 Hz a 120 Hz. Questo regola il livello del canale effetti a bassa frequenza nella colonna sonora di un film o nella registrazione di musica multicanale. Va notato che questo non è un controllo di livello del subwoofer, quindi funzionerà unicamente su colonne sonore su canale 5.1 che contengano un LFE.

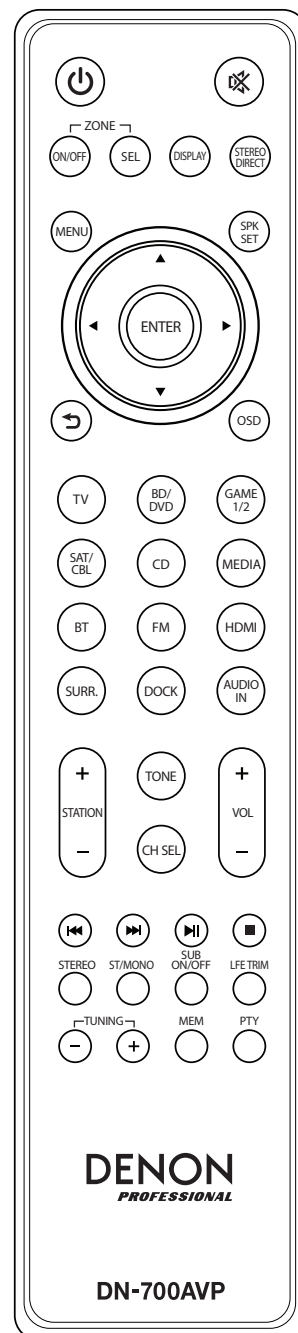
Tuning +/-: seleziona la stazione radio FM.

Memory (Mem): quando si riproducono file da un server di rete / media o si ascolta la radio, premere **Mem** per registrare il file / la stazione radio come preset tra i preferiti.

PTY (Program Type) Search: in modalità Tuner, premere questo tasto per cercare e memorizzare un determinato stile di programmazione radio.

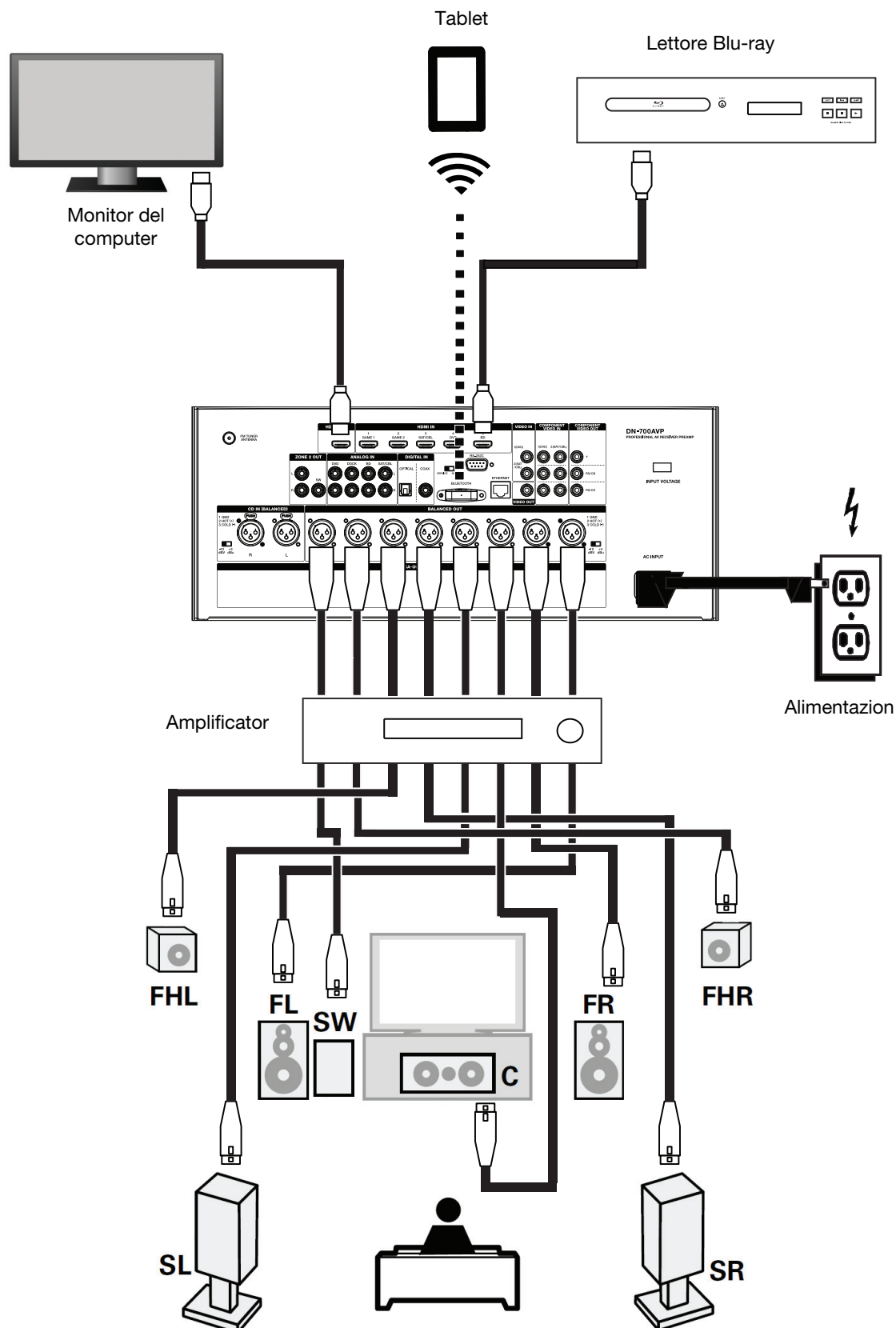
1. In modalità Tuner, premere il tasto **PTY**. "PTY SEL" compare a display.
2. Scegliere il programma PTY servendosi dei tasti **Tuner +** o **Tuner -**.
3. Premere **PTY** per confermare la selezione. "PTY SRH" compare a display.

Se viene trovato il programma PTY, verrà riprodotto il nuovo programma. Se non viene trovato alcun programma PTY, a display compare "No found".



Configurazione

Gli elementi non elencati sotto **Introduzione** > **Contenuti della confezione** sono venduti separatamente.



Primi passi

Servirsi della **procedura guidata** per regolare le seguenti impostazioni:

- Impostare la lingua per le istruzioni da visualizzare sul monitor della TV / del computer.
 - Impostare la fonte audio/video e le opzioni audio per ciascun altoparlante.
 - Configurare le impostazioni in modo tale che i dispositivi collegati possano essere utilizzati servendosi del telecomando in dotazione.
 - Configurare le impostazioni di rete per riprodurre file audio da un server media o da una radio in Internet.
1. Collegare gli altoparlanti surround al DN-700AVP.
 2. Impostare il monitor della televisione/del computer sulla fonte di ingresso collegata all'uscita HDMI del DN-700AVP.
 3. Accendere il DN-700AVP.
 4. Premere **Zone Select** per mappare la zona 2 sulla fonte di ingresso desiderata.
 5. Premere **Enter** per avviare la **procedura guidata**.
 6. Seguire le istruzioni della **procedura guidata** per configurare le fonti video e audio.

Uso

Scelta di una fonte di ingresso

Per selezionare tra le possibili fonti di ingresso, girare la manopola **Source Select** sul pannello anteriore, oppure premere uno dei tasti **Quick Select**. Alternativamente, premere uno dei tasti fonte pre-mappati sul telecomando.

Salvataggio di fonti su tasti di scelta rapida (Quick Select)

1. Servirsi della manopola **Source Select** per selezionare una fonte di ingresso.
2. Tenere premuto uno dei tasti **Quick Select** per 2 secondi. La fonte selezionata sarà memorizzata in **Quick Select**.

Regolazione del volume del singolo canale surround

Premere il tasto **Channel Select** sul telecomando per commutare tra i canali audio surround. Servirsi dei tasti ▲ o ▼ per regolare il volume del singolo canale.

Regolazione del volume master

Regolare il **Master Volume** servendosi della manopola sul pannello anteriore. Alternativamente, servirsi dei tasti ▲ o ▼ sul telecomando per farlo. Premere il tasto **Mute** sul telecomando per spegnere momentaneamente l'audio. Per annullare il silenziamento, premere nuovamente il tasto **Mute**, regolare la manopola **Master Volume** o regolare i tasti **Vol +/-** del telecomando.

Assegnazione di fonti ai connettori di ingresso

Questa schermata compare quando il menu **Input Setup ► Each Input Source ► Input Assign** viene selezionato. Servirsi del menu **Input Assign** per convogliare gli ingressi HDMI, gli ingressi digitali e gli ingressi component alle diverse fonti.

1. Se il DN-700AVP è spento, premere il tasto **Power** per accenderlo.
2. Premere il tasto **Menu** sul telecomando. Servirsi dei tasti **▲, ▼, ◀, ▶** per navigare fino al menu **Input Setup ► Each Input Source ► Input Assign**.
3. Servirsi dei tasti **▲, ▼, ◀, ▶** per passare alla fonte che si desidera impostare.
4. Premere **Enter**, quindi servirsi dei tasti cursore **◀** e **▶** per selezionare l'ingresso da assegnare.
5. Premere **Enter** per salvare la configurazione.

Note:

- I numeri predefiniti di assegnazione/fonte del connettore HDMI possono essere visualizzati sul pannello posteriore. I connettori HDMI possono essere riassegnati a fonti di ingresso diverse. Ad esempio, la fonte Blu-ray assegnata a **(5) BD** in via predefinita può essere riassegnata all'ingresso **(2) Game 2** dal meù **Input Assign**.
- Una fonte di ingresso alla quale un connettore di ingresso HDMI non può essere assegnato sarà visualizzato come **---**.
- Per riprodurre il segnale video assegnato ad **HDMI** combinato con il segnale audio assegnato a **Input Assign ► Digital**, selezionare **Digital** sotto **Input Mode**.
- Quando **HDMI Control** è On, l'ingresso HDMI non può essere assegnato a **TV**.

Utilizzo degli ingressi dock audio per la riproduzione di media

1. Se il DN-700AVP è spento, premere il tasto **Power** per accenderlo.
2. Collegare il proprio dispositivo mediale agli ingressi Dock sul DN-700AVP.
3. Premere **Dock** sul telecomando o servirsi della manopola **Source Select** per scegliere **Dock** come fonte di ingresso audio.
4. Avviare la riproduzione dal proprio dispositivo mediale e regolare il volume della fonte.

Riproduzione di file presenti su un drive USB flash

Un drive USB flash può essere collegato alla porta USB di questo apparecchio e riprodurre file musicali e file immagine. Solo drive USB flash conformi alla classe di memoria di massa e agli standard MTP (Media Transfer Protocol) possono essere riprodotti sul DN-700AVP, nel formato FAT16 o FAT32.

I formati di file supportati sono: **WMA** (Windows Media Audio), **MP3** (MPEG-1 Audio Layer-3), **WAV**, **MPEG-4 AAC** e **FLAC** (Free Lossless Audio Codec).

Riproduzione di file presenti su un drive USB flash

1. Se il DN-700AVP è spento, premere il tasto **Power** per accenderlo.
2. Collegare il drive USB flash (di memoria di massa) alla porta USB.
3. Selezionare **Multimedia** come tipo di media desiderato e servirsi dei tasti **Cursor ◀** e **▶** sul telecomando per selezionare **USB**.
4. Selezionare un file dall'elenco visualizzato sul DN-700AVP o sul monitor della TV / del computer.
Per muoversi tra i file audio o tra le cartelle, premere i tasti **Cursor ◀** e **▶** sul telecomando.
Premere **Enter** per aprire una cartella o per selezionare un file audio per avviare la riproduzione.

Riproduzione di audio da un dispositivo Bluetooth

1. Se il DN-700AVP è spento, premere il tasto **Power** per accenderlo.
2. Servirsi della manopola **Source Select** per scegliere **Bluetooth**.
3. Premere il tasto **Bluetooth**.
4. Navigare fino alla schermata di configurazione del dispositivo Bluetooth, trovare "DN-700AVP" e collegarlo.
5. Avviare la riproduzione di musica sul dispositivo Bluetooth.
Per interrompere il collegamento da un dispositivo Bluetooth, tenere premuto il tasto **Bluetooth** per 3 secondi.
Alternativamente, servirsi della manopola **Source Select** per scegliere un'altra fonte di riproduzione e scollegare il dispositivo collegato.

Nota bene: se il dispositivo Bluetooth richiede un codice di collegamento, digitare **0000**.

Ascoltare la radio

1. Se il DN-700AVP è spento, premere il tasto **Power** per accenderlo.
2. Servirsi della manopola **Source Select** per scegliere **Tuner**. l'audio della trasmissione inizierà a essere riprodotto immediatamente.
3. Per selezionare una stazione radio, servirsi dei tasti **Tuner +/-** sull'apparecchio o dei tasti **Tuning +/-** sul telecomando. Tenere premuto il tasto **Tuning +** o il tasto **Tuning -** per 2 secondi per effettuare una scansione e fermarsi alla stazione radio successiva avente un segnale forte.

Importante: assicurarsi di aver collegato correttamente l'antenna FM.

Nota bene: RDS è un metodo per la trasmissione di informazioni aggiuntive tramite stazioni VHF. Ad esempio il nome della trasmissione della stazione, il nome del programma, il tipo di programma saranno illustrati sul display multifunzione. Può funzionare solo se le stazioni di trasmissione locale sono dotate del sistema di trasmissione RDS e il segnale è sufficientemente forte.

Per salvare/ricchiama una stazione radio salvata come preset:

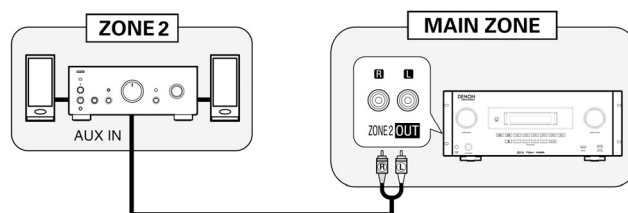
1. Se il DN-700AVP è spento, premere il tasto **Power** per accenderlo.
2. Servirsi della manopola **Source Select** per scegliere **Tuner**.
3. Selezionare una stazione radio servendosi dei tasti **Tuner +/-** sull'apparecchio o dei tasti **Tuning +/-** sul telecomando.
4. Premere il tasto **Mem** sul telecomando, quindi premere i tasti **Tuning +/-** per selezionare uno slot di memoria predefinito. Premere nuovamente il tasto **Mem** per salvare la stazione radio nel punto desiderato.
5. Per richiamare una stazione radio salvata, premere i tasti **Station +/-** per commutare tra i preset delle stazioni radio salvate.

Riproduzione di audio dalle uscite di Zona 2

È possibile riprodurre la stessa fonte audio sia nella zona principale che nella zona 2.

1. Premere **Zone On/Off** per accendere l'alimentazione della Zona 2.
2. Premere **Zone Select** per mappare la zona 2 sulla fonte di ingresso desiderata.
3. Riprodurre la fonte audio.

Nota bene: non è possibile riprodurre segnali di ingresso digitale utilizzando l'ingresso HDMI, Coassiale o Ottico per la Zona 2.



Collegamento a una rete

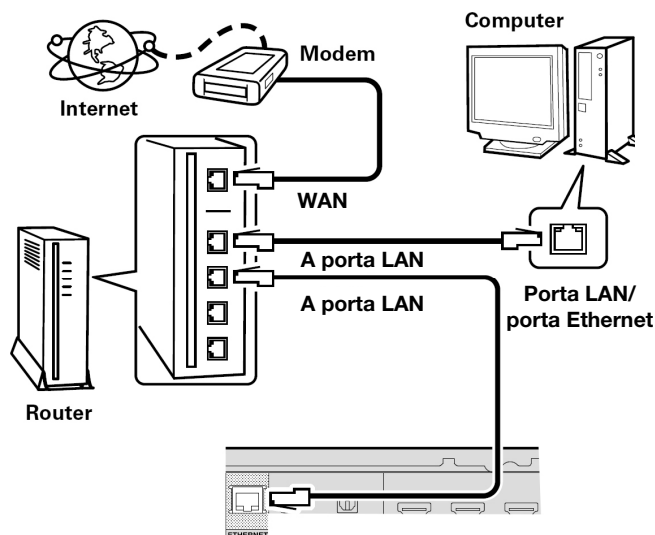
Si possono riprodurre file musicali memorizzati su un computer o da stazioni radio in Internet tramite la propria rete (LAN).

Dispositivi richiesti:

- **Connessione a Internet a banda larga**
 - **Modem**
 - **Router:** consigliamo di utilizzare un router dotato di un server DHCP incorporato e un interruttore 100BASE-TX incorporato. Quando si collegano più dispositivi, si consiglia di utilizzare un hub con una velocità pari o superiore a 100 Mbps.
 - **Cavo Ethernet (si consiglia l'uso di un cavo di Cat 5 o superiore):** servirsi unicamente di un cavo LAN STP o ScTP schermato.
- Se si utilizza un servizio Internet sul quale occorre effettuare le impostazioni di rete manualmente o privo di funzione DHCP, regolare le impostazioni direttamente dal menu Network Setup. Quando si regolano le impostazioni di rete manualmente, confermarle con il proprio amministratore di rete. Non collegare il cavo Ethernet dal DN-700AVP direttamente alla porta LAN / connettore Ethernet sul computer.

1. Collegare il cavo Ethernet dal DN-700AVP alla rete.
2. Accendere il DN-700AVP. Il DN-700AVP si collegherà automaticamente alle reti dotate di DHCP.

Quando ci si collega a una rete priva di funzione DHCP, regolare manualmente le impostazioni nel menu Network Connect.



Riproduzione di file di rete/media server

1. Se il DN-700AVP è spento, premere il tasto **Power** per accenderlo.
2. Servirsi della manopola **Source Select** per scegliere **Multimedia** come fonte, selezionare **Media Server** servendosi dei tasti ▲ o ▼, quindi premere **Enter** o ►.
3. Premere i tasti ▲ o ▼ per selezionare il server, quindi premere **Enter** o ►.
4. Servirsi dei tasti ▲ o ▼ per selezionare il file, quindi premere **Enter** o ►.
La riproduzione inizierà una volta che il buffering raggiunge il "100%".

Ascolto di musica in streaming / su Internet radio

Si possono ascoltare servizi di streaming musicale o trasmissioni radio distribuite tramite Internet. Le stazioni di Internet radio possono essere selezionate per genere e luogo.

1. Se il DN-700AVP è spento, premere il tasto **Power** per accenderlo.
2. Assicurarsi che le impostazioni di rete del DN-700AVP siano corrette.
3. Servirsi della manopola **Source Select** per scegliere **Multimedia**.
4. Servirsi dei tasti **Cursor** ◀ e ▶ sul telecomando per selezionare un servizio di streaming musicale o una stazione di Internet radio, quindi premere **Enter** o ►.
5. Premere ▲ o ▼ per selezionare la stazione, quindi premere **Enter** o ►.
La riproduzione inizierà una volta che il buffering raggiunge il "100%".

Salvataggio di stazioni Internet radio tra i Preferiti

1. Se il DN-700AVP è spento, premere il tasto **Power** per accenderlo.
2. Servirsi della manopola **Source Select** per scegliere **Multimedia**.
3. Servirsi dei tasti **Cursor** ◀ e ▶ sul telecomando per selezionare una stazione di Internet radio, quindi premere **Enter** o ►.
4. Selezionare una stazione di Internet radio, quindi premere **Enter** o ► per avviare la riproduzione.
5. Mentre la stazione di Internet radio che si desidera memorizzare come preset sta suonando, premere **Mem.**
6. Premere ▲ o ▼ per selezionare **Favorites**, quindi premere **Enter**.
7. Premere ◀ per selezionare **Add**.

Ascolto delle stazioni di Internet radio memorizzate tra i Preferiti

1. Se il DN-700AVP è spento, premere il tasto **Power** per accenderlo.
2. Servirsi della manopola **Source Select** per scegliere **Multimedia**.
3. Servirsi dei tasti **Cursor** ◀ e ▶ sul telecomando per selezionare **Favorites**.
4. Premere ▲ o ▼ per selezionare la stazione di Internet radio, quindi premere **Enter** o ►.
La riproduzione inizierà una volta che il buffering raggiunge il "100%".

Risoluzione di problemi

In caso di problemi, innanzitutto verificare quanto segue:

- Assicurarsi che tutti i cavi e tutti i dispositivi collegati siano ben collegati.
- Assicurarsi di utilizzare il DN-700AVP come descritto in questa Guida per l'uso.
- Assicurarsi che gli altri dispositivi o media funzionino correttamente.
- Se si ritiene che il DN-700AVP non funzioni correttamente, verificare se nella seguente tabella sono presenti il problema specifico e la relativa soluzione.

Problema:	Soluzione:
Non si accende.	Assicurarsi che il cavo di alimentazione sia ben collegato al DN-700AVP e alla presa di corrente.
Il display è spento.	Impostare lo smorzatore su un valore diverso da "Off".
L'indicatore del pulsante di alimentazione lampeggia di rosso a intervalli di 2 secondi.	La temperatura all'interno dell'apparecchio è aumentata. Spegnerne l'alimentazione e riaccenderlo dopo che la temperatura è calata a sufficienza. Reinstallare l'apparecchio in un punto con buona ventilazione.
Non viene emesso alcun audio	Controllare il collegamento del cavo audio. Al momento di emettere audio HDMI dagli altoparlanti, impostare "HDMI Audio Out" nel menu su "AMP". Assicurarsi che l'audio non sia silenziato (mute). Al momento di emettere audio HDMI dalla TV, impostare "HDMI Audio Out" nel menu su "TV".
Nessun video.	Controllare il collegamento del cavo video. Impostare la fonte sul DN-700AVP in modo che corrisponda all'ingresso video connesso. Impostare la TV per correggere la fonte di ingresso. Se si utilizzano cavi HDMI, verificare se la TV è compatibile con la protezione del copyright (HDCP). Se ci si collega a un dispositivo non compatibile con HDCP, il video non sarà trasmesso correttamente.
L'audio Dolby TrueHD, DTSHD, Dolby Digital Plus non funziona	Assicurarsi di utilizzare cavi HDMI.
Quando si collega un drive flash USB, "USB" non compare nel menu.	Assicurarsi che il drive flash USB sia collegato bene. Assicurarsi di aver collegato un drive flash USB conforme alla classe di memoria di massa o agli standard MTP. Collegare il drive flash USB direttamente alla porta USB (non tramite un hub USB).
Impossibile riprodurre file presenti su un drive flash USB.	Assicurarsi che il drive flash USB sia stato formattato come FAT16 o FAT32. Se il drive flash USB è diviso in più partizioni, solo i file memorizzati su quella superiore possono essere riprodotti. Il tipo di file non è supportato. Si sta tentando di riprodurre un file protetto da copyright. I file protetti da copyright non possono essere riprodotti su questo apparecchio.
I nomi dei file non sono visualizzati correttamente a display ("...", ecc.).	Sono utilizzati caratteri non supportati. I caratteri che non possono essere mostrati a display sono sostituiti da un ".".

Problema:	Soluzione:
Impossibile riprodurre file salvati su un computer/server media.	I file sono memorizzati in un formato non compatibile. I file protetti da copyright non possono essere riprodotti su questo apparecchio.
Impossibile trovare il computer/server media o impossibile collegarsi.	Il firewall del computer o del router è attivo. Assicurarsi che il computer sia acceso. Assicurarsi che il server sia stato lanciato. Assicurarsi di utilizzare il giusto indirizzo IP.
Suono di scarsa qualità durante la riproduzione su una rete.	La velocità di trasferimento del segnale di rete è lenta o la stazione Internet radio è congestionata.
L'audio proveniente dal mio dispositivo Bluetooth non viene riprodotto tramite il DN-700AVP.	Assicurarsi di aver collegato adeguatamente il dispositivo Bluetooth. Migliorare la ricezione del segnale Bluetooth avvicinando il dispositivo Bluetooth al DN-700AVP. La portata del Bluetooth è influenzata da pareti, ostacoli e movimento. Per ottenere prestazioni ottimali, collocare il dispositivo nella stanza con linea d'aria libera in modo che non sia ostacolato da pareti, mobili, ecc.
Il collegamento del mio dispositivo Bluetooth al DN-700AVP richiede un PIN.	Inserire 0000 come PIN. (Alcuni dispositivi Bluetooth più obsoleti possono richiedere l'inserimento di un PIN.)
Impossibile utilizzare il DN-700AVP con il telecomando.	Inserire batterie nuove. Utilizzare il telecomando entro una distanza di 7 m dall'apparecchio e ad un'angolazione di 30° dal sensore IR del pannello anteriore. Rimuovere qualsiasi ostacolo presente tra l'apparecchio e il telecomando. Il sensore del telecomando è esposto a una luce forte (luce diretta del sole, lampadine fluorescenti, ecc.). Spostare l'apparecchio in un punto dove il sensore del telecomando non sia esposto a una luce forte.

Benutzerhandbuch (Deutsch)

Einführung

Lieferumfang

DN-700AVP

Stromkabel

FM-Antenne

Fernbedienung

Benutzerhandbuch

Sicherheitshinweise und Garantieinformationen

Kundendienst

Für die neuesten Informationen zu diesem Produkt (Dokumentation, technische Daten, Systemanforderungen, Informationen zur Kompatibilität etc.) und für die Produktregistrierung besuchen Sie denonpro.com.

Um weitere Unterstützung zu Ihrem Produkt zu erhalten, besuchen Sie denonpro.com/support.

Sicherheit und Vorsichtsmaßnahmen

- Halten Sie das Gerät frei von Feuchtigkeit, Wasser und Staub.
- Blockieren Sie die Lüftungsschlitze nicht.
- Lassen Sie keine Fremdkörper in die Lüftungsschlitze fallen.

Bevor Sie das Gerät einschalten

- Sorgen Sie dafür, dass alle Anschlüsse korrekt sind und dass keine Probleme mit den Verbindungskabeln bestehen.
- Die Stromzufuhr zu einigen Schaltkreisen erfolgt auch dann, wenn sich das Gerät im Standby-Modus befindet. Wenn Sie längere Zeit nicht zu Hause sind, vergessen Sie bitte nicht das Netzkabel von der Steckdose abzuziehen.

Kondensation

- Wenn zwischen dem Geräteinneren und der Umgebung große Temperaturunterschiede bestehen, kann sich Kondenswasser (Tauwasser) an den Funktionsteilen des Gerätes bilden, wodurch es zu Gerätestörungen kommen kann. In solchen Fällen lassen Sie das Gerät ausgeschaltet ein bis zwei Stunden ruhen und warten bis sich die Temperaturunterschiede angeglichen haben bevor Sie das Gerät wieder verwenden.

Vorsichtsmaßnahmen bei der Verwendung von Mobiltelefonen

- Die Verwendung eines Mobiltelefons in der Nähe dieses Geräts kann zu Interferenzen mit Video- und Audiosignalen führen. Wenn dies geschieht, bewegen Sie das Mobiltelefon weiter weg vom Gerät, wenn Sie es verwenden.

Betriebszeit für Dauerbetrieb

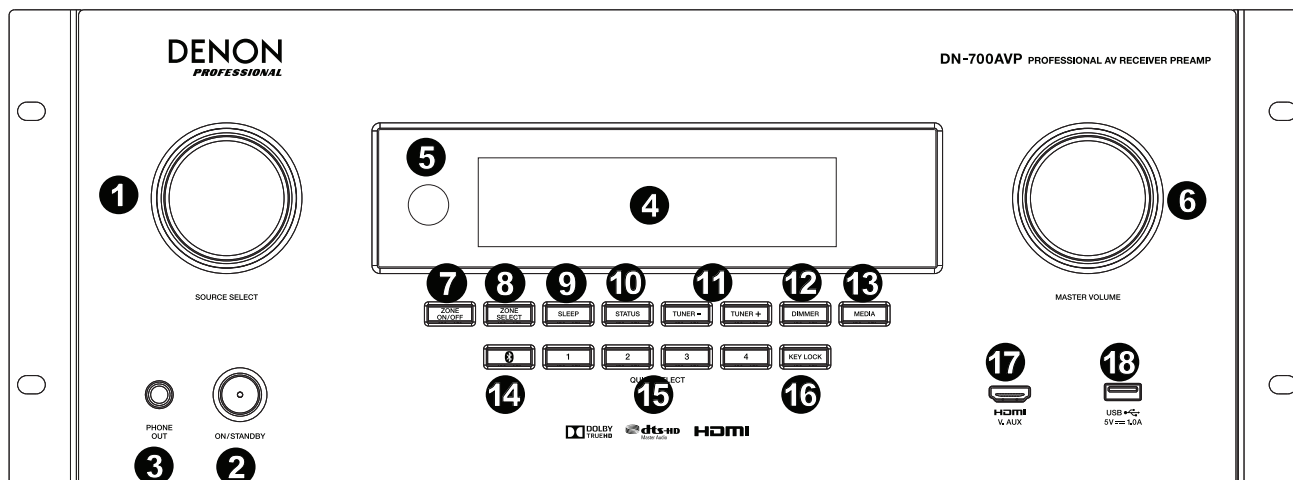
- Dieses Gerät kann bis zu 24 Stunden ununterbrochen verwendet werden. Wenn Sie dieses Gerät länger als 24 Stunden verwenden, kann es zu Betriebsstörungen kommen. Um die Verwendung länger als 24 Stunden fortzusetzen, starten Sie das Gerät alle 24 Stunden neu.

Pflege und Reinigung

- Wischen Sie das Gehäuse und das Panel mit einem weichen Tuch ab.
- Benzol, Farbverdünner oder andere Lösungsmittel können Verfärbungen verursachen, wenn sie mit dem Gerät in Berührung kommen und dürfen nicht verwendet werden.

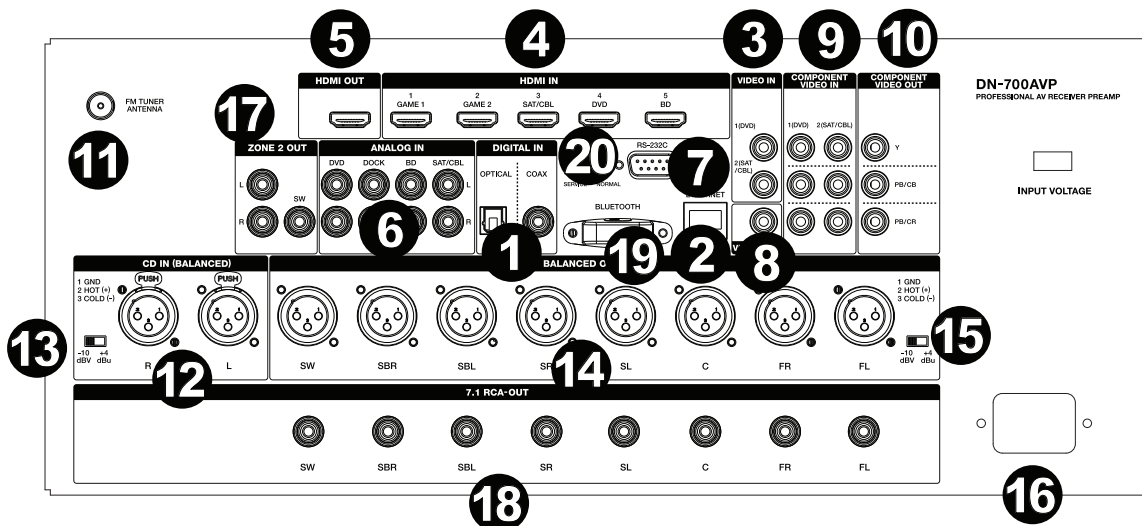
Funktionen

Vorderseite



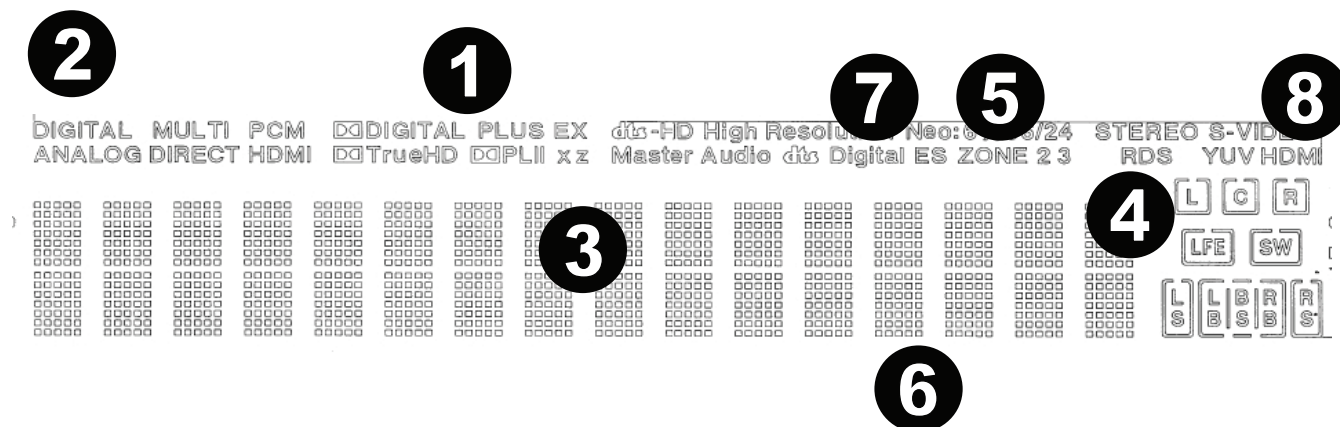
1. **Source Select-Regler:** Drehen Sie diesen Regler, um die Eingangsquelle auszuwählen. Wählen Sie zwischen Bluetooth, TV, Tuner, DVD, Dock, BD, SAT/CBL, Game1, Game2, CD und Multimedia (Musikstreaming, Internetradio, in einem Netzwerk, auf einem Medienserver oder angeschlossenen USB-Stick gespeicherte Favoriten).
2. **ON/Standby:** Drücken Sie diese Taste, um das Gerät ein-/auszuschalten. Wenn das Gerät ausgeschaltet ist, befindet es sich in einem Bereitschaftsmodus.
3. **Kopfhörerausgang:** Schließen Sie Kopfhörer an diesen 1/4" (6,35 mm) Ausgang an.
4. **VFD Display:** Im Display werden Informationen über die ausgewählte Audioquelle, den FM-Radiosender, das Internetradio, Einrichtungsmenüs und verschiedene Funktionen angezeigt.
5. **IR-Sensor:** Richten Sie die **Fernbedienung** hierhin, um Einstellungen am Geräte vorzunehmen.
6. **Master-Lautstärke:** Verwenden Sie diesen Regler, um die Master-Lautstärke des Gerätes zu steuern.
7. **Zone On/Off:** Verwenden Sie diesen Schalter, um Zone 2 ein- oder auszuschalten.
8. **Zone Select:** Mit dieser Taste können Sie auswählen, welcher Quelleneingang der Zone 2 zugeordnet ist.
9. **Sleep:** Verwenden Sie diesen Schalter, um den Sleep Timer in Schritten von 10 Minuten bis zu 120 Minuten einzustellen.
10. **Status:** Verwenden Sie diesen Schalter, um Informationen über die Audioquelle, die HDMI-Verbindung und den Freigabestatus anzuzeigen.
11. **Tuner +/-:** Mit diesen Tasten können Sie den FM-Radiokanal auswählen.
12. **Dimmer:** Verwenden Sie den Schalter, um die Helligkeit des VFD-Displays zu steuern.
13. **Medium:** Verwenden Sie diese Option, um auf einen angeschlossenen USB-Stick, Internetradio oder Medienserver umzuschalten.
14. **Bluetooth:** Drücken Sie diese Taste, um das Gerät mit einem Bluetooth-Gerät zu koppeln. Um ein gekoppeltes Bluetooth-Gerät zu trennen, halten Sie diese Taste 3 Sekunden lang gedrückt.
15. **Quick Selects:** Verwenden Sie diese Schalter, um voreingestellte Audio-, Video- oder HDMI-Eingangsquellen auszuwählen.
16. **Key Lock:** Halten Sie diese Taste 3 Sekunden lang gedrückt um alle anderen Schalter auf der Vorderseite zu sperren. Auf dem Display erscheint eine Meldung, dass alle Tasten gesperrt sind.
17. **HDMI IN:** Schließen Sie ein HDMI-Gerät an diesen HDMI-Eingang an.
18. **USB-Anschluss:** Schließen Sie hier einen USB-Stick mit Musik- und Bilddateien an. **WMA** (Windows Media Audio), **MP3** (MPEG-1 Audio Layer-3), **WAV**, **MPEG-4 AAC**, und **FLAC** (Free Lossless Audio Codec) werden unterstützt.

Rückseite



1. **Digitale Eingänge:** Schließen Sie hier Geräte mit koaxialen und optischen Audioeingängen an.
2. **Netzwerkanschluss:** Über diesen Anschluss wird das Gerät mit einem LAN (Local Area Network) verbunden. Der Port wird verwendet, um das Gerät fernzusteuern, Audio von einem Medienserver zu streamen oder eine Internetverbindung herzustellen.
3. **Composite-Video-Eingänge:** Schließen Sie hier die Video-Ausgänge eines Composite-Videoegeräts an.
4. **HDMI-Eingänge:** Verwenden **Sie diese** 5 HDMI-Eingänge, um Video und Audio direkt von einem Blu-ray-Player oder DVD-Player zum HDMI-Ausgang zu leiten.
5. **HDMI-Ausgang:** Schließen Sie diesen HDMI-Ausgang an einen Fernseher, Projektor, Computermonitor oder DVR an.
6. **Analoge Audio-Eingänge:** Schließen Sie hier den Audio-Ausgang Ihrer Tonquellen an.
7. **Serieller Anschluss:** Über diesen Eingang können Sie ein Host-Gerät (in der Regel einen Computer) mit dem DN-700AVP verbinden. Sie können das Host-Gerät verwenden, um Steuerbefehle an das DN-700AVP zu senden (via RS-232C serielle Schnittstelle).
8. **Videoausgang (Composite):** Verbinden Sie diesen Videoausgang mit dem Videoeingang einer anderen Videoquelle.
9. **Videoeingänge (Component):** Verbinden Sie die Videoeingänge mit dem Videoausgang einer anderen Videoquelle.
10. **Videoausgänge (Component):** Verbinden Sie die Videoausgänge mit dem Videoeingang einer anderen Videoquelle.
11. **FM-Tunerantenne:** Schließen Sie die mitgelieferte Antenne hier an, um FM-Radioquellen empfangen zu können.
12. **CD In:** Verbinden Sie diese symmetrischen XLR-Eingänge mit dem Ausgang eines Vorverstärkers oder Mischers.
13. **Eingangspegelschalter:** Hiermit schalten Sie den Audioeingangspegel auf -10 dBV oder +4 dBu.
14. **Symmetrische Ausgänge:** Schließen Sie diese XLR-Ausgänge an den Eingang eines Mischpults oder eines Vorverstärkers an.
15. **Symmetrischer Ausgangspegel:** Hiermit schalten Sie den XLR-Ausgangspegel des Surround-Kanals auf -10 dBV oder +4 dBu.
16. **Netzeingang:** Schließen Sie das mitgelieferte Netzkabel hier an.
17. **Zone 2 Ausgänge:** Sendet das Audiosignal vom L/R- und Subwoofer-Ausgang an einen anderen Ort.
18. **7.1 Cinch-Ausgang:** Verwenden Sie diese koaxialen Ausgänge, um einzelne Surround-Mix-Kanäle an ein Lautsprecher-Setup (75W pro Kanal) zu senden.
19. **Bluetooth-Antenne:** Die integrierte Antenne wird für den Bluetooth-Empfang verwendet.
20. **Firmware Aktualisieren:** Der Schalter „Service/Normal“ wird verwendet, um den USB-Anschlussmodus für die Aktualisierung der Firmware einzustellen. Bei normalem Betrieb sollte dieser Schalter in der Position Normal belassen werden.

Display



1. **Decoder-Anzeigen:** Diese leuchten, wenn die jeweiligen Decoder arbeiten.
2. **Eingangssignal-Anzeigen:** Diese leuchten, wenn ein Eingangssignal erkannt wird.
3. **Informationsanzeige:** Der Name der Eingangsquelle, der Surround-Modus, Einstellwerte und andere Informationen werden hier angezeigt.
4. **Lautsprecher-Anzeige:** Diese Anzeige leuchtet, wenn der Surround-Kanal-Lautsprecher verwendet wird.
5. **Zone 2-Anzeige:** Diese Anzeige leuchtet, wenn Zone 2 eingeschaltet ist.
6. **Master Volume-Anzeige:** Leuchtet, wenn die Master-Lautstärke eingestellt ist.
7. **Eingangsmodus-Anzeigen:** Stellt die Audioeingabemodi für die verschiedenen Eingangsquellen ein.
8. **HDMI-Anzeige:** Diese Anzeige leuchtet bei der Wiedergabe einer Quelle über eine HDMI-Verbindung auf.

Fernbedienung

Stromversorgung: Schaltet das Gerät ein und aus.

Stummschalten: Stummschaltung der Tonausgabe. Drücken Sie die Taste erneut, um die Tonausgabe fortzusetzen.

Zone On/Off: Schaltet den Video-/Audioausgang für die ausgewählte Zone ein/aus.

Zone Auswählen (Sel): Weisen Sie Zone 2 dem gewünschten Quelleneingang zu.

Display: Drücken Sie diese Taste, um die Eingangseinstellungen auf Ihrem Fernsehgerät oder Computermonitor anzuzeigen.

Stereo Direct: Im Stereo Direct-Modus wird das Audiosignal möglichst unverfälscht wiedergegeben.

Menu: Rufen Sie die Einstellungen für Video, Audio, Eingangsquellen, Systemeinstellungen und den Setup-Assistenten auf.

Lautsprecher-Setup (Spk Set): Passen Sie die Parameter für die Surround-Lautsprecher an. Wählen Sie mit den Tasten ▲ oder ▼ den mit den Surround-Ausgängen verbundenen Lautsprechertyp (klein oder groß) aus.

Cursor-Tasten: Wählt eine Audiospur aus oder navigiert durch die Menüs.

Enter: Drücken Sie diese Taste, um eine Menüauswahl zu bestätigen.

Zurück: Drücken Sie diese Taste, um zum vorherigen Menü zu gelangen oder das Menü zu verlassen.

OSD: Drücken Sie diese Taste, um das On-Screen-Bedienfeld zu deaktivieren.

BD/DVD: Auswahl der BD/DVD-Eingangsquelle.

GAME 1/2: Auswahl der GAME1/2-Eingangsquelle.

SAT/CBL: Wählt die SAT/CBL-Eingangsquelle.

CD: Wählt die CD-Eingangsquelle.

Multimedia: Wählt die Multimedia-Eingangsquelle.

BT: Wählt die BT-Eingangsquelle.

FM: Wählt die FM-Eingangsquelle.

HDMI: Drücken Sie diese Taste, um durch eine der 6 HDMI-Eingangsquellen zu blättern.

Surround (Surr.): Wählen Sie aus den verschiedenen Surround-Sound-Modi.

DOCK: Wählt die Dock-Eingangsquelle.

Audio In: Wählen Sie einen Audioeingang, der der aktuell ausgewählten Quelle zugeordnet werden soll. Wählen Sie aus **HDMI**, **Analog**, **Coax**, (koaxial) und **Opt** (optisch).

Station +/-: Drücken Sie diese Tasten, um durch 20 Senderspeicherplätze zu blättern.

Tone: Stellt die Höhen und Bässe für die Klangquelle ein.

Kanalauswahl (Ch Sel): Drücken Sie diese Taste, um durch jeden der Surround-Soundkanäle zu blättern. Drücken Sie die Tasten ▲ oder ▼, um den Kanalpegel einzustellen.

Lautstärke +/- (Vol): Stellen Sie die Hauptlautstärke für die Eingangsquelle ein.

|<<: Springen Sie zum vorherigen USB-Track oder Bluetooth-Track.

>>|: Springen Sie zum nächsten USB-Track oder Bluetooth-Track.

Wiedergabe/Pause: Wiedergabe/Pause des USB-Tracks oder Bluetooth-Tracks.

Stopp: Stoppt den aktuell abgespielten USB- oder Bluetooth-Track.

Stereo: Drücken Sie diese Taste, um ein Stereosignal mit oder ohne Subwooferausgang, auszugeben.

Stereo/Mono (St/Mono): Drücken Sie diese Taste, um zwischen Stereo- und Mono-Modus zu wechseln.

Sub On/Off: Ein-/Ausschalten des Subwoofers.

LFE Trim: Dieser Low Frequency-Effekt unterstreicht die tiefen Frequenzen und gibt einen Bass von 20 Hz bis 120 Hz aus. Dies passt den Pegel des tieffrequenten Effektkanals in einem Film-Soundtrack oder einer Mehrkanal-Musikaufnahme an. Beachten Sie, dass es sich nicht um einen Subwoofer-Pegelregler handelt und nur auf 5.1-Kanal-Soundtracks mit einem LFE funktioniert.

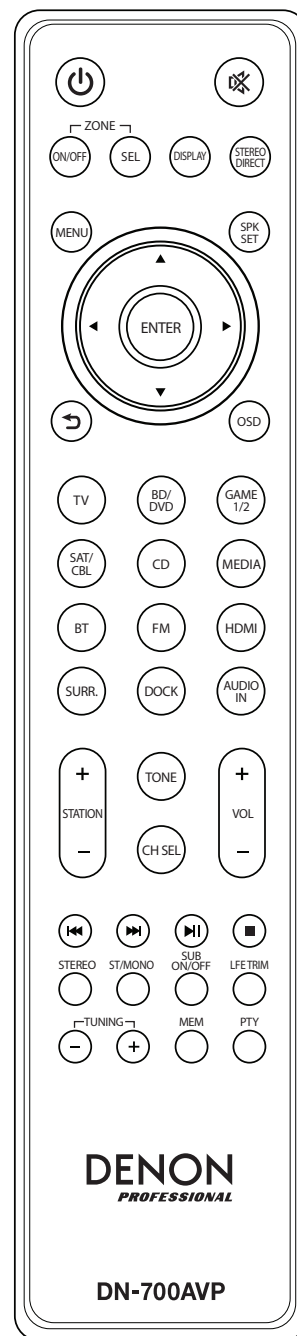
Tuning +/-: Wählt den FM-Radiosender.

Speicher (Mem): Wenn Sie Dateien von einem Netzwerk-/Medienserver abspielen oder Radio hören, drücken Sie **Mem**, um die Datei/den Radiosender als Favoriten zu speichern.

PTY (Programmtyp)-Suche: Im Tuner-Modus drücken Sie diese Taste, um nach einer bestimmten Programmart zu suchen und diese zu speichern.

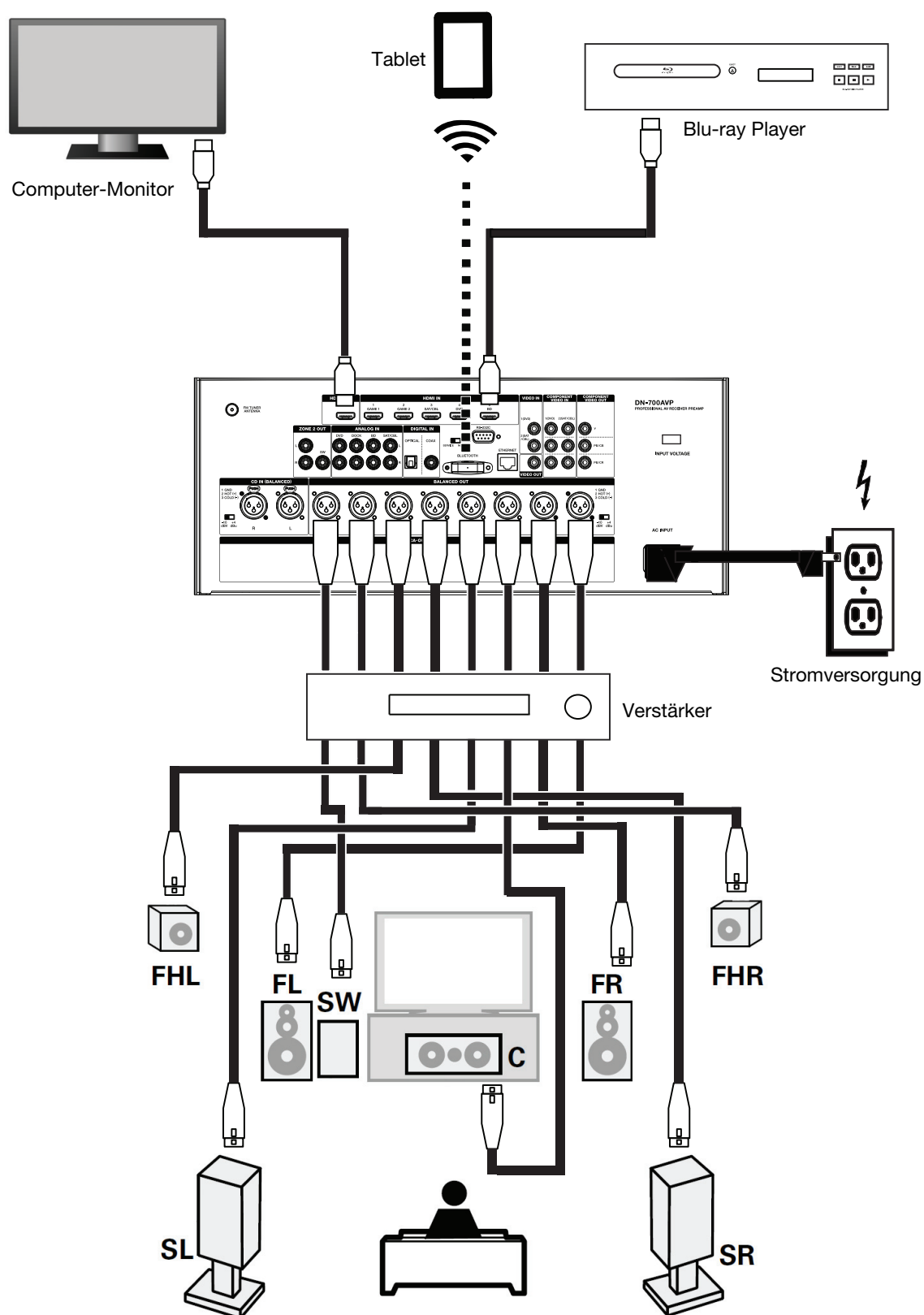
1. Drücken Sie im Tuner-Modus die **PTY**-Taste. Am Display wird „PTY SEL“ angezeigt.
2. Wählen Sie das PTY-Programm über die Tasten **Tuner +** oder **Tuner -** aus.
3. Drücken Sie **PTY**, um die Auswahl zu bestätigen. Am Display wird „PTY SRH“ angezeigt.

Wenn das PTY-Programm gefunden wurde, beginnt die Wiedergabe des neuen Programms. Wenn kein PTY-Programm gefunden wird, wird „No found“ am Display angezeigt.



Setup

Teile, die nicht unter **Einführung > Lieferumfang** angegeben sind, sind separat erhältlich.



Erste Schritte

Verwenden Sie den **Setup-Assistenten**, um die folgenden Einstellungen anzupassen:

- Stellen Sie die Sprache für die Anweisungen ein, die auf Ihrem Fernseh- / Computermonitor zu sehen sind.
 - Stellen Sie die Audio-/Videoquelle und die Tonoptionen für jeden Lautsprecher ein.
 - Konfigurieren Sie die Einstellungen, damit angeschlossene Geräte mit der mitgelieferten Fernbedienung bedient werden können.
 - Konfigurieren Sie die Netzwerkeinstellungen, um Audiodateien von einem Medienserver oder Internetradio abzuspielen.
1. Schließen Sie Ihre Surround-Sound-Lautsprecher an das DN-700AVP an.
 2. Stellen Sie Ihren Fernseher/Computermonitor auf die Eingangsquelle, die mit dem HDMI-Ausgang des DN-700AVP verbunden ist.
 3. Schalten Sie DN-700AVP ein.
 4. Drücken Sie **Zone Auswählen**, um die Zone 2 dem gewünschten Quelleneingang zuzuweisen.
 5. Drücken Sie **Enter**, um den **Setup-Assistenten** zu starten.
 6. Folgen Sie den Anweisungen des **Setup-Assistenten**, um die Video- und Audioquellen einzurichten.

Betrieb

Auswahl einer Eingangsquelle

Um die Eingangsquellenoptionen auszuwählen, drehen Sie den **Source Select**-Regler auf dem Bedienfeld oder drücken Sie eine der **Quick Select**-Tasten. Alternativ können Sie auch eine der vorkonfigurierten Quellentasten auf der Fernbedienung drücken.

Speichern von Quellen auf Quick Select-Tasten

1. Verwenden Sie den **Source Select**-Regler, um eine Eingangsquelle auszuwählen.
2. Halten Sie eine der **Quick Select**-Tasten 2 Sekunden lang gedrückt. Die gewählte Quelle wird im **Quick Select**-Speicherort gespeichert.

Einstellen einzelner Surround-Kanalpegel

Drücken Sie die **Kanalauswahl**taste auf der Fernbedienung, um durch die einzelnen Surround-Kanäle zu blättern. Verwenden Sie die Tasten **▲** oder **▼**, um die Lautstärke einzustellen.

Einstellen der Gesamtlautstärke

Stellen Sie das **Master Volume** mit dem Regler an der Vorderseite ein. Alternativ können Sie mit den Fernbedienungstasten **▲** oder **▼** die Masterlautstärke einstellen. Drücken Sie die Taste **Mute** auf der Fernbedienung, um den Ton vorübergehend auszuschalten. Um die Stummschaltung aufzuheben, drücken Sie erneut die **Mute**-Taste, stellen den **Master Volume**-Regler ein oder stellen die **Vol +/-**-Tasten der Fernbedienung ein.

Zuweisen von Quellen an Eingangsanschlüsse

Dieser Bildschirm wird angezeigt, wenn das Menü **Input Setup ▶ Each Input Source ▶ Input Assign** ausgewählt ist. Verwenden Sie das Eingangszuweisungsmenü, um die HDMI-Eingänge, die digitalen Eingänge und die Komponenteneingänge an verschiedene Quellen zu senden.

1. Wenn das DN-700AVP ausgeschaltet ist, drücken Sie den **Ein-/Ausschalter**, um es einzuschalten.
2. Drücken Sie auf der Fernbedienung die Taste **Menu**. Verwenden Sie die Tasten **▲**, **▼**, **◀**, **▶**, um zum Menü **Input Setup ▶ Each Input Source ▶ Input Assign** zu gelangen.
3. Verwenden Sie die Tasten **▲**, **▼**, **◀**, **▶**, um zur Quelle zu gelangen, die Sie einstellen möchten.
4. Drücken Sie **Enter** und wählen Sie mit den Cursortasten **◀** und **▶** den zuzuordnenden Eingang aus.
5. Drücken Sie **Enter**, um die Einstellung zu speichern.

Hinweise:

- Die Standard-HDMI-Anschlussbelegungen/Quellnummern sind auf der Rückseite zu sehen. Diese HDMI-Anschlüsse können auf unterschiedliche Eingangsquellen zugewiesen werden. Beispielsweise kann die Blu-ray-Quelle, die standardmäßig **(5) BD** zugeordnet ist, dem Eingang **2 (2) Game 2** aus dem Input Assign-Menü zugewiesen werden.
- Eine Eingangsquelle, der kein HDMI-Eingangsanschluss zugeordnet werden kann, wird als **---** angezeigt.
- Um das an **HDMI** zugeordnete Videosignal zusammen mit dem Audiosignal abzuspielen, das via **Input Assign ▶ Digital** zugewiesen wurde, wählen Sie **Digital** im Eingangsmodus.
- Wenn **HDMI Control** auf „Ein“ eingestellt ist, kann der HDMI-Eingang dem **TV** nicht zugewiesen werden.

Verwenden der Dock-Audioeingänge für die Medienwiedergabe

1. Wenn das DN-700AVP ausgeschaltet ist, drücken Sie den **Ein-/Ausschalter**, um es einzuschalten.
2. Schließen Sie Ihr Mediengerät an die Dock-Eingänge des DN-700AVP an.
3. Drücken Sie **Dock** auf der Fernbedienung oder verwenden Sie den **Source Select**-Regler, um **Dock** als Audioeingangsquelle zu wählen.
4. Starten Sie die Wiedergabe von Ihrem Mediengerät und stellen Sie die Quellenlautstärke ein.

Wiedergabe von Audiodateien auf einem USB-Stick

Ein USB-Stick kann an den USB-Port dieses Geräts angeschlossen werden, um Musik- und Bilddateien wiederzugeben. Am DN-700AVP können nur USB-Sticks nach Massenspeicherklasse und MTP-Standards (Media Transfer Protocol) im FAT16- oder FAT32-Format abgespielt werden.

Die unterstützten Dateiformate umfassen: **WMA** (Windows Media Audio), **MP3** (MPEG-1 Audio Layer-3), **WAV**, **MPEG-4 AAC** und **FLAC** (Free Lossless Audio Codec).

Wiedergabe von Audiodateien auf einem USB-Stick:

1. Wenn das DN-700AVP ausgeschaltet ist, drücken Sie den **Ein-/Ausschalter**, um es einzuschalten.
2. Schließen Sie Ihr USB-Gerät (Massenspeicher-Klasse) an den USB-Anschluss an.
3. Wählen Sie **Multimedia** als gewünschten Medientyp und wählen Sie mit den **Cursortasten** **◀** und **▶** auf der Fernbedienung **USB** aus.
4. Wählen Sie eine Datei aus der Liste, die auf dem DN-700AVP oder Ihrem TV-/Computermonitor angezeigt wird.
Um sich durch Audiodateien oder Ordner zu bewegen, drücken Sie die **Cursor-Tasten** **◀** und **▶** auf der Fernbedienung. Drücken Sie **Enter**, um einen Ordner zu öffnen oder eine Audiodatei auszuwählen, um die Wiedergabe zu starten.

Audiowiedergabe von einem Bluetooth-Gerät

1. Wenn das DN-700AVP ausgeschaltet ist, drücken Sie den **Ein-/Ausschalter**, um es einzuschalten.
2. Verwenden Sie den **Source Select**-Regler, um **Bluetooth** auszuwählen.
3. Drücken Sie die **Bluetooth**-Taste.
4. Navigieren Sie zum Setup-Bildschirm Ihres Bluetooth-Geräts, suchen „DN-700AVP“ und verbinden die Geräte.
5. Spielen Sie auf Ihrem Bluetooth-Gerät Musik ab.

Um ein gekoppeltes Bluetooth-Gerät zu trennen, halten Sie die Bluetooth-Taste 3 Sekunden lang gedrückt. Alternativ können Sie mit dem **Source Select**-Regler eine andere Wiedergabequelle auswählen und die Verbindung trennen.

Hinweis: Wenn Ihr Bluetooth-Gerät die Eingabe eines Koppel-Codes anfordert, geben Sie **0000** ein.

Radio hören

1. Wenn das DN-700AVP ausgeschaltet ist, drücken Sie den **Ein-/Ausschalter**, um es einzuschalten.
2. Verwenden Sie den **Source Select**-Regler, um **Tuner** auszuwählen. Die Audiowiedergabe der Radiosendung wird automatisch gestartet.
Wichtig: Stellen Sie sicher, dass die FM-Antenne korrekt angeschlossen ist.
3. Um einen Radiosender auszuwählen, verwenden Sie die **Tuner-Tasten +/-** am Gerät oder die **Tuning-Tasten +/-** auf der Fernbedienung. Halten Sie die Taste **Tuning +** oder **Tuning -** 2 Sekunden lang gedrückt, um beim nächsten Radiosender mit starkem Signal zu stoppen.
Hinweis: RDS ist ein Verfahren zur Übertragung von Zusatzinformationen über VHF-Stationen. Beispielsweise wird der Name des Senders, der Name des Programms oder die Art des Programms am Multifunktionsdisplay angezeigt. Dies funktioniert nur, wenn die lokalen Sender die RDS-Übertragung haben und das Signal stark genug ist.

So können Sie einen Radiosender als Preset speichern/aufrufen:

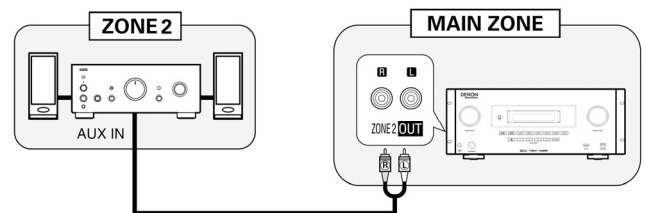
1. Wenn das DN-700AVP ausgeschaltet ist, drücken Sie den **Ein-/Ausschalter**, um es einzuschalten.
2. Verwenden Sie den **Source Select**-Regler, um **Tuner** auszuwählen.
3. Um einen Radiosender auszuwählen, verwenden Sie die **Tuner-Tasten +/-** am Gerät oder die **Tuning-Tasten +/-** auf der Fernbedienung.
4. Drücken Sie die Taste **Mem** auf der Fernbedienung und drücken dann die Tasten **Tuning +/-**, um eine voreingestellte Speicherstelle auszuwählen. Drücken Sie die **Mem**-Taste erneut, um den Radiosender an der ausgewählten Stelle zu speichern.
5. Um einen gespeicherten Radiosender aufzurufen, drücken Sie die **Stationstasten +/-**, um die gespeicherten Radiosender-Presets zu durchlaufen.

Audiowiedergabe aus den Zone 2-Ausgängen

Sie können gleichzeitig die gleiche Audioquelle sowohl in der Hauptzone als auch in der Zone 2 wiedergeben.

1. Drücken Sie **Zone On/Off**, um die Zone 2 einzuschalten.
2. Drücken Sie **Zone Select**, um die Zone 2 dem gewünschten Quelleneingang zuzuweisen.
3. Spielen Sie Ihre Audioquelle ab.

Hinweis: Es ist nicht möglich, digitale Eingangssignale über den HDMI-, Koaxial- oder Optischen Eingang für Zone 2 abzuspielen.

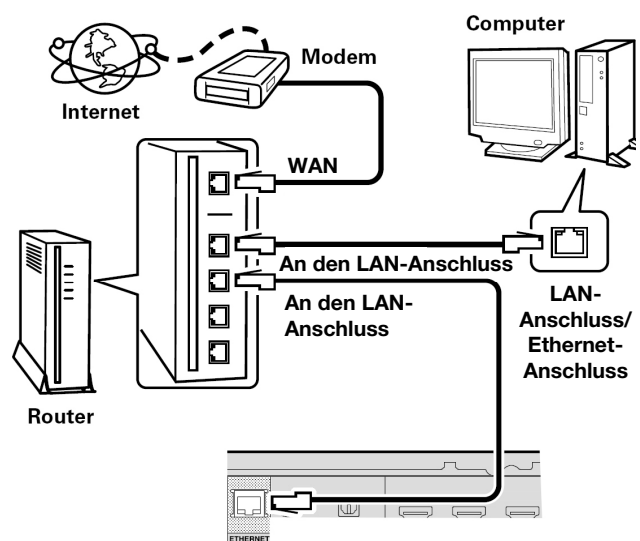


Anschließen an ein Netzwerk

Sie können auf Ihrem Computer gespeicherte Musikdateien oder Internet-Radiosender über Ihr Netzwerk (LAN) wiedergeben.

Benötigte Ausrüstung:

- **Breitbandinternetverbindung**
 - **Modem**
 - **Router:** Wir empfehlen die Verwendung eines Routers, der mit einem integrierten DHCP-Server und einem eingebauten 100BASE-TX-Switch ausgestattet ist. Beim Anschluss mehrerer Geräte empfehlen wir einen Switching Hub mit einer Geschwindigkeit von 100 Mbit/s oder mehr.
 - **Ethernet-Kabel (CAT-5 oder höher empfohlen):** Verwenden Sie nur ein abgeschirmtes STP- oder ScTP-LAN-Kabel. Wenn Sie einen Internet-Dienst verwenden, auf dem Netzwerkeinstellungen manuell oder ohne DHCP-Funktion vorgenommen werden, nehmen Sie die Einstellungen direkt im Menü NetworkSetup ein. Wenn Sie die Netzwerkeinstellungen manuell ändern, bestätigen Sie die Einstellungen mit Ihrem Netzwerkadministrator. Schließen Sie das Ethernet-Kabel von DN-700AVP nicht direkt an den LAN-Port/Ethernet-Anschluss Ihres Computers an.
3. Verbinden Sie Ihr Ethernet-Kabel vom DN-700AVP mit Ihrem Netzwerk.
 4. Schalten Sie das DN-700AVP ein. DN-700AVP wird automatisch in Netzwerken mit DHCP verbunden.
Wenn Sie eine Verbindung zu einem Netzwerk herstellen, das keine DHCP-Funktion hat, können Sie die Einstellungen manuell im Network Connect-Menü anpassen.



Wiedergabe von Netzwerk-/Media Server-Dateien

1. Wenn das DN-700AVP ausgeschaltet ist, drücken Sie den **Ein-/Ausschalter**, um es einzuschalten.
2. Verwenden Sie den **Source Select**-Regler, um **Multimedia** als Quelle auszuwählen, wählen Sie **Media Server** mit den Tasten **▲** oder **▼**, und drücken Sie dann **Enter** oder **▶**.
3. Drücken Sie die Tasten **▲** oder **▼**, um den Server auszuwählen und drücken Sie dann **Enter** oder **▶**.
4. Verwenden Sie die Tasten **▲** oder **▼**, um die Datei auszuwählen und drücken dann **Enter** oder **▶**.
Die Wiedergabe beginnt, sobald die Pufferung „100%“ erreicht.

Wiedergabe von Musik-Streams/Internet Radio

Sie können Streaming-Musikdienste oder Radiosendungen hören, die über das Internet verbreitet werden. Die Internet-Radiosender können nach Genre und Standort ausgewählt werden.

1. Wenn das DN-700AVP ausgeschaltet ist, drücken Sie den **Ein-/Ausschalter**, um es einzuschalten.
2. Überprüfen Sie, ob die Netzwerkeinstellungen am DN-700AVP korrekt sind.
3. Verwenden Sie den **Source Select**-Regler, um **Multimedia** auszuwählen.
4. Verwenden Sie die **Cursor-Tasten** **◀** und **▶** auf der Fernbedienung, um einen Musikstreamingdienst oder einen Internetradiosender zu wählen und drücken Sie dann **Enter** oder **▶**.
5. Drücken Sie **▲** oder **▼**, um den Sender auszuwählen und drücken Sie dann **Enter** oder **▶**.
Die Wiedergabe beginnt, sobald die Pufferung „100%“ erreicht.

Internetradiosender als Favoriten speichern

1. Wenn das DN-700AVP ausgeschaltet ist, drücken Sie den **Ein-/Ausschalter**, um es einzuschalten.
2. Verwenden Sie den **Source Select**-Regler, um **Multimedia** auszuwählen.
3. Verwenden Sie die **Cursor-Tasten** **◀** und **▶** auf der Fernbedienung, um einen Internetradiosender zu wählen und drücken Sie dann **Enter** oder **▶**.
4. Wählen Sie einen Internetradiosender aus und drücken dann **Enter** oder **▶**, um die Wiedergabe zu starten.
5. Drücken Sie **Mem** während der Internet-Radiosender, den Sie als Preset speichern möchten, läuft.
6. Drücken Sie **▲** oder **▼**, um **Favoriten** auszuwählen, und drücken Sie dann **Enter**.
7. Drücken Sie **◀**, um **Add** auszuwählen.

Wiedergabe von Internetradiosendern, die in Ihren Favoriten gespeichert sind

1. Wenn das DN-700AVP ausgeschaltet ist, drücken Sie den **Ein-/Ausschalter**, um es einzuschalten.
2. Verwenden Sie den **Source Select**-Regler, um **Multimedia** auszuwählen.
3. Wählen Sie mit den **Cursortasten** **◀** und **▶** auf der Fernbedienung die Option **Favorites**.
4. Drücken Sie **▲** oder **▼**, um den Internetradiosender auszuwählen und drücken dann **Enter** oder **▶**.
Die Wiedergabe beginnt, sobald die Pufferung „100%“ erreicht.

Fehlerbehebung

Wenn ein Problem auftritt, versuchen Sie zuerst folgende Lösungen:

- Achten Sie darauf, dass alle Kabel und andere angeschlossene Geräte korrekt und sicher verbunden sind.
- Achten Sie darauf, dass Sie das DN-700AVP laut vorliegendem Benutzerhandbuch verwenden.
- Achten Sie darauf, dass Ihre anderen Geräte oder Medien ordnungsgemäß funktionieren.
- Wenn Sie glauben, dass das DN-700AVP nicht ordnungsgemäß funktioniert, überprüfen Sie die folgende Tabelle auf Lösungen für das Problem.

Problem:	Lösung:
Das Gerät lässt sich nicht einschalten.	Stellen Sie sicher, dass das Netzkabel ordnungsgemäß mit dem DN-700AVP und einer Steckdose verbunden ist.
Das Display ist ausgeschaltet.	Stellen Sie den Dimmer auf eine andere Einstellung als „Off“.
Die Betriebsanzeige blinkt in 2-Sekunden-Intervallen rot.	Die Temperatur im Gerät ist gestiegen. Schalten Sie das Gerät aus und wieder ein, nachdem die Temperatur ausreichend gesunken ist. Stellen Sie das Gerät an einem Ort mit guter Belüftung wieder auf.
Es wird kein Audiosignal ausgegeben	Überprüfen Sie die Audiokabelverbindungen. Wenn Sie HDMI-Audio von den Lautsprechern ausgeben, stellen Sie „HDMI Audio Out“ im Menü auf „AMP“. Stellen Sie sicher, dass der Ton nicht stummgeschaltet ist. Wenn Sie HDMI-Audio von einem Fernsehgerät ausgeben, stellen Sie „HDMI Audio Out“ im Menü auf „TV“.
Es wird kein Videosignal ausgegeben.	Überprüfen Sie die Videokabelverbindungen. Wählen Sie am DN-700AVP den verbundenen Videoeingang als Quelle ein. Stellen Sie Ihr Fernsehgerät auf die richtige Eingangsquelle ein. Überprüfen Sie bei Verwendung von HDMI-Kabeln, ob das Fernsehgerät mit dem Urheberrechtsschutz (HDCP) kompatibel ist. Wenn Sie mit einem Gerät verbunden sind, das nicht mit HDCP kompatibel ist, wird das Video nicht korrekt ausgegeben.
Dolby TrueHD, DTS HD, Dolby Digital Plus-Audiosignale werden nicht ausgegeben.	Stellen Sie sicher, dass HDMI-Kabel verwendet werden.
Wenn ein USB-Stick angeschlossen ist, wird „USB“ im Menü nicht angezeigt.	Überprüfen Sie, ob das USB-Flash-Laufwerk ordnungsgemäß angeschlossen ist. Stellen Sie sicher, dass ein USB-Flash-Laufwerk gemäß Massenspeicherklasse oder MTP-Standards angeschlossen ist. Schließen Sie das USB-Flash-Laufwerk direkt an den USB-Port an (also nicht über einen USB-Hub).
Dateien auf einem USB-Stick können nicht abgespielt werden.	Stellen Sie sicher, dass der USB-Stick als FAT16 oder FAT32 formatiert wurde. Wenn der USB-Stick in mehrere Partitionen unterteilt ist, können nur Dateien, die in der oberen Partition gespeichert sind, abgespielt werden. Der Dateityp wird nicht unterstützt. Sie versuchen, eine urheberrechtlich geschützte Datei abzuspielen. Dateien, die urheberrechtlich geschützt sind, können auf diesem Gerät nicht wiedergegeben werden.
Die Dateinamen werden nicht richtig angezeigt („...“ usw.).	Nicht unterstützte Dateinamen werden verwendet. Zeichen, die nicht angezeigt werden können, werden durch ein „.“ ersetzt.

Problem:	Lösung:
Dateien, die auf einem Computer/Medienserver gespeichert sind, können nicht wiedergegeben werden.	Dateien werden in einem nicht kompatiblen Format gespeichert. Dateien, die urheberrechtlich geschützt sind, können auf diesem Gerät nicht wiedergegeben werden.
Der Computer/Medienserver wird nicht gefunden oder kann keine Verbindung herstellen.	Die Firewall des Computers oder Routers ist aktiv. Stellen Sie sicher, dass der Computer eingeschaltet ist. Stellen Sie sicher, dass der Server gestartet wird. Stellen Sie sicher, dass die korrekte IP-Adresse verwendet wird.
Der Ton ist während der Wiedergabe über ein Netzwerk schlecht.	Die Übertragungsgeschwindigkeit des Netzwerks ist langsam oder der Internetradiosender ist überlastet.
Die Audiosignale von meinem Bluetooth-Gerät werden nicht über das DN-700AVP abgespielt.	Stellen Sie sicher, dass eine ordnungsgemäße Verbindung zu Ihrem Bluetooth-Gerät hergestellt wurde. Verbessern Sie den Bluetooth-Signalempfang, indem Sie Ihr Bluetooth-Gerät näher an das DN-700AVP bringen. Die Bluetooth-Reichweite wird durch Wände, Hindernisse und Bewegungen beeinflusst. Um die optimale Leistung zu erzielen, platzieren Sie das Gerät in Sichtlinie im Raum, so dass Wände, Möbel etc. nicht stören können.
Das Koppeln meines Bluetooth-Geräts mit dem DN-700AVP erfordert einen PIN.	Geben Sie 0000 als PIN ein. (Einige ältere Bluetooth-Geräte können Sie auffordern, einen PIN einzugeben.)
Das DN-700AVP kann nicht mit der Fernbedienung bedient werden.	Ersetzen Sie die Batterien. Nutzen Sie die Fernbedienung innerhalb von ca. 7 m (23 Fuß) vom Gerät entfernt und in einem Winkel von 30° zum IR-Sensor. Entfernen Sie jegliche Hindernisse zwischen dem Gerät und der Fernbedienung. Der Fernbedienungssensor des Gerätes ist starkem Licht ausgesetzt (direktes Sonnenlicht, Leuchtstoffröhren usw.). Bewegen Sie das Gerät an eine Stelle, an der der Fernbedienungssensor keinem starken Licht ausgesetzt ist.

Appendix (English)

Technical Specifications

Bluetooth Specifications	Version: 4.0 Profile: A2DP, AVRCP Range: 49.2 ft.; 15m Maximum Transmission Power: -6 dB – +4 dB, Class 2 Frequency: 2.4 GHz – 2.48 GHz
FM Tuner	Frequency Range: 87.5 MHz – 108 MHz
USB	File System: FAT 16/32 Media Type: USB Flash Drive
Audio Specifications	Preamp Outputs: 7.1 surround sound Level: -10 dBv or +4 dBu Frequency Response: 10 kHz – 100 kHz, +/-1.0 dB Dynamic Range: 10 kHz – 100 kHz, A-weighted, >90 dB Signal-to-Noise: 1 kHz, 0 dB, A-weighted, >90 dB Distortion: <0.006% T.H.D: 1 kHz, 0 dB, A-weighted, <0.01%
Supported Surround Formats	Dolby TrueHD, Dolby Digital Plus, Dolby Digital, DTS-HD Master Audio, DTS ES
Supported File Types	WMA, MP3, WAV, MPEG-4 AAC, and FLAC files
Analog Input	Unbalanced RCA: Nominal Level: -10 dBV (at full scale: -16 dB) Minimum Input Level: -19 dBV or higher Input Impedance: 47 kΩ ± 10%, Unbalanced
Digital Inputs	Coaxial: RCA (IEC-60958 Type II) Optical: Toslink (IEC-60958 Type II)
Composite Video	Input/Output Level: 1V/p-p Impedance: 75 Ω Frequency Response: 5 Hz – 10 MHz
Component Video	Input Level: Y signal, 1Vp-p P _B /C _B signal, 0.7Vp-p P _R /C _R signal, 0.7Vp-p
Impedance	Y signal, 75 Ω P _B /C _B signal, 75 Ω P _R /C _R signal, 75 Ω
Frequency Response	5 Hz – 60 MHz
HDMI	Version 1.4b (3D and ARC supported)
Power	Connection: IEC Input Voltage: 100–120 V / 220–240 V Consumption: 30 W Operating Temperature: 41 °F – 113 °F Operating Humidity: 25–85%, non-condensing
Dimensions (width x depth x height)	19.00" x 13.66" x 6.93" 483 x 347 x 176 mm
Weight	19.1 lbs. 8.67 mm

Specifications are subject to change without notice.

Wireless reception and range are affected by walls, obstructions, and movement. For optimal performance, place the product in the center of the room so it is unobstructed by walls, furniture, etc.

Trademarks & Licenses

Denon is a trademark of D&M Holdings Inc., registered in the U.S. and other countries. Denon Professional products are produced by inMusic Brands, Inc., Cumberland, RI 02864, USA.

The *Bluetooth* word mark and logos are registered trademarks owned by Bluetooth SIG, Inc. and any use of such marks by Denon Professional is under license.

Dolby and the double-D symbol are registered trademarks of Dolby Laboratories.

DTS-HD Master Audio and the Symbol are trademarks or registered trademarks, and is a trademark of DTS, Inc.

The terms HDMI and the HDMI Logo are trademarks or registered trademarks of HDMI Licensing LLC in the United States and other countries.

All other product names, company names, trademarks, or trade names are those of their respective owners.

denonpro.com