



DT-21

Digital Optical Audio Switcher



Operation Manual

DISCLAIMERS

The information in this manual has been carefully checked and is believed to be accurate. Cypress Technology assumes no responsibility for any infringements of patents or other rights of third parties which may result from its use.

Cypress Technology assumes no responsibility for any inaccuracies that may be contained in this document. Cypress also makes no commitment to update or to keep current the information contained in this document.

Cypress Technology reserves the right to make improvements to this document and/or product at any time and without notice.

COPYRIGHT NOTICE

No part of this document may be reproduced, transmitted, transcribed, stored in a retrieval system, or any of its part translated into any language or computer file, in any form or by any means—electronic, mechanical, magnetic, optical, chemical, manual, or otherwise—without express written permission and consent from Cypress Technology.

© Copyright 2011 by Cypress Technology.

All Rights Reserved.

Version 1.1 August 2011

TRADEMARK ACKNOWLEDGMENTS

All products or service names mentioned in this document may be trademarks of the companies with which they are associated.





SAFETY PRECAUTIONS

Please read all instructions before attempting to unpack, install or operate this equipment and before connecting the power supply.

Please keep the following in mind as you unpack and install this equipment:

- Always follow basic safety precautions to reduce the risk of fire, electrical shock and injury to persons.
- To prevent fire or shock hazard, do not expose the unit to rain, moisture or install this product near water.
- Never spill liquid of any kind on or into this product.
- Never push an object of any kind into this product through any openings or empty slots in the unit, as you may damage parts inside the unit.
- Do not attach the power supply cabling to building surfaces.
- Use only the supplied power supply unit (PSU). Do not use the PSU if it is damaged.
- Do not allow anything to rest on the power cabling or allow any weight to be placed upon it or any person to walk on it.
- To protect the unit from overheating, do not block any vents or openings in the unit housing that provide ventilation and allow for sufficient space for air to circulate around the unit.

REVISION HISTORY

VERSION NO.	DATE DD/MM/YY	SUMMARY OF CHANGE
VR0	11/01/08	Preliminary Release
VS1	24/06/13	Updated format/diagrams



CONTENTS

1. Introduction	1
2. Applications	1
3. Package Contents	1
4. System Requirements	1
5. Features	2
6. Operation Controls and Functions	3
6.1 Front Panel.....	3
6.2 Rear Panel	3
6.3 Left Panel	4
6.4 Top Panel	4
7. Connection Diagram	5
8. Specifications	6
9. Acronyms	7





1. INTRODUCTION

The Optical Digital Audio Switcher can switch two optical digital inputs to a single optical digital output to lengths of up to 5m, using TosLink optical cables, reliably and without loss of quality. It is designed to be compact, easy to install and use, making it ideal for home or professional audio distribution.

2. APPLICATIONS

- Add an additional optical digital input to an AV Receiver
- Switch optical digital sources for use with an audio over CAT cable extender (such as a CH-304TX/CH-304RX, Cypress TosLink/Coax over Single CAT5e/6/7 Transmitter and Receiver)

3. PACKAGE CONTENTS

- 1×Optical Digital Audio Switcher
- 1×5V DC Power Supply

4. SYSTEM REQUIREMENTS

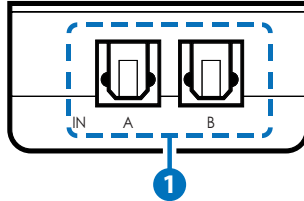
Source devices such as a CD or Blu-Ray player with an optical digital output and an AV Receiver or Active speakers with an optical digital input and optical cables.

5. FEATURES

- Supports the S/PDIF standard of digital audio transmission
- Supports uncompressed 2-channel LPCM (Linear Pulse Code Modulation) audio signal
- Supports compressed 2-channel and multi-channel Dolby Digital and DTS audio signals
- Provides electromagnetic-noise-free transmission
- Easy to install and to operate

6. OPERATION CONTROLS AND FUNCTIONS

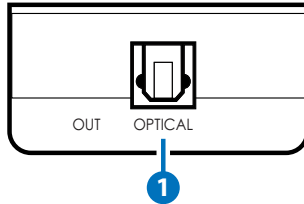
6.1 Front Panel



1 OPTICAL IN A/B

Connect the TOSLink input ports to the TOSLink outputs of source equipment such as a games console, set-top box or DVD player.

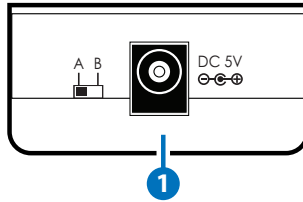
6.2 Rear Panel



1 OPTICAL OUT

Connect the TOSLink output port to the TOSLink input port of audio equipment such as an AV receiver or active speakers.

6.3 Left Panel



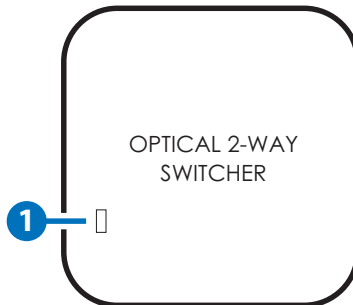
1 Input Selection

Use this mini-switch to select the required input (A or B).

2 DC 5V

Connect the 5V DC power supply to the unit and plug the adaptor into an AC wall outlet.

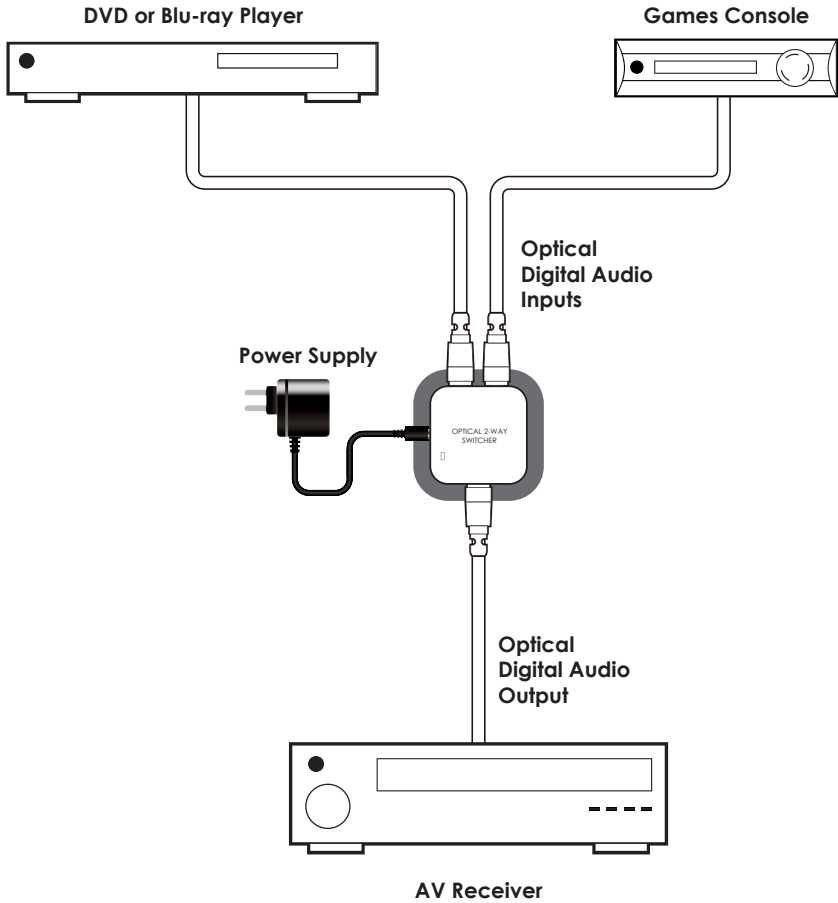
6.4 Top Panel



1 Power LED

The LED will illuminate when connected to a power supply.

7. CONNECTION DIAGRAM





8. SPECIFICATIONS

Input Ports	2×Optical (TOSLink)
Output Port	1×Optical (TOSLink)
Power Supply	5 V/0.5 A or 0.36 A DC (US/EU standards, CE/FCC/UL certified)
Dimensions	46 mm (W)×45.5 mm (D)×23.5mm (H)
Weight	22g
Chassis Material	Plastic
Silkscreen Color	White
Operating Temperature	0 °C ~ 40 °C

9. ACRONYMS

ACRONYM	COMPLETE TERM
DTS	Digital Theater Systems
LPCM	Linear Pulse Code Modulation
S/PDIF	Sony/Philips Digital Interconnect Format
TOSLink	Toshiba Link



CYPRESS TECHNOLOGY CO., LTD

Home page: <http://www.cypress.com.tw>