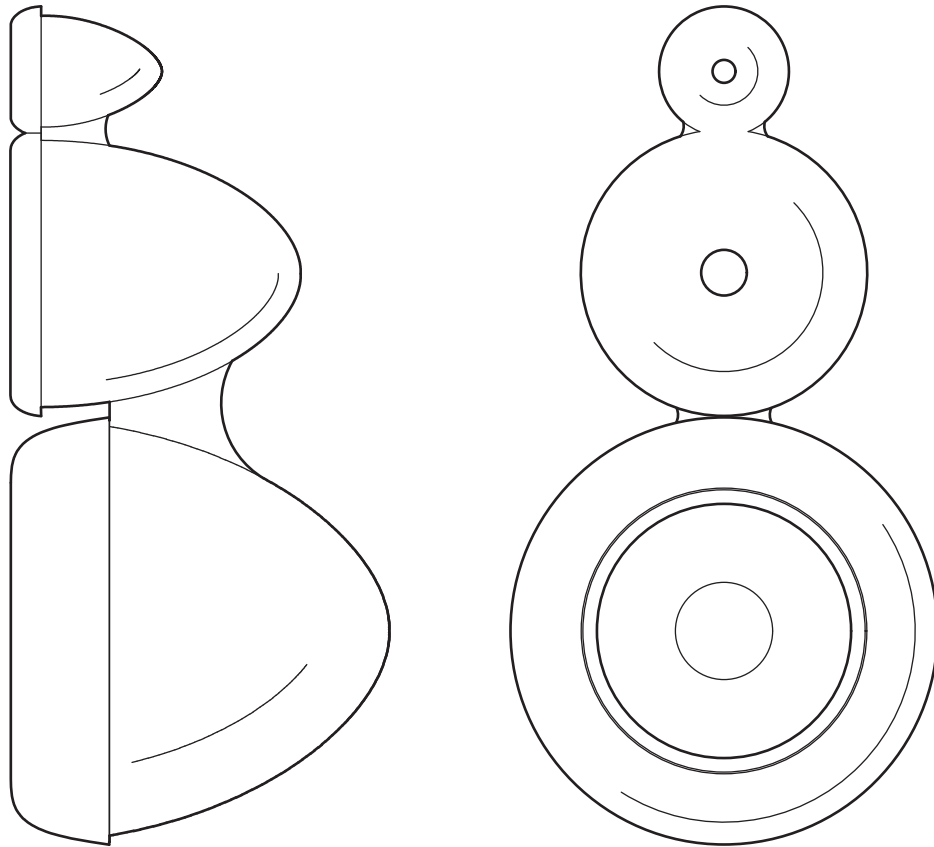


Kona Storm 6.1

Three way horn loaded passive system



User Guide

Kona Storm 6.1

Three way horn loaded passive system

Index

- 1 Technical Specifications
- 2 Unpacking and Checking
- 3 Cables and Set-up
- 4 Installation and System Design
- 5 Accessories
- 6 Maintenance and Surface Protection
- 7 Warranty
- 8 Authenticity



1: Technical Specifications

Kona 6.1 is a three-way passive horn-loaded system with extended low frequency direct emission components. Main use is as DJ Monitor, as when coupled to a subwoofer such as our Ovoid 18.

Professional HI-PRO system designed to seamlessly integrate with dedicated transducers, built from high resistance composite materials for elevated sensitivity, dynamics and definition. Wide angle coverage of a highly controlled sound field, and the ability to reach high levels without perceptible distortion.

The system is characterized by high-end audio quality and is able to reach elevated sound pressures. A pair of full-frontal horns manage the high-mid frequency range.

The high range horn is characterized by a special high-end derivation design. The long and complex development allows for a wide dispersion without compromising a powerful sonic loading.

The mid-horn has a unique design that creates an extraordinary efficiency and sensitivity. This allows for excellent dynamics that distinguish the entire system from the first listen. The extended low frequency direct emission component is characterized by a light structure with a highly resistant ovoid shell containing a 12" woofer with a range of 100-500 Hz and high sensitivity. The 12" LF driver features a water resistant cone.

Components such as the speakers, woofers and compression drivers all represent world class quality, without commercial or technological compromises. Thanks to its elevated sensitivity, the system requires limited amplification power.

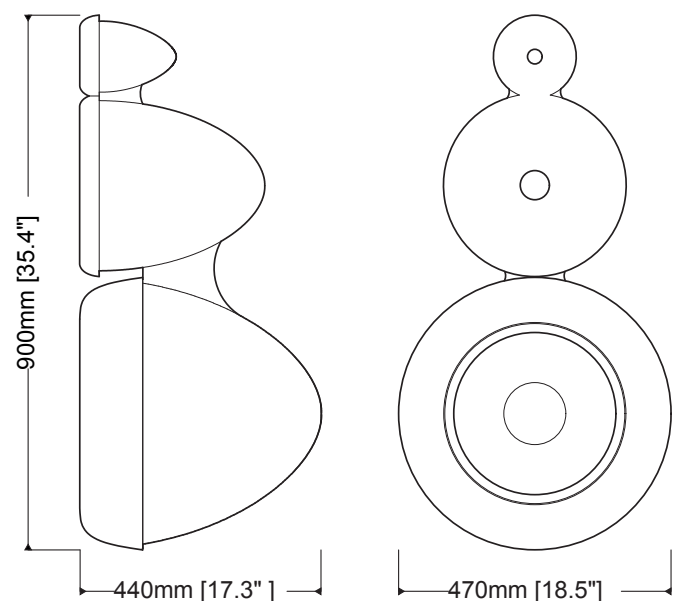
The Kona 6.1 system is manageable through a dedicated specific passive crossover filter for the best performance. There are 2 crossover options:

- High Power cod. XHPKO: when really high power is the main necessity, eg. Kona used as PA system
- High End Quality cod. XHEQKO: when using Kona close to the listener, eg. as monitor

The Full Fat audio FFA 6000 (+ external DSP) is the recommended 2 channel amplifier for this system.

The Kona requires a sub woofer to be a full range system

TYPE	Three way passive horn loaded with extended low frequency direct emission component
FREQUENCY RESPONSE	100 Hz - 18 KHz
TOTAL SENSITIVITY	100 dB 1W/m with passive crossover 100 dB 1W/m for mid-high
LOW FREQUENCIES	12" Low woofer, 8 Ohm 400 W nominal 800 W peak
MEDIUM FREQUENCIES	2" (50 mm) MF compression driver, 8 Ohm 80 W nominal 160 W peak
HIGH FREQUENCIES	1" (25 mm) HF compression driver, 8 Ohm 70 W nominal 140 W peak
NOMINAL IMPEDANCE	4 Ohm with 3-way passive crossover
POWER HANDLING	1000 W 4 Ohm with amplifier @ 2 Ohm stable
MANAGEMENT	2 ch. amplifier for each pair of Kona loudspeakers (passive crossover provided) + DSP to match to sub. High pass filter @100 Hz, 24 dB/Oct. LR
RECOMMENDED AMPLIFIER	Full Fat Audio FFA 6000 with external DSP to match to subwoofer
DISPERSION	60° horizontal, 60° vertical
CONSTRUCTION MATERIALS	Fiber-reinforced composite, stainless steel
FINISH	Any RAL color and texture on order
PROTECTIVE GRILLES	Stainless steel grille standard on 12" mid-low speaker
CONNECTORS	1x Neutrik NL8FC or custom preference
DIMENSIONS (with support)	(W) 470 mm (H) 900 mm (D) 440 mm (W) 18,5 inch (H) 35,4 inch (D) 17,3 inch
WEIGHT	20 Kg (44 lb)



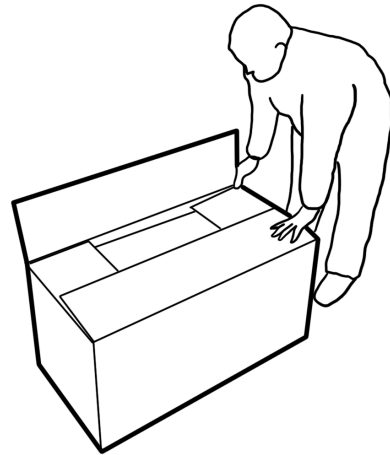
2: Unboxing

The Kona Storm system, like every other Pequod product, is built with high standards of control and quality. At the end of the production process and before packaging, each system is tested: acoustically measured and recorded in our company database. For each Kona serial number, we have the related test files recorded in the archive. Before being packed in its box we complete an inspection of surfaces and structures. Units are packed into wooden crates or heavy cardboard boxes with internal foam padding before shipping.

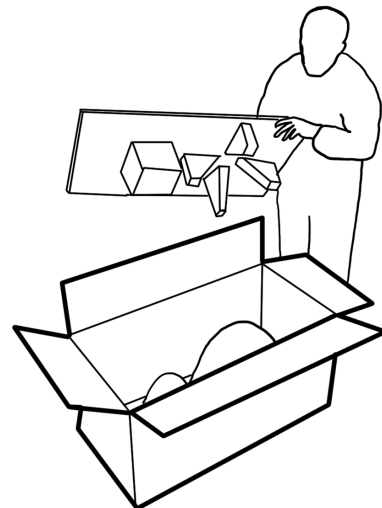
Extraction from box:

The Kona weighs 20 kg each, and is taken from the box simply following the steps shown here.

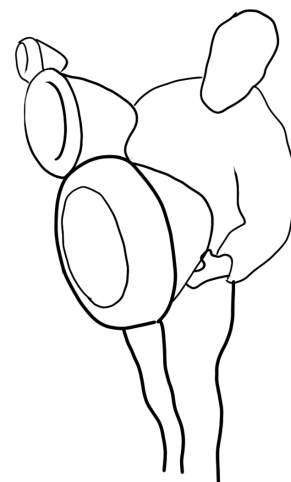
Keep the packaging for further storage or transportation, unless units are to be permanently installed.



1: Carefully cut tape and open cardboard box



2: Remove packing materials and save for re-use



3: Lift speaker body with both hands when ready

3: Cables and Setup

The Kona receives input from a female NL8 connector. By means of a dedicated cable terminated with 2 male NL8Fc connectors it is connected to its passive crossover. This crossover is usually boxed. In our catalogue there are 3 box types (also equipped with a female NL8 output for connection with the aforementioned dedicated cable): standard box (cod STBOXKO), metal rack box (cod RBOXKO), or weatherproof box in composite (cod WPBOXKO). The connectors are standard NL8 or water proof on request. The specific connection cable Pequod (code CAB03KO), which can be ordered for the product, is made of high quality OF copper, conductor section 2.5 mmq with a standard length of 3 m, and is suitable when the Crossover box is near the Kona. Other lengths are provided upon request. In case of custom realization by the installer of the connection cables, we recommend specifying installation grade Low Smoke Zero Halogen (LSZH) cables for permanent installations. The cables should use Oxygen Free Copper (OFC) of grade C11000 or above.

For distances of more than 15 meters between Kona and crossover we recommend increasing the section of the cable poles to 4 mmq, to avoid excessive emission level losses.

Connection Schemes:

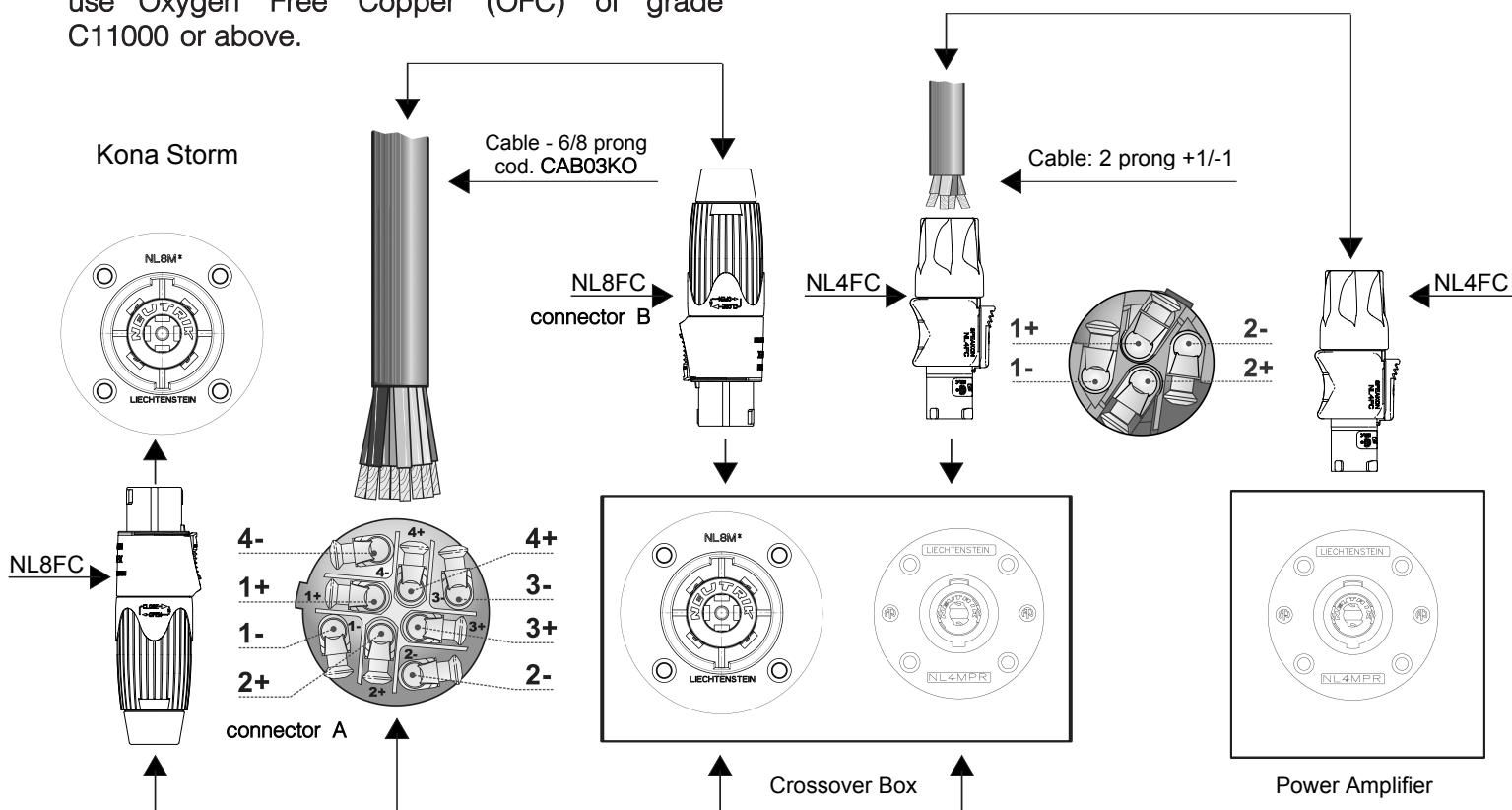
1) Cable between Kona and crossover:

8-pole cable and number 2 connectors (A and B) NL8Fc (do not connect terminals 1+ 1-). Connection of the cable poles between the 2 connectors, according to the following diagram, where each wire connects corresponding numbers on connector A and connector B, used to terminate the cable itself.

2) Cable between crossover and amp (not supplied):

2-pole cable (2.5 mmq minimum section per pole up to a cable length of 15 m, in addition we recommend switching to 4 mmq per pole), terminated with NL4Fc male connector (+ 1 / -1 connected, + 2 / -2 empty) to connect to the crossover box, which has a female NL4fc input connector.

Below: Connection diagram



3: Cables and setup (cont.)

DSP general settings:

*1) Kona: High-pass filter @ 100Hz, 24 dB/oct. LR.

*2) Subwoofer

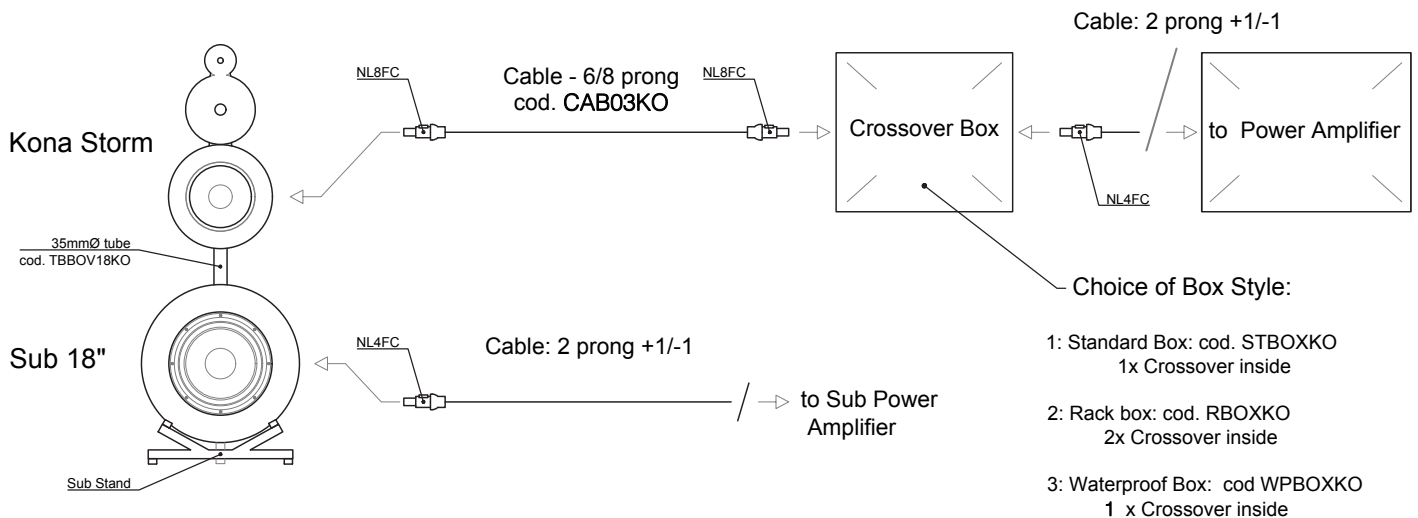
Band pass:

High-pass filter @ 25Hz, 24 dB/oct. But

Low pass filter @ 100Hz, 24 dB/oct. LR

Gain and Time Alignment : it depends on Subwoofer utilized

Cables: Standard Configuration with 18" Ovoid Sub



4: Installation and System Design (DJ Monitor)

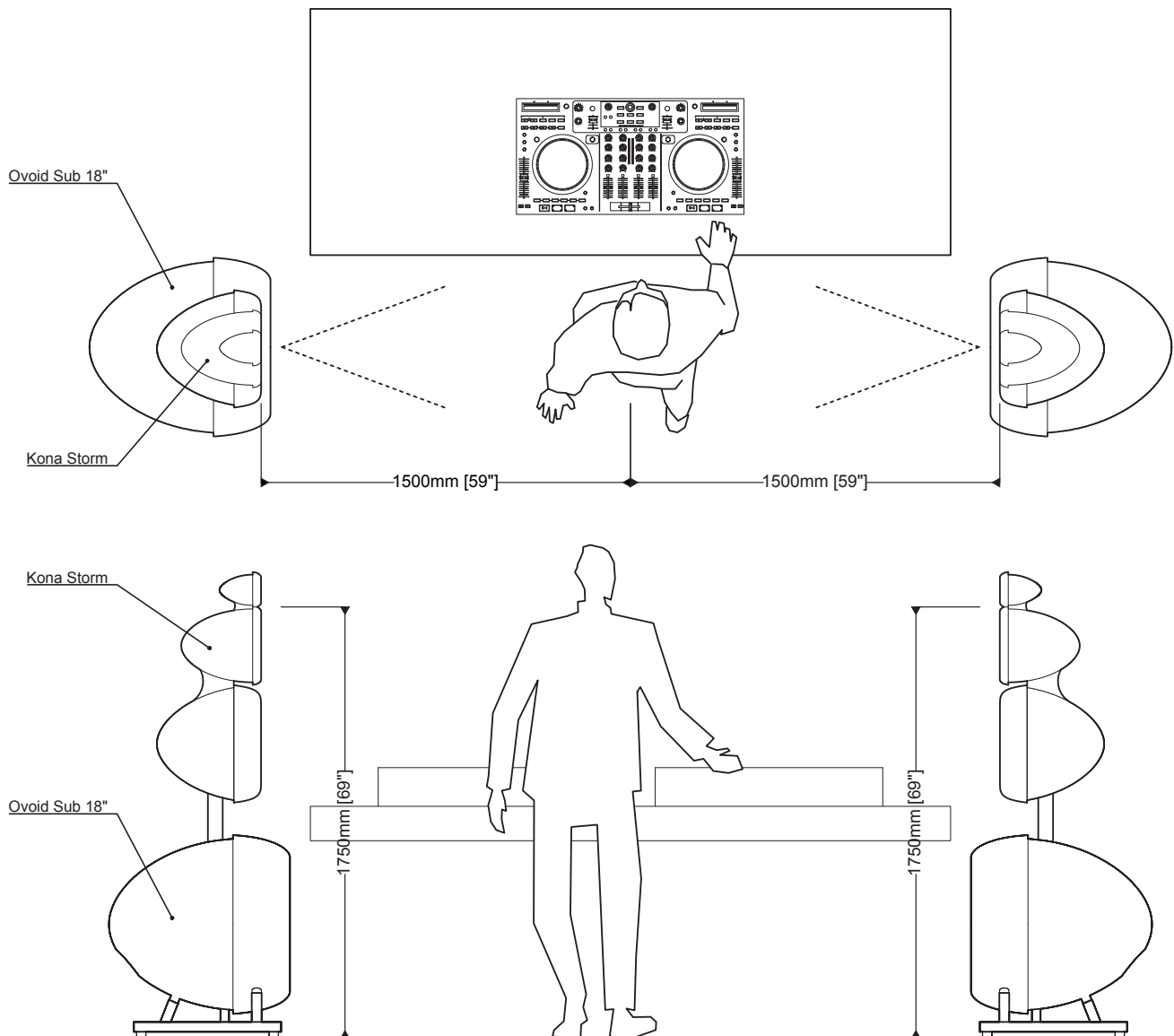
The Kona can typically be used as a professional DJ monitor, as a front studio monitor, or as a very high quality system in listening areas, such as a smaller dance floor or for a live concert audience. In some cases it is necessary to use suitable subwoofers (Ovoid or Hydra available from the Pequod catalog) to have a full range system.

For on-stage installation as a monitor, the recommended heights and distances are visible in the

diagram below.

The Kona must be oriented towards the DJ's head, with a minimum recommended distance of 1.5m.

In height, the ideal outgoing axis, placed at the intersection between the hf horn and mid horn, must be approximately 1.75 m from the ground.

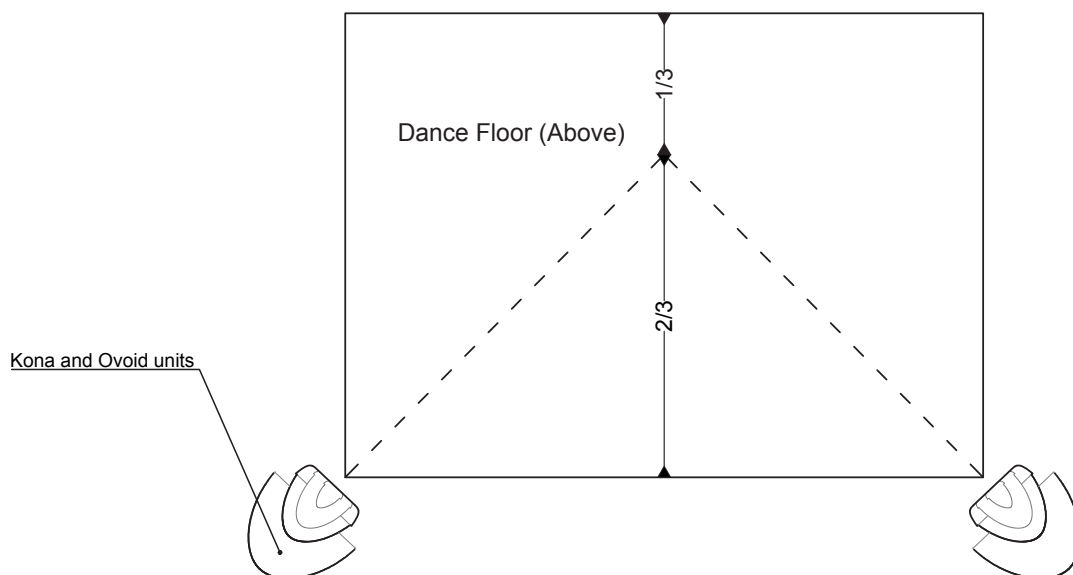
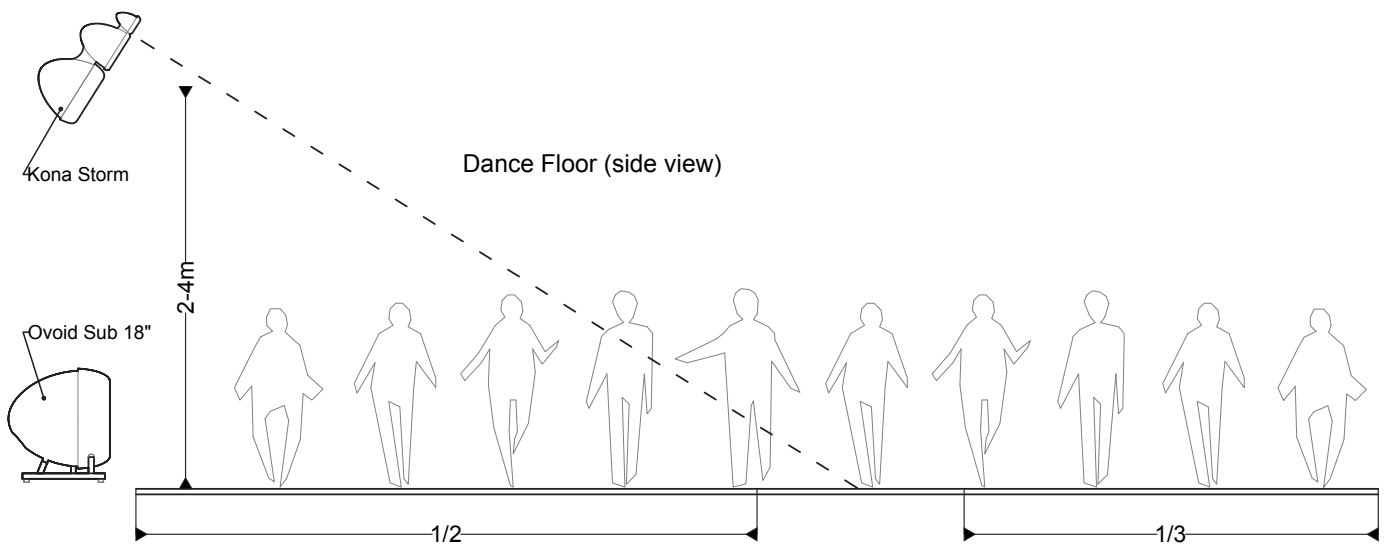


4: Installation and System Design (For Audience)

For the installation of the Kona facing an audience, it is necessary to take into account that optimal acoustic coverage is obtained by lifting the kona 2-4 m from the ground in the vertical plane, tilting them towards the audience, so that the ideal outgoing axis, placed at the intersection between the hf horn and mid horn, are oriented in an area located between $1/2$ and $2/3$ of the depth of the area to be soundtracked (dance floor or audience).

On the horizontal plane it is also necessary to orient the ideal axis coming out of the Kona in an area that is located approximately $2/3$ of the depth of the area to be covered, on the center line of the area itself.

Refer to the following diagrams:



5: Accessories

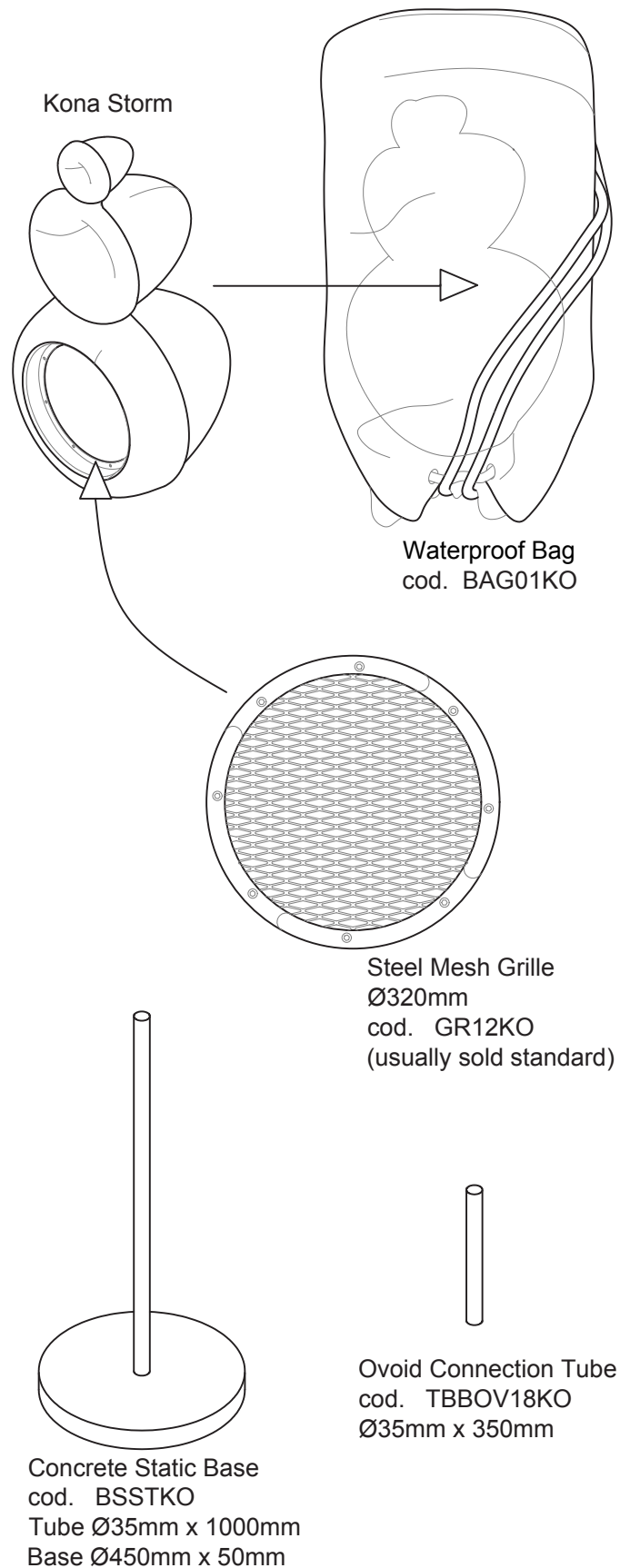
Accessories are available to complete the experience of the Pequod Kona Storm system:

Cod. BAG01KO: **Protective PVC Bag** sized for Kona Storm system, waterproof soft finish to protect from scratches and weather

Cod. GR12KO: **Front Protection Grille** of the 12 woofer, made of stainless steel. Usually included as standard component in most orders, delete option is available when protection is not needed (installation at ceiling height, for example)

Cod. BSSTKO: **Stand with Concrete Base** with logo and stainless steel 35mm tube for supporting a freestanding Kona system without Ovoid sub

Cod. TBBOV18KO: **Ovoid Connection Pipe** in stainless steel diameter 35 mm, length 350mm suitable for coupling above the sub Ovoid 18 system. Other lengths available on demand



6: Maintenance and Surface Protection

All Pequod units are built from a unique high quality composite material which is inert to atmospheric agents and requires minimal regular maintenance, just a simple cleaning of the surfaces with a soft cloth dampened with alcohol.

For best practice in long term care of the composite components, and to obtain or restore a truly professional level of surface finish, we recommend using the 3M "Perfect It™" line of Gelcoat cleaners and protective waxes (above right).

Follow the instructions provided to ensure the best possible finish for your Pequod composite speaker bodies and accessories.

Many installations require Stainless Steel support structures or armatures to complete mounting and assembly of different Pequod units. For these components, we recommend cleaning with 3M™ Stainless Steel Cleaner and Polish (right).



7: Warranty

Pequod Acoustics offers a guarantee to the original owner (person or company who purchased the product brand new) of each new Pequod product (provided it was purchased direct from Pequod or through a Pequod Acoustics Authorised Dealer/Distributor) that it is free of defects in materials and workmanship and that each product was tested in factory to meet or exceed all specifications declared. Each model has a test file recorded in our database, related to its serial number.

The period of limited warranty is three (3) years from the date of delivery to the original purchaser (as shown on the original invoice or sales receipt; a copy may be required as proof of warranty dates)

Pequod Acoustics will repair or replace (at its discretion) all defective parts at no charge for labour or materials; subject to following provisions:

Pequod Acoustics shall take no responsibility for repair or replacement under this warranty if:

- a) The damaged product has been subject to misuse, accident, neglect or failure to comply with normal maintenance procedures
- b) There are improper alterations or unauthorised parts or repairs.
- c) The serial number has been altered, defaced or removed and the original owner won't be able to give information related to our Anti-counterfeit authentication system (see below, section 8)

Pequod Acoustics will remedy any defect, regardless of the reason for failure (except as excluded above) by repair or replacement. Pequod Acoustics will ship the product within a reasonable time after receipt of the defective product at a Pequod Acoustics Authorised Service Centre.

How to obtain service under warranty:

If a Pequod Acoustics product requires service, the original owner must contact the Pequod Acoustics dealer who supplied the product, to receive our Re-

turn Authorisation Code (RA code), and instructions on how to return the product to the Pequod Authorised Service Centre, or to Pequod Acoustics.

The original owner must give information about:

- Problems with the product
- Serial number
- Original invoice or sales receipt
- Anti-counterfeit system (see section 8)

After receiving the RA code the owner can pack the unit in the original factory packaging if possible. Please include a note describing the problem packed together with the product. Do not send it separately.

All products being returned to the factory or service centre for repairs must be shipped prepaid. Ensure safe transportation of your unit to the authorised service centre

Pequod Acoustics (or an Authorised Service Centre) will initiate corrective repairs upon receipt of the returned product, in order to complete the repairs and ship back the product within a reasonable amount of time.

If the repairs made by Pequod or a Pequod Authorised Service Centre are not satisfactory to the owner, they are instructed to give written notice to Pequod.

The original owner is not entitled to recover from Pequod any incidental damages resulting from any defect in the Pequod product. This includes any damage to another product or products resulting from such a defect.

The warranty is not extended by the length of time which the owner is not engaged in active use of the product. Repairs and replacement parts provided pursuant to the warranty will be covered only by the non-expired portion of the warranty.

8: Authentication and Anti-Counterfeiting Measures

Each product by Pequod Acoustics is carefully hand made using high quality components that are, by themselves, difficult to replicate. But we also protect our products using special marks on the inside and outside, which are unique and serve to authenticate original Pequod products.

Thus, each individual product has a special mark, placed in a unique position. For each product (each serial number) we keep a record of the exact position where we placed this mark.

When warranty claims are made, or other requests that require authentication of an individual Pequod product, we will ask the owner to provide a description of the identifying marker as a further proof of originality.