
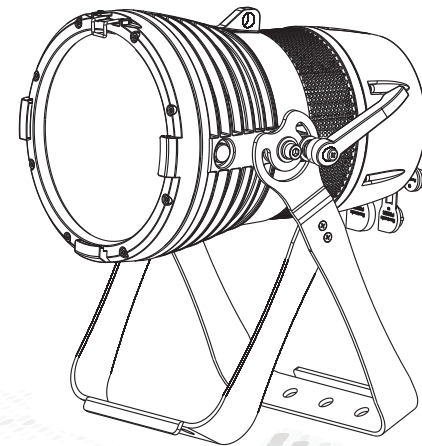


# AURORA 150 HEX

## USER MANUAL

 <sup>®</sup> AURORA 150 HEX  
SS820



**MODEL:SS820XHM**



广州市雅江光电设备有限公司

Guangzhou Yajiang Photoelectric Equipment Ltd.

电话/Tel : 020-86947788 邮箱/E-mail : sales@yajiang.cn

传真/Fax : 020-86943773 网址/Website : www.yajiang.cn

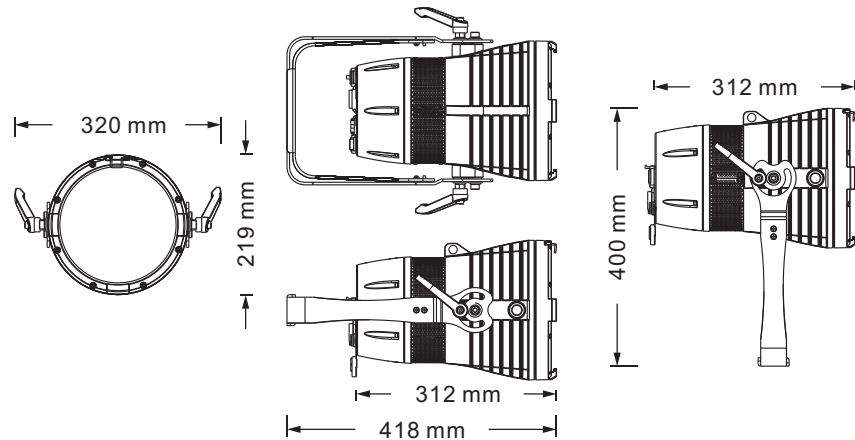
— Since 1985 —

RD-SS820-SM-02(SS-1)

# 1 Product specifications

## 1.1 Technical specifications

Product Code	SS820XHM
Dimension	320 × 418 × 219(mm)
Weight	6.5KG
Rated Power	143W
Input Voltage	AC100~240V
Frequency Range	50/60Hz
Ambient Temperature	-20°C~45°C
Beam angle	16° /25°
Control Model	DMX512/RDM



HSIC (CH7)	Value	Function
CH.1	0-255	INTENSIYT
CH.2	0-255	HUE
CH.3	0-255	HUE FINE
CH.4	0-255	SATURATION
CH.5	<b>CCT</b>	
	0-10	NO FUNCTION
	11-28	1800K
	29-46	2200K
	47-64	2700K
	65-82	3000K
	83-100	3200K
	101-118	3500K
	119-136	4000K
	137-154	4200K
	155-172	4500K
	173-190	5600K
	191-208	6000K
	209-226	6500K
227-244	7200K	
245-255	8000K	
CH.6	<b>STROBE</b>	
	0-9	NO FUNCTION
	10-99	STROBE FROM (SLOW TO FAST ,0-25Hz)
	100-109	NO FUNCTION
	110-179	LIGHTNING STROBE
	180-189	NO FUNCTION
190-255	RANDOM STROBE	
CH.7	<b>DIMMER SPEED</b>	
	0-9	NO FUNCTION
	10-29	OFF
	30-69	DIM1
	70-129	DIM2
	130-189	DIM3
190-255	DIM4	

Basic (CH3)	CLR (CH6)	SSP (CH9)	TOUR (CH13)	TR16 (CH20)	Value	Function
					71-80	AUTO4
					81-90	AUTO5
					91-100	AUTO6
					101-110	AUTO7
					111-120	AUTO8
					121-130	AUTO9
					131-140	AUTO10
					141-150	PROGRAM1
					151-160	PROGRAM2
					161-170	PROGRAM3
					171-180	PROGRAM4
					181-190	PROGRAM5
					191-200	PROGRAM6
					201-210	PROGRAM7
					211-220	PROGRAM8
					221-230	PROGRAM9
					231-255	PROGRAM10
			CH.11	CH.18	0-255	AUTO SPEED ADJUSTMENT
					<b>EFFECT OF CENTER STROBE</b>	
					0-9	NO FUNCTION
					10-99	STROBE FROM ( SLOD TO FAST , 0-25Hz )
		CH.8	CH.12	CH.19	100-109	NO FUNCTION
					110-179	LIGHTNING STROBE
					180-189	NO FUNCTION
					190-255	RANDOM STROBE
					<b>DIMMER SPEED</b>	
					0-9	NO FUNCTION (Default: DIM4 )
					10-29	OFF
		CH.9	CH.13	CH.20	30-69	DIM1
					70-129	DIM2
					130-189	DIM3
					190-255	DIM4

## 1.2 Safety warning

### IMPORTANT

Always read the user manual before operation.  
Please confirm that the power supply stated on the product is the same as the mains power supply in your area.

- This product must be installed by a qualified professional.
- Always operate the equipment as described in the user manual.
- A minimum distance of 0.5m must be maintained between the equipment and combustible surface.
- The product must always be placed in a well ventilated area.
- Always make sure that the equipment is installed securely.
- Do not stand close to the equipment and stare directly into the LED light source.
- Always disconnect the power supply before attempting and maintenance.
- Always make sure that the supporting structure is solid and can support the combined weight of the products.
- The earth wire must always be connected to the ground.
- Do not touch the power cables if your hands are wet.

### ATTENTION



- This product left the place of manufacture in perfect condition. In order to maintain this condition and for safe operation, the user must always follow the instructions and safety warnings described in this user manual.
- Avoid shaking or strong impacts to any part of the equipment.
- Make sure that all parts of the equipment are kept clean and free of dust.
- Always make sure that the power connections are connected correct and secure.
- If there is any malfunction of the equipment, contact your distributor immediately.
- When transferring the product, it is advisable to use the original packaging in which the product left the factory.
- Shields, lenses or ultraviolet screens shall be changed if they have become damaged to such an extent that their effectiveness is impaired.
- The lamp (LED) shall be changed if it has become damaged or thermally deformed.



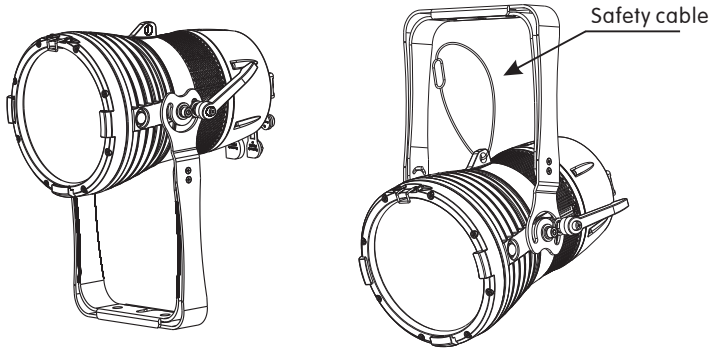
**Caution, risk of electric shock**  
The light source contained in this luminaire shall only be replaced by the manufacturer or his service agent or a similar qualified person.

## 2 Installation

### 2.1 Mounting

The fixture can be mounted in any position.  
Always ensure that mounting surface can withstand 10 times the weight of the fixture.

Always use a safety cable when mounting the fixture in any elevated position.



**UPRIGHT**

**HANGING**

- Important safety note!!
- Always use safety cable when installing this unit!!
- Be sure that the safety cable is connected to a solid load-bearing structure.

Basic (CH3)	CLR (CH6)	SSP (CH9)	TOUR (CH13)	TR16 (CH20)	Value	Function
					141-150	R3314
					151-160	L101
					161-170	L768
					171-255	NO FUNCTION
					<b>CCT</b>	
					<b>COLOR MARCOS</b>	
					0-10	NO FUNCTION
					11-30	RED 100% / GREEN UP / BLUE 0%
					31-50	RED DOWN / GREEN 100% / BLUE 0%
					51-70	RED 0% / GREEN 100% / BLUE UP
					71-90	RED 0% / GREEN DOWN / BLUE 100%
					91-110	RED UP / GREEN 0% / BLUE 100%
					111-130	RED 100% / GREEN 0% / BLUE DOWN
					131-150	RED 100% / GREEN UP / BLUE UP
					151-170	RED DOWN / GREEN DOWN / BLUE 100%
					171-195	ALL LED AT FULL OUTPUT
					196-199	1800K
					200-203	2200K
					204-207	2700K
					208-211	3000K
					212-215	3200K
					216-219	3500K
					220-223	4000K
					224-227	4200K
					228-231	4500K
					232-235	5600K
					236-239	6000K
					240-243	6500K
					244-247	7200K
					248-255	8000K
					<b>AUTO</b>	
					0-40	NO FUNCTION
					41-50	AUTO1
					51-60	AUTO2
					61-70	AUTO3

# 4 Using a DMX512 Controller

## 4.1 Channel Assignment

Note: this product have DMX512 channel configuration: [ Basic ]、[ CLR ]、[ SSP ]、[ TOUR ]、[ TR16 ]、[ HSC ] .

Basic (CH3)	CLR (CH6)	SSP (CH9)	TOUR (CH13)	TR16 (CH20)	Value	Function
CH.1		CH.1	CH.1	CH.1	0-255	DIMMER
				CH.2	0-255	DIMMER FINE
	CH.1	CH.2	CH.2	CH.3	0-255	RED
				CH.4	0-255	RED FINE
	CH.2	CH.3	CH.3	CH.5	0-255	GREEN
				CH.6	0-255	GREEN FINE
	CH.3	CH.4	CH.4	CH.7	0-255	BLUE
				CH.8	0-255	BLUE FINE
	CH.4	CH.5	CH.5	CH.9	0-255	AMBER
				CH.10	0-255	AMBER FINE
	CH.5	CH.6	CH.6	CH.11	0-255	LIME
				CH.12	0-255	LIME FINE
	CH.6	CH.7	CH.7	CH.13	0-255	CYAN
				CH.14	0-255	CYAN FINE
CH.2			CH.8	CH.15	<b>PRESET COLOR</b>	
					0-11	NO FUNCTION
					11-20	L106
					21-30	R05
					31-40	L194
					41-50	R54
					51-60	L019
					61-70	R08
					71-80	R89
					81-90	R86
					91-100	L213
					101-110	R377
					111-120	R80
					121-130	L202
131-140	L328					

## 2.2 Power connections

This product uses input and output power cable is 1.5 square mm copper wire  
Note:

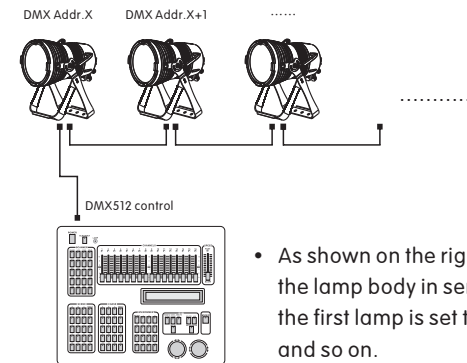
If the signal cable is over 60m between the DMX512 controller and fixture or between two fixtures, then a DMX signal amplifier is needed as well.

## 2.3 The control station setting of connecting DMX512

The DMX console and the lamp body are connected in series.

Because the Std.P MODE is five channels, the address code of the lamp increases by 5 times such as(1,6,11,16···),also each it can be reused as needed.

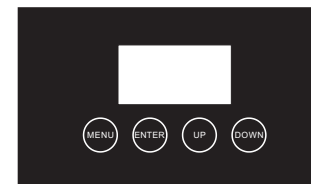
The DMX address code can be any value between 001and 512.



- As shown on the right, the controller is connected to the lamp body in series, the DMX address code for the first lamp is set to 1, and second unit is set to 6, and so on.

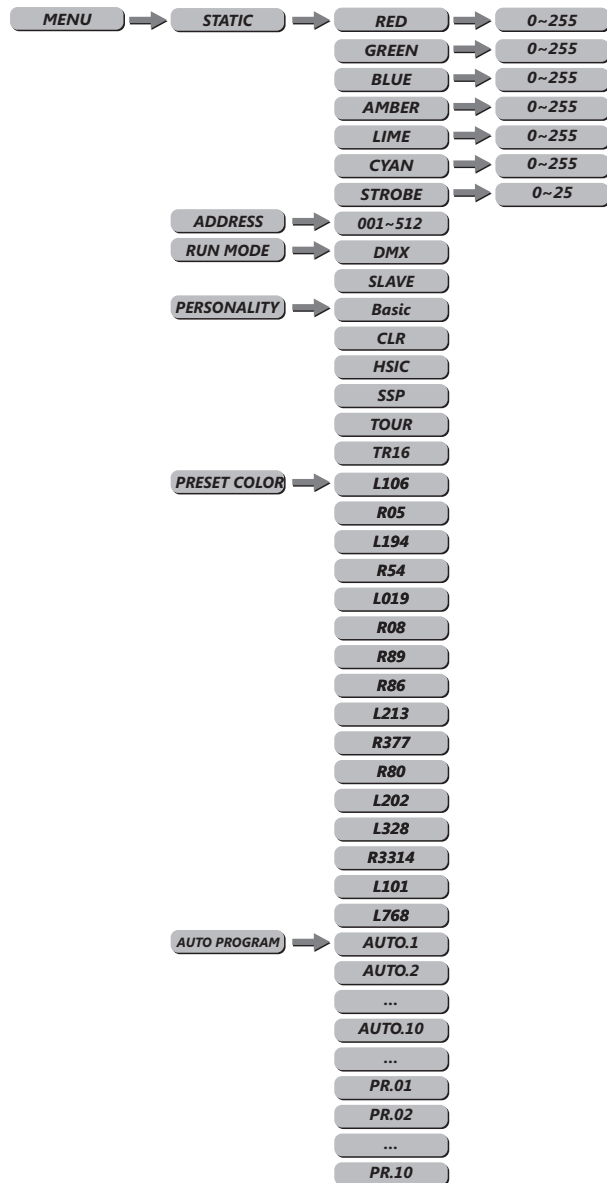
# 3 Display panel operation

## 3.1 Display operation

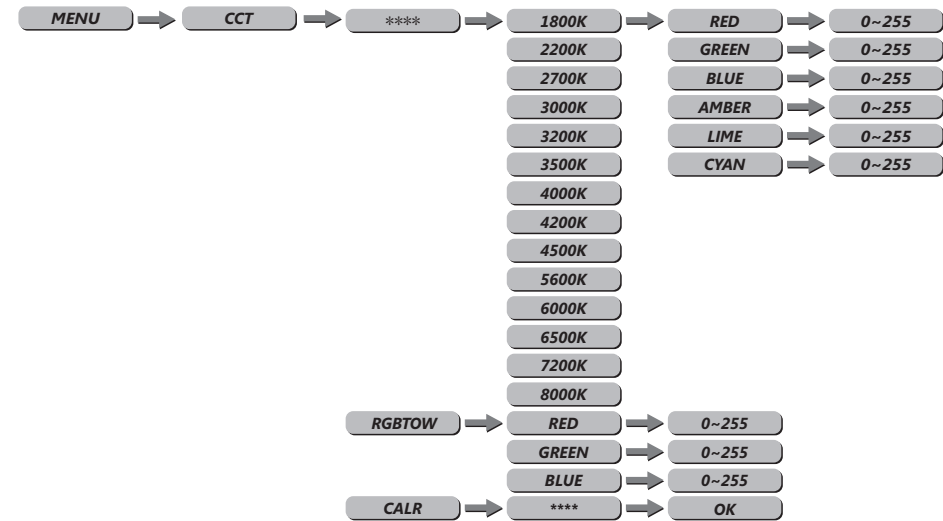


- MENU: Menu/Back.
- ENTER: Save
- UP: Direction up
- DOWN: Direction down

## 3.2 Menu



## 3.12 CALIB.CCT



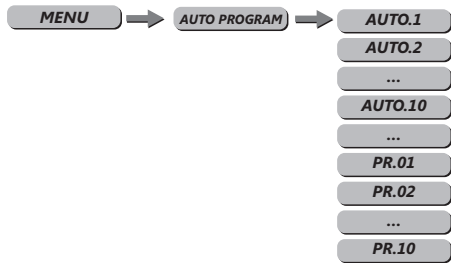
- Enter the [ CALIB.CCT ] to select white color of different color temperature.
- Press [ MENU ] button to enter the password confirmation, to enter the correct password < UP + DOWN + UP + DOWN >  
Key, press the [ MENU ] in, the correct password will enter show submenu
- Enter the [ RGBTOW ] to adjust the RGB parameter to make different whites. When the new setting is activated, the DMX controller choose RGB = 255,255,255, the white color will be made by the actual RGB values on the [ RGBTOW ] .
- Select [ CALR ] press enter, input password<UP+DOWN+UP+DOWN>, if your password correct there will restore default factory Settings.

## 3.13 INFO



- Press [ ENTER ] into [ INFO ] check information, press up and down
- [ VERSION ] is software versions.  
[ RDM ] check fixture's ID.

### 3.10 ACTIVATING AUTO PROGRAMS

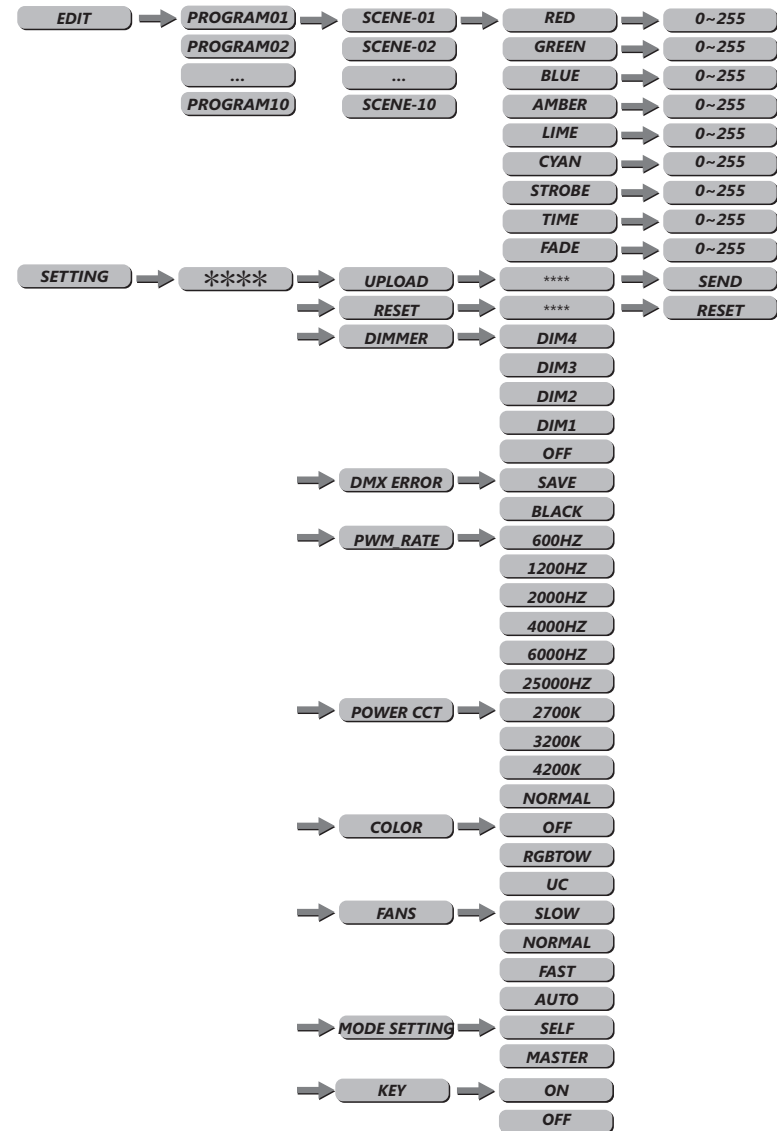


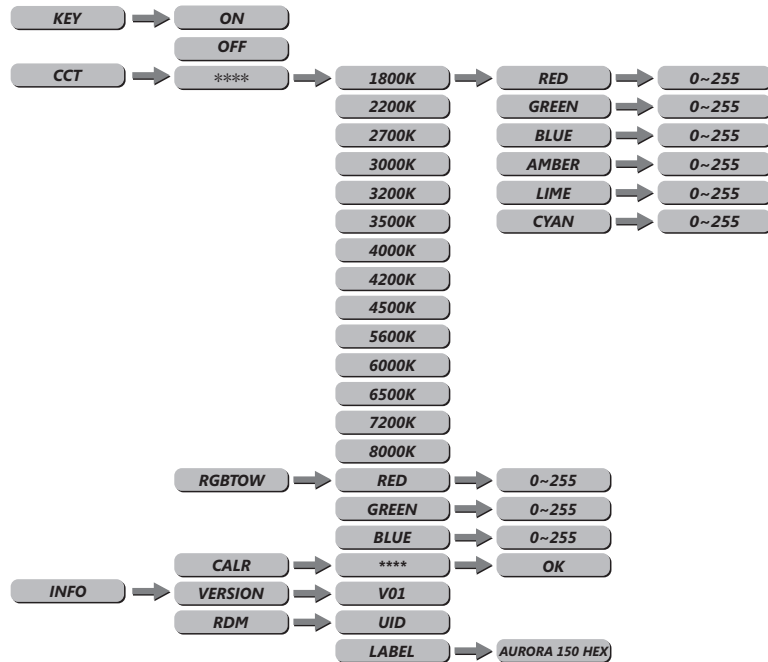
- Select the target [ AUTO PROGRAM ] program and press [ ENTER ] .
- Programs [ AUTO.01 ] to [ AUTO.10 ] are fully pre-programmed and will not be altered by changes in [ EDIT ] mode.
- Programs [ PROGRAM.01 ] to [ PROGRAM.10 ] are fully pre-programmed and can be edited in [ EDIT ] mode.

### 3.11 ACTIVATE THE PASSWORD

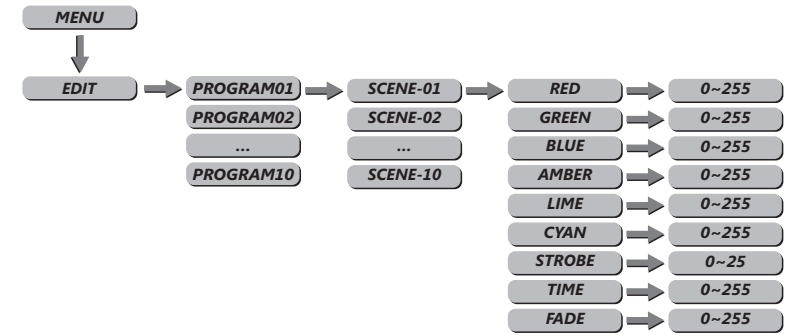


- Enter the [ KEY ] mode to select whether the access password is on or off. When the fixture is set as PASS"ON", after 30 seconds or turn on the fixture next time, the fixture will need an access password to enter the display menu control.  
Note: The factory access password is "UP+DOWN+UP+DOWN", then press ENTER to confirm the access.





### 3.9 Edit

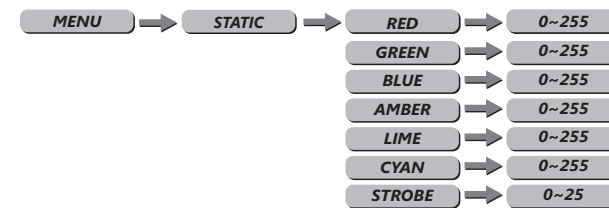


- Enter the [ EDIT ] mode to edit the custom programs PR.01 to PR.10. Each custom program has 10 steps that can be edited. Each step allows the creation of a scene using RED, GREEN, BLUE, LIME, AMBER, LIME, CYAN, STROBE, TIME, FADE.



- **[ SETTING ]** ...this menu allows the user to adjust key operation settings for this fixture.
- Select **[ UPLOAD ]** to upload the custom programs from the current MASTER unit to the SLAVE units.
- **[ RESET ]** RESET the lamp. Enter the password "up down up down " to confirm, and then perform the RESET of the lamp parameters.
- **[ DIMMER ]** is a non-linear DIMMER speed setting, <OFF> is a normal linear dimming, Select [DIM1]、 [DIM2]、 [DIM3] or [DIM4] for different dimming speeds. ([DIM4] is the slowest dimming speed).
- **[ DMX ERROR ]** Choose[SAVE] in order to save the last DMX data incase of DMX signal error.Choose[BLACK] in order to blackout in case of DMX signal error.
- **[ PWM\_RATE ]** is PWM refresh rate bottom, press UP/DOWN to choose <600Hz>、 <1200Hz>、 <2000Hz>、 <4000Hz>、 <6000Hz>、 <25000Hz>.  
Note: Attention: The gray level of dimming will be reduced as the refresh rate increases.
- **[ POWER CCT ]** is the color temperature choose bottom, press UP/DOWN to choose, under full power, <2700K>、 <3200K>、 <4200K>、 <NORMAL>.
- **[ COLOR ]** is for activate/unactivate the color calibration functions.When [RGBW] is selected, on RGB = 255,255,255, the color is displayed as calibrated in RGB TOW -- RGBW. When[COLOR] is set [OFF], on RGB = 255,255,255, the RGBvalues are not adjusted and the output is most powerful.When [UC] is selected, the RGB output are adjusted to a standard preset universal color which balances fixtures from different generations.
- **[ FANS ]** menu, select<Slow/Norm/Fast/Auto>as required fan speed.
- **[ MODE SETTING ]** ...this function allows the user to select whether the fixture will send DMX data to other fixtures during stand-alone operation. The [MAST] setting allows data to be sent to Other fixtures. The [SELF] setting is default and will not send DMX data to other fixtures.

### 3.3 STATIC



- Enter the **[ STATIC ]** mode to create the programs
- Combine RED/ GREEN/BLUE/AMBER/LIME/CYAN/STROBE to create a definite range of colors ,Push up and down buttons adjust 0~255 value,Set value of the STROBE,Push up and down buttons adjust 0~25Hz value
- The static setting will be valid when the fixture is powered again.
- Note:  
When using this function, if the [MODE SETTING] menu is set as [MASTER], then the fixture will transfer the [DIM] values to other fixtures. When DMX data is received at the fixture, it will automatically return to main menu after 2 minutes of no key operation.

### 3.4 DMX Address Setting



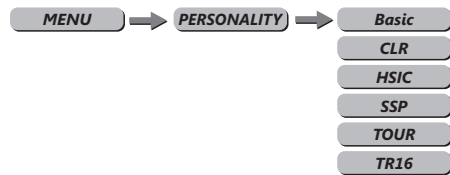
- Enter the **[ DMX ]** mode to set the DMX address.
- Enter Up/Down select **[ 1~512 ]** address.
- Enter **[ MENU ]** return.

### 3.5 RUNMODE



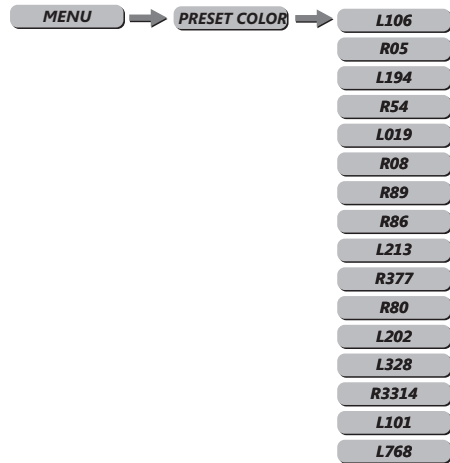
- **[ RUNMODE ]** menu, select required run mode,there are any modes inside: **[ DMX ]** DMX mode, **[ SLAVE ]** SLAVE mode, press Down/Up select mode.
- **[ DMX ]** mode is for using the DMX512 controller to control the fixtures.
- **[ SLAVE ]** mode is for Master -- Slave operation.
- press **[ ENTER ]** accept,press **[ MENU ]** return.

### 3.6 PERSONALITY



- Press enter the menu to do a custom choice on the ‘PERSONALITY’ menu.
- Press UP or DOWN to select [ BASIC ], [ CLR ], [ HSIC ], [ SSP ], [ TOUR ], [ TR16 ], please refer to DMX channel table for the specific channel value .

### 3.7 MIX-COLOR SETTING



- Select [ ENTER ] UP/DOWN From the [ PRESET COLORS ] menu to choose different color mixture.

### 3.8 SETTING

