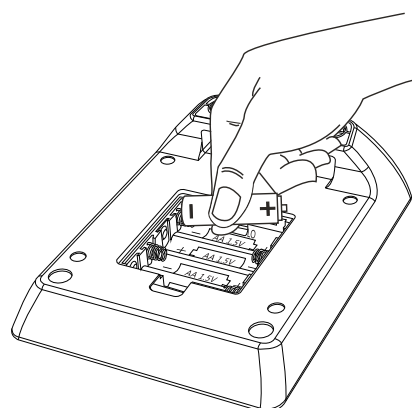
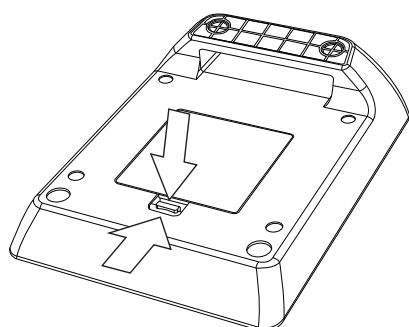


Relacart UD-223 is a desktop gooseneck wireless conference microphone, simple design style, durable metal material, high contrast OLED display, built-in high-pass filter, silent tact switch. It is suitable for various occasions such as government departments and institutions.

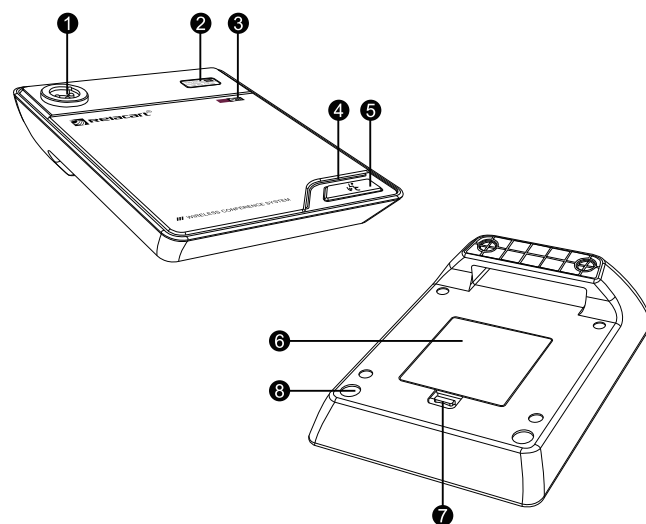
Technical Index

Carrier Frequency Range:	522 MHz ~ 936 MHz
Oscillation Mode:	PLL synthesized
Harmonic Radiation:	<50 dBm
Bandwidth:	134 MHz (It depends on the region)
Max. Deviation:	±45 KHz
RF Output Power:	10 mW
Low Cut Switch:	>200 Hz
Battery:	AAx4
Current Consumption:	180 mA (Typical)
Battery Life:	About 9 hours
Dimensions (mm):	170 (L) x 129 (W) x 49 (H)
Weight:	About 580g (without battery)

Battery Installation Guidance



Product Introduction



- ❶ XLR socket: used to connect a gooseneck microphone as an input port for audio signals.
- ❷ OLED display: displays information such as operating frequency, channel group, battery level, etc.
- ❸ Infrared [iR] window: in the process of infrared synchronization, aiming at the infrared port of the receiver allows the transmitter to synchronize with the receiver.
- ❹ Status LED indicator: green for speaking, orange for mute.
- ❺ Light touch main switch: press to turn on the power, then short press to mute, and press and hold for 3 seconds to turn off the power.
- ❻ Battery compartment: Fill with 2 pcs or 4 pcs of AA batteries. (Install the upper 2 pcs or the lower 2 pcs can be powered on for use, and the working time can be extended when 4 pcs are installed)
- ❼ Battery cover switch: pull this switch to open the battery cover.
- ❽ Anti-slip insulating glue: reduce the impact and vibration on the desktop.

WARNING: DO NOT INSTALL BATTERIES WITH WRONG POLARITY, AS IT MAY DAMAGE INTERNAL ELECTRONIC COMPONENT.