

DIVE 18

DIVE/R 18 RGB



DIVE 18 RGB



User's Manual Rel 1.3 **GB**

D.T.S. Illuminazione srl - ITALY
<http://www.dts-lighting.it>



The Lighting Company

Made in Italy

Le informazioni contenute in questo documento sono state attentamente redatte e controllate. Tuttavia non è assunta alcuna responsabilità per eventuali inesattezze. Tutti i diritti sono riservati e questo documento non può essere copiato, fotocopiato, riprodotto per intero o in parte senza previo consenso scritto della D.T.S .

D.T.S si riserva il diritto di apportare senza preavviso cambiamenti e modifiche estetiche , funzionali o di design a ciascun proprio prodotto. D.T.S non assume alcuna responsabilità sull'uso o sull'applicazione dei prodotti o dei circuiti descritti.

The information contained in this publication has been carefully prepared and checked. However, no responsibility will be taken for any errors. All rights are reserved and this document cannot be copied, photocopied or reproduced, in part or completely, without prior written consent from D.T.S. D.T.S. reserves the right to make any aesthetic, functional or design modifications to any of its products without prior notice. D.T.S. assumes no responsibility for the use or application of the products or circuits described herein.

Les informations contenues dans le présent manuel ont été rédigées et contrôlées avec le plus grand soin. Nous déclinons toutefois toute responsabilité en cas d'éventuelles inexactitudes. Tous droits réservés. Ce document ne peut être copié, photocopié ou reproduit, dans sa totalité ou partiellement, sans le consentement préalable de D.T.S.

D.T.S. se réserve le droit d'apporter toutes modifications et améliorations esthétiques, fonctionnelles ou de design, sans préavis, à chacun de ses produits. D.T.S. décline toute responsabilité sur l'utilisation ou sur l'application des produits ou des circuits décrits.

Las informaciones contenidas en este documento han sido cuidadosamente redactadas y controladas. Con todo, no se asume ninguna responsabilidad por eventuales inexactitudes. Todos los derechos han sido reservados y este documento no puede ser copiado, fotocopiado o reproducido, total o parcialmente, sin previa autorización escrita de D.T.S.

D.T.S. se reserva el derecho a aportar sin previo aviso cambios y modificaciones de carácter estético, funcional o de diseño a cada producto suyo. D.T.S. no se asume responsabilidad de ningún tipo sobre la utilización o sobre la aplicación de los productos o de los circuitos descritos.

DESCRIPTION

DIVE 18 is a compact LED projector fitted with a fixing bracket, designed for underwater installation in fountains, swimming pools, etc.

DIVE 18 is made of bronze and stainless steel, offering an IP68 protection level, and it can be installed at a max depth of 2 m, immersed either in water or sea water. DIVE 18 is a modern alternative to conventional compact light sources, offering a new approach to underwater lighting in terms of light quality, flexibility of use, energy savings and component duration.

DIVE 18 features 18 x 1W P4 LEDs (6 x Red, 6 x Green, 6 x Blue). The even distribution pattern featuring the same quantity of red, green and blue LED's guarantees high mixing quality for colours and a uniform projection on objects and surfaces. Up to 16 million colours can be generated. Luminosity at 2 m, with spot lenses, is 2.500 Lux.

Colour temperature can also be regulated with linear variations between 3200°K and 6500°K, passing progressively from warmer tones to cooler ones. 16 different whites are also selectable by the user.

Three interchangeable lens fittings are available: Spot, Medium Flood and Wide Flood. These three lenses offer different aperture angles for the light beam, always ensuring constantly regular and uniform projection on objects and surfaces. The DIVE 18 can be remotely powered and controlled by two dedicated external power suppliers / controllers: Z60 (up to 10 units) or Z30 (up to 5 units). DIVE 18 units connected to Z60 or Z30 can also be remote-controlled using the USITT DMX 512 standard digital communication protocol.

If you use the DIVE 18 out of water or immersion in not public areas, **ONLY** in this case you can use the Z1 or Z4.

DIVE 18 is available in two models:

DIVE/R 18 (recessed) is compact LED projector designed for underwater **recessed** installation in fountains, swimming pools, etc.

- (03.LP010.T10) DIVE/R 18 RGB P4 NARROW
- (03.LP010.T25) DIVE/R 18 RGB P4 MEDIUM
- (03.LP010.T40) DIVE/R 18 RGB P4 WIDE

DIVE 18 (bracket) is compact LED projector designed for underwater installation in fountains, swimming pools, etc.

- (03.LP002.T10) DIVE 18 RGB P4 NARROW C/STAFFA
- (03.LP002.T25) DIVE 18 RGB P4 MEDIUM C/STAFFA
- (03.LP002.T40) DIVE 18 RGB P4 WIDE C/STAFFA

LED technology

LED technology 18 x 1 W P4 LEDs (6 x Red, 6 x Green, 6 x Blue); 2.500 Lux / 2 m
No infrared emission; no ultraviolet emission; LEDs average lifespan: 100.000 hours

Optical units 3 lenses sets available (Spot, Medium flood, Wide flood)

Control Via any DMX lighting console

Protection IP68 protection level (max immersion depth: 2 m)

For IP68 applications in public areas, the only allowed power supplies are Z60 and Z30.

Construction Bronze and stainless steel

Power suppliers / LED controllers Z60 (max 10 units) or Z30 (max 5 units)

Connection Provided with 5 mt of cable and with a RJ12 connector

Weight 6,3 Kg

ACCESSORIES**Lenses sets**

- Spot (Cod. 02LK046)
- Medium flood (Cod. 02LK047)
- Wide flood (Cod. 02LK048)

Power supply / LED controllers

- Z60 with R12 connectors (Cod. 03.LA.053)
- Z60 with screws connectors (Cod. 03.LA.076)
- Z30 with R12 connectors (Cod. 03.LA.072)
- Z30 with screws connectors (Cod. 03.LA.077)

IR receiver for Z60 / Z30

IR remote control for Z60 / Z30

Connectors / tools • RJ12 6-pole male connector (Cod. 0508B058)

• Crimping tool for RJ connectors (Cod. 0508A036)

Outer case IP65 (Cod. 03.LA.059)

MAIN ELECTRICAL CHARACTERISTICS

Input: Constant current power supply (350-500 mA)

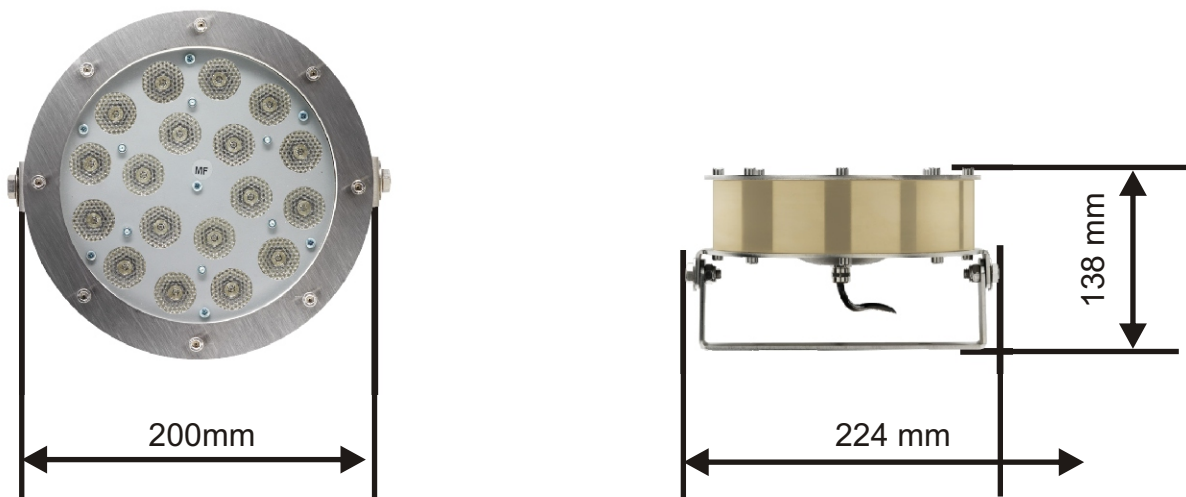
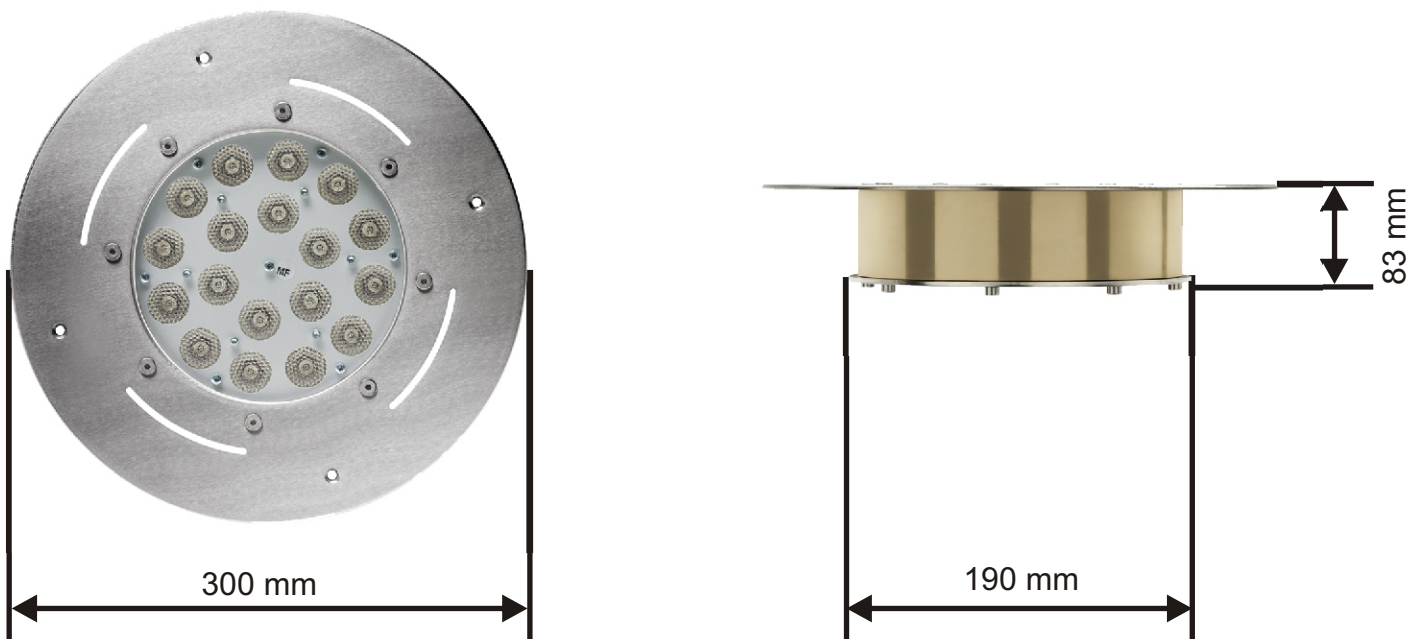
Power Consumption: 18-30 W

Fire prevention:

Never locate the fixture on any flammable surface.
Minimum distance from flammable materials: 10 cm

Safety:

The external surface of the unit may exceed 50°C; never handle the unit until at least 5 minutes have elapsed since the unit was turned off.
The ambient temperature should not exceed 40°C and should not be lower than -10°C

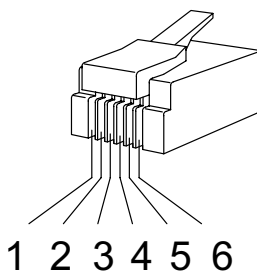
UNIT DIMENSIONS**DIVE 18 RGB****DIVE R 18 RGB**

WIRING DIAGRAM

DIVE 18 LED PROJECTOR is provided with 2 x RJ12 male cable connectors

RJ12 : 6P6C

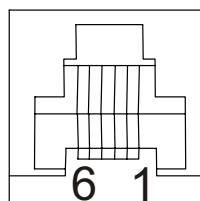
6P6C indicates 6 positions 6 cables



6-pin Male (RJ12)
Modular Plug

Pin 1 = RED +
Pin 2 = RED -
Pin 3 = GREEN +
Pin 4 = GREEN -
Pin 5 = BLUE +
Pin 6 = BLUE -

Power supply LED output connector



6-pin Female (RJ12)

For application where IP68 2m. rating is not necessary, DIVE 18 LED PROJECTOR cabling connection can be done with a standard UTP TIA/EIA 568-B2 category 5E cable.

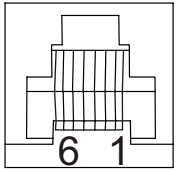
The maximum distance between power supply and the DIVE 18 unit should not exceed 100 meters.

For IP68 2m. rating application, D.T.S. recommended the use of a IP68 cable as the 10XAWG26 multipolar black outdoor cable (D.T.S. Code: 0509C061).

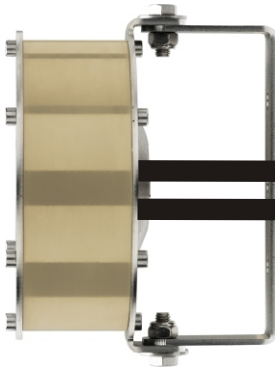
The maximum distance between power supply and the DIVE 18 unit should not exceed 100 meters.

LED UNITS WIRING CONNECTION

03.LA.053 (RJ12 OUTPUT)



6-pin Female (RJ12)



DIVE 18 RGB



DIVE R 18 RGB



DIVE R 18 RGB

LEDs OUT 7

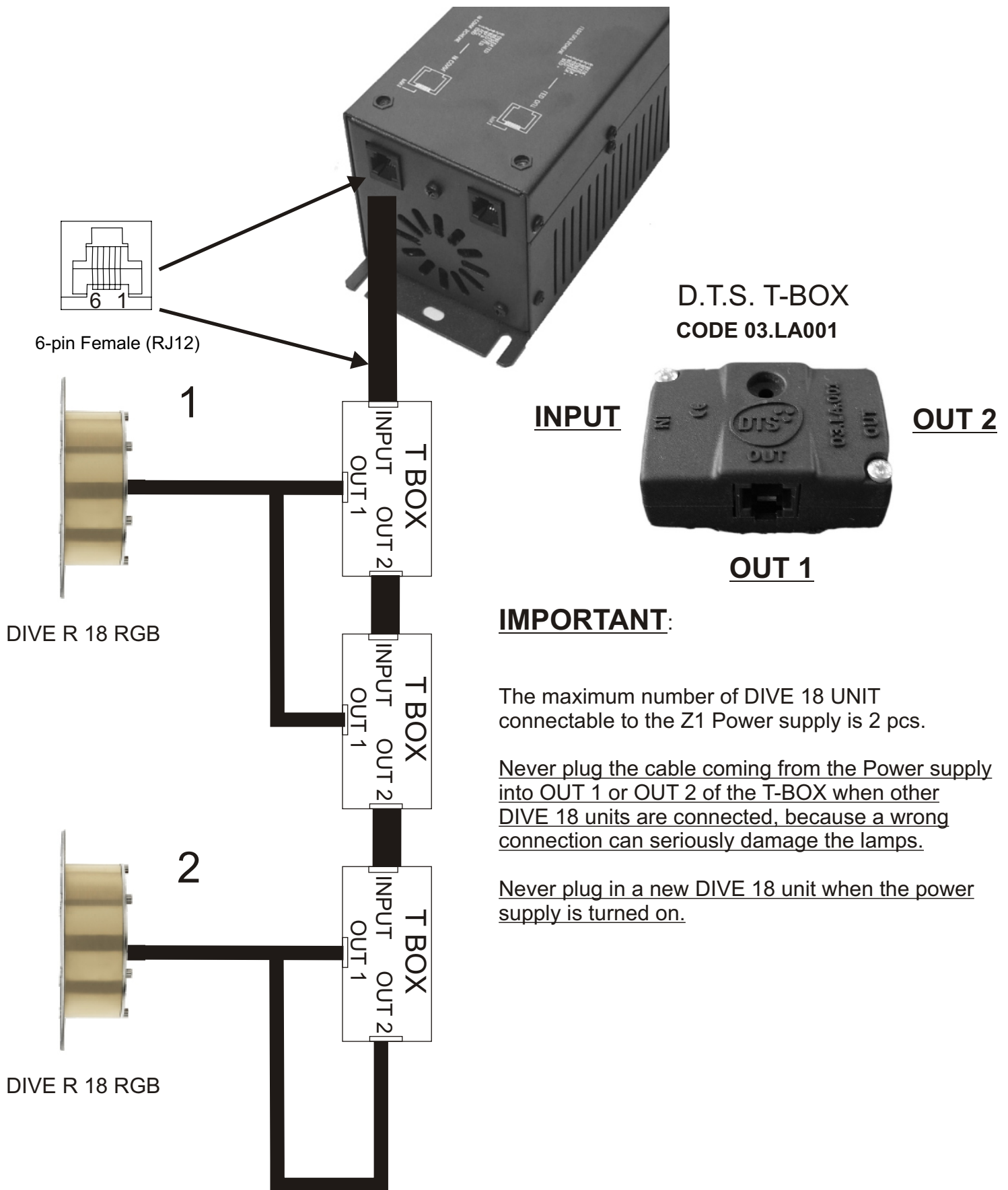
IMPORTANT:

Each DIVE 18 UNIT need 2 x Z60 outputs in order to be properly controlled.

The Total number of DIVE 18 connectable to Z60 is 10 pcs
The Total number of DIVE 18 connectable to Z30 is 5 pcs

Never plug in a new unit when the power supply is turned on.

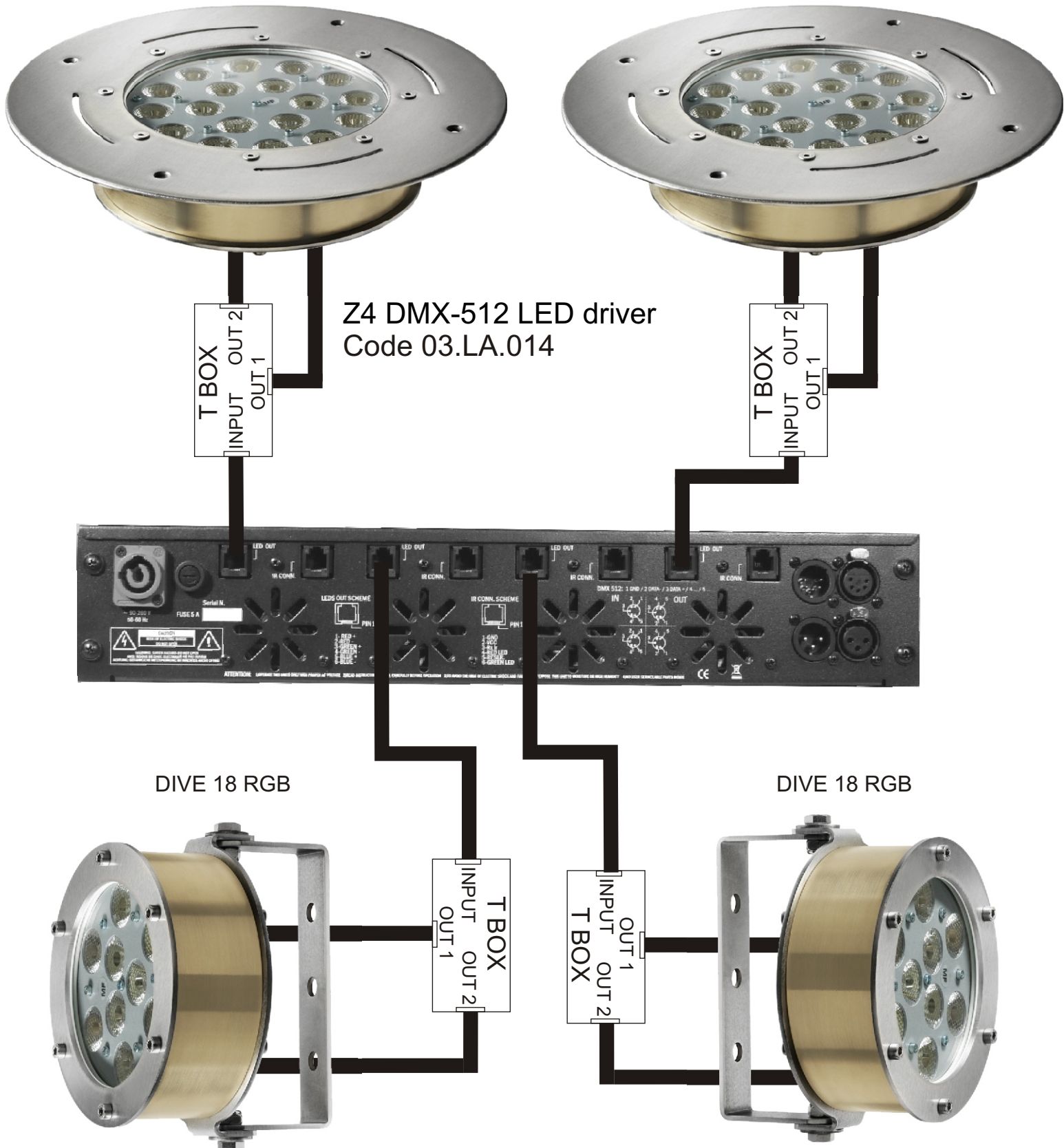
POWER SUPPLY WIRING CONNECTIONS



WIRING CONNECTIONS

DIVE R 18 RGB

DIVE R 18 RGB



IMPORTANT:

The maximum number of DIVE 18 LED PROJECTOR connectable to the Z4 Power supply is 2 pcs each LED output (8 pcs totally).

Never plug in a DIVE 18 unit when the power supply is turned on.

NOTES

NOTES

The information contained in this publication has been carefully prepared and checked. However, no responsibility will be taken for any errors. All rights are reserved and this document cannot be copied, photocopied or reproduced, in part or completely, without prior written consent from D.T.S.

D.T.S. reserves the right to make any aesthetic, functional or design modifications to any of its products without prior notice. D.T.S. assumes no responsibility for the use or application of the products or circuits described herein.

MADE IN ITALY



The Lighting Company

ISO 9001:2000

D.T.S. quality system
is certified to the
ISO 9001:2000 standard



D.T.S. products are designed
and manufactured at the D.T.S.
plants in Italy



05171116