

OWNER MANUAL MANUALE D'USO

C 5212-64

C 5212-66

C 5212-94

C 5212-96

C 5212-99

C 5215-64

C 5215-66

C 5215-94

C 5215-96

C 5215-99

C 7312-64

C 7312-94

C 9315-64

C 9315-94

- NEW 'COMPACT' SERIES
LOUDSPEAKERS
- DIFFUSORI ACUSTICI DELLA
NUOVA SERIE "COMPACT"



TABLE OF CONTENTS INDICE



ENGLISH

SAFETY AND OPERATING PRECAUTIONS	4
DESCRIPTION	6
INSTALLATION	7
CONNECTIONS	10
NOTES ABOUT LOW IMPEDANCE CONNECTIONS	11
SPECIFICATIONS	12
C 5212, C 7312 DIMENSIONS	13
C 5215, C 9315 DIMENSIONS	14

ITALIANO

AVVERTENZE PER LA SICUREZZA	16
DESCRIZIONE	18
INSTALLAZIONE	19
COLLEGAMENTI	22
NOTE SUI SISTEMI CON CONNESSIONE A BASSA IMPEDENZA	23
DATI TECNICI	24
DIMENSIONI C 5212, C 7312	25
DIMENSIONI C 5215, C 9315	26

**IMPORTANT NOTES**

Before connecting and using this product, please read this instruction manual carefully and keep it on hand for future reference. This manual is to be considered an integral part of this product and must accompany it when it changes ownership as a reference for correct installation and use as well as for the safety precautions.

RCF S.p.A. will not assume any responsibility for the incorrect installation and / or use of this product.

WARNING: To prevent the risk of fire or electric shock, never expose this loudspeaker to rain or humidity and also dust.

SAFETY AND OPERATING PRECAUTIONS

1. All the precautions, in particular the safety ones, must be read with special attention, as they provide important information.

2. Loudspeaker lines (amplifier outputs) can have a sufficiently high voltage to involve a risk of electrocution: never install or connect this loudspeaker when amplifiers are switched on.

3. Make sure all connections have been made correctly and the loudspeaker input impedance is suitable for the amplifier output.

4. Protect loudspeaker lines from damage; make sure they are positioned in a way that they cannot be stepped on or crushed by objects.

5. Make sure that no objects or liquids can get into this product, as this may cause a short circuit.

6. Never attempt to carry out any operations, modifications or repairs that are not expressly described in this manual.
Contact your authorized service centre or qualified personnel should any of the following occur:

- The loudspeaker does not function (or works in an anomalous way).
- The cable has been damaged.
- Objects or liquids are inside the loudspeaker.
- The loudspeaker has been damaged due to heavy impacts or fire.

7. Should the loudspeaker emit any strange odours or smoke, remove it from the line after having immediately switched the amplifier off.

8. Do not connect this product to any equipment or accessories not foreseen.

For suspended installation, only use the dedicated anchoring points and do not try to hang this loudspeaker by using elements that are unsuitable or not specific for this purpose.

Also check the suitability of the support surface to which the product is anchored (wall, ceiling, structure, etc.), and the components used for attachment (screw anchors, screws, brackets not supplied by RCF etc.), which must guarantee the security of the system / installation over time, also considering, for example, the mechanical vibrations normally generated by transducers.

9. RCF S.p.A. strongly recommends this product is only installed by professional qualified installers (or specialised firms) who can ensure a correct installation and certify it according to the regulations in force.

The entire audio system must comply with the current standards and regulations regarding electrical systems.

IMPORTANT

10. Mechanical and electrical factors need to be considered when installing a professional audio system (in addition to those which are strictly acoustic, such as sound pressure, angles of coverage, frequency response, etc.).

11. Hearing loss

Exposure to high sound levels can cause permanent hearing loss. The acoustic pressure level that leads to hearing loss is different from person to person and depends on the duration of exposure.

To prevent potentially dangerous exposure to high levels of acoustic pressure, anyone who is exposed to these levels should use adequate protection devices.

When a transducer capable of producing high sound levels is being used, it is necessary to wear ear plugs or protective earphones.

See the technical specifications in the instruction manual for the maximum sound pressure the loudspeaker is capable of producing.

12. To ensure a correct sound reproduction, loudspeaker phase is to be respected (loudspeakers are connected respecting the amplifier polarity). This is important when loudspeakers are installed adjacent one another, for instance, in the same room.

13. To prevent inductive effects from causing hum, noise and a bad system working, loudspeaker lines should not be laid together with other electric cables (mains), microphone or line level signal cables connected to amplifier inputs.

14. The loudspeaker cable shall have wires (twisted, if possible, to reduce inductive effects due to surrounding electro-magnetic fields) with a suitable section and a sufficient electrical insulation. Refer to local regulations since there may be additional requirements about cable characteristics.

15. Do NOT connect the loudspeaker low impedance (8 Ω) input to 70 / 100 V constant voltage lines.

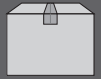
16. Install this loudspeaker far from any heat source.

17. Do not overload the loudspeaker with too much power.

18. Do not use solvents, alcohol, benzene or other volatile substances for cleaning the external parts of this product. Use a dry cloth.

RCF S.P.A. THANKS YOU FOR PURCHASING THIS PRODUCT, WHICH HAS BEEN DESIGNED TO GUARANTEE RELIABILITY AND HIGH PERFORMANCE.

DESCRIPTION



The new 'Compact' series includes a wide range of high quality 2-way passive loudspeakers for fixed installations. It is based on the RCF exclusive 'Coverage Matching Design' technology, that helps guarantee an optimal transition between the high frequency horn polar pattern and the low frequency woofer directivity.

The horn can be rotated, allowing to install the loudspeaker either vertically or horizontally.

This manual covers 4 models of the new series:

- **C 5212** two-way loudspeaker, 12" woofer (3" voice coil) and 1.4" driver (2.5" voice coil)
- **C 5215** two-way loudspeaker, 15" woofer (3" voice coil) and 1.4" driver (2.5" voice coil)
- **C 7312** two-way loudspeaker, 12" woofer (4" voice coil) and 2" driver (3" voice coil)
- **C 9315** two-way loudspeaker, 15" woofer (4" voice coil) and 2" driver (3" voice coil).

The C 5212 and C 5215 models are available with 5 different horn dispersions, indicated by 5 different suffixes:

- **C 5212-64**, C 5212 having 60° (horizontal) x 40° (vertical) dispersion
- **C 5212-66**, C 5212 having 60° (horizontal) x 60° (vertical) dispersion
- **C 5212-94**, C 5212 having 90° (horizontal) x 40° (vertical) dispersion
- **C 5212-96**, C 5212 having 90° (horizontal) x 60° (vertical) dispersion
- **C 5212-99**, C 5212 having 90° (horizontal) x 90° (vertical) dispersion

- **C 5215-64**, C 5215 having 60° (horizontal) x 40° (vertical) dispersion
- **C 5215-66**, C 5215 having 60° (horizontal) x 60° (vertical) dispersion
- **C 5215-94**, C 5215 having 90° (horizontal) x 40° (vertical) dispersion
- **C 5215-96**, C 5215 having 90° (horizontal) x 60° (vertical) dispersion
- **C 5215-99**, C 5215 having 90° (horizontal) x 90° (vertical) dispersion.

The C 7312 and C 9315 models are available with 2 different horn dispersions, indicated by 2 different suffixes:

- **C 7312-64**, C 7312 having 60° (horizontal) x 40° (vertical) dispersion
- **C 7312-94**, C 7312 having 90° (horizontal) x 40° (vertical) dispersion

- **C 9315-64**, C 9315 having 60° (horizontal) x 40° (vertical) dispersion
- **C 9315-94**, C 9315 having 90° (horizontal) x 40° (vertical) dispersion.

All models are carefully assembled in Italy (in our main factory) and include RCF woofers and drivers that are the best of the most recent technology about transducers.

All loudspeakers are equipped with a high power handling 'Low Impedance Compensated Crossover', having an electronic protection for the driver.

It is also possible to choose the "bi-amp" mode (an amplifier for low frequencies and another one for high frequencies) by using an external crossover.

All cabinets are made of Baltic birch plywood (heavy duty painted) and allow different installation options.

The steel front grilles are protected with a robust double mesh polyester clothing.

The front RCF logo is easily rotatable.

All models are equipped with top and bottom 'Multiplates' for either wall or suspended mounting with chains.

Installation points are available on rear panels.

All models have two Neutrik Speakon NL4 connectors (audio input and parallel link output).



Loudspeakers are to be installed by qualified personnel, respecting all safety standards. Loudspeakers are to be installed securely. Make sure the support structure (walls / ceilings) has the necessary mechanical characteristics for the loudspeaker weight, without the risk of a fall that could damage things or cause an injury. Use attachments elements suitable for walls / ceilings (e.g. wall plugs for bricks, concrete, etc.).



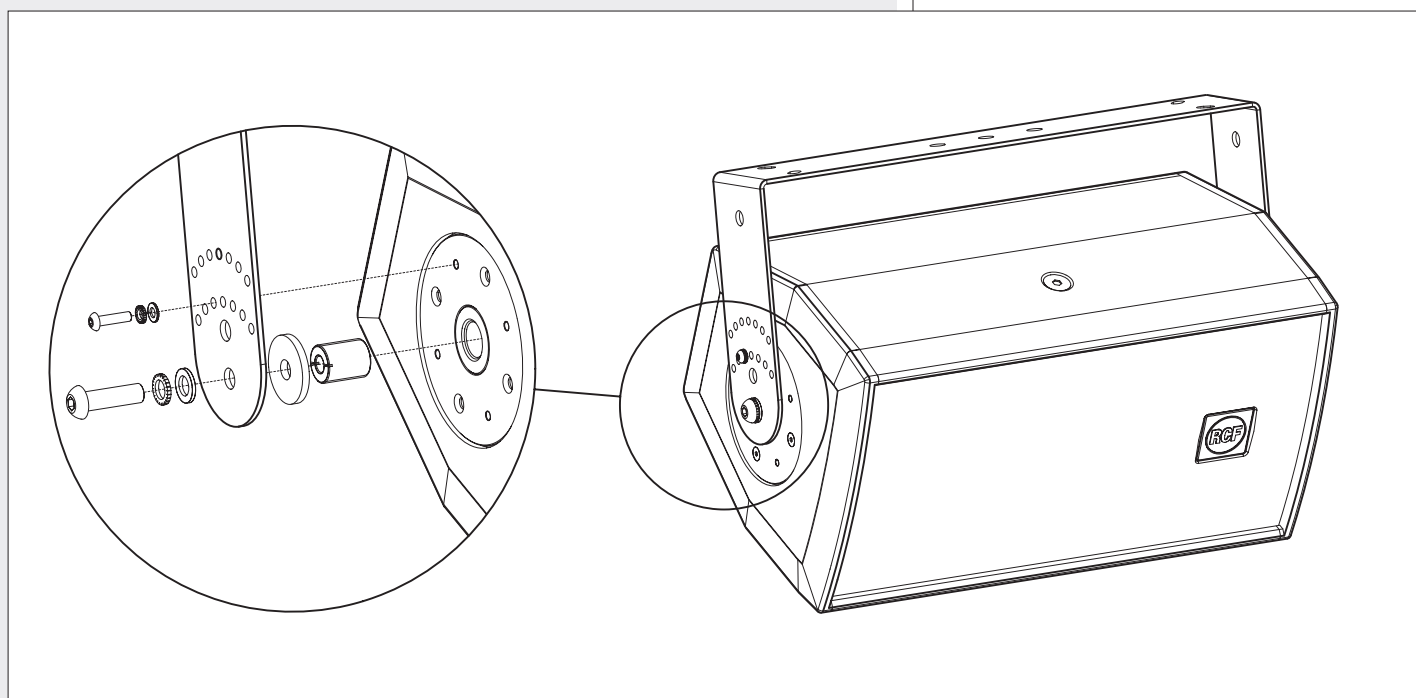
a) HORIZONTAL MOUNTING WITH U BRACKET

NECESSARY OPTIONAL ACCESSORY:

- AC NC12 H-BR (for the C 5212-64, C 5212-66, C 5212-94, C 5212-96, C 5212-99, C 7312-64, C 7312-94 models)
- AC NC15 H-BR (for the C 5215-64, C 5215-66, C 5215-94, C 5215-96, C 5215-99, C 9315-64, C 9315-94 models).

Fix the U bracket to the wall / ceiling through at least 4 lateral wall plugs (max. M8) plus a central one (max. M10).

Mount the U bracket to the loudspeaker by tightening the two M10x35 bolts into the two central holes of the multiplates, as shown in the figure below.



As an alternative, it is possible to install the loudspeaker a bit less prominent, thanks to the U bracket inner holes. Before tightening the two M10 bolts, adjust the loudspeaker vertical tilt and then fix it through two M5x20 bolts into one of the 7 small holes of the U bracket.

NOTE: DO NOT TILT THE LOUDSPEAKER UPWARDS!

INSTEAD OF SIMPLE M10 BOLTS, IT IS POSSIBLE TO USE THE INCLUDED KNOBS (HAVING M10 BOLTS).



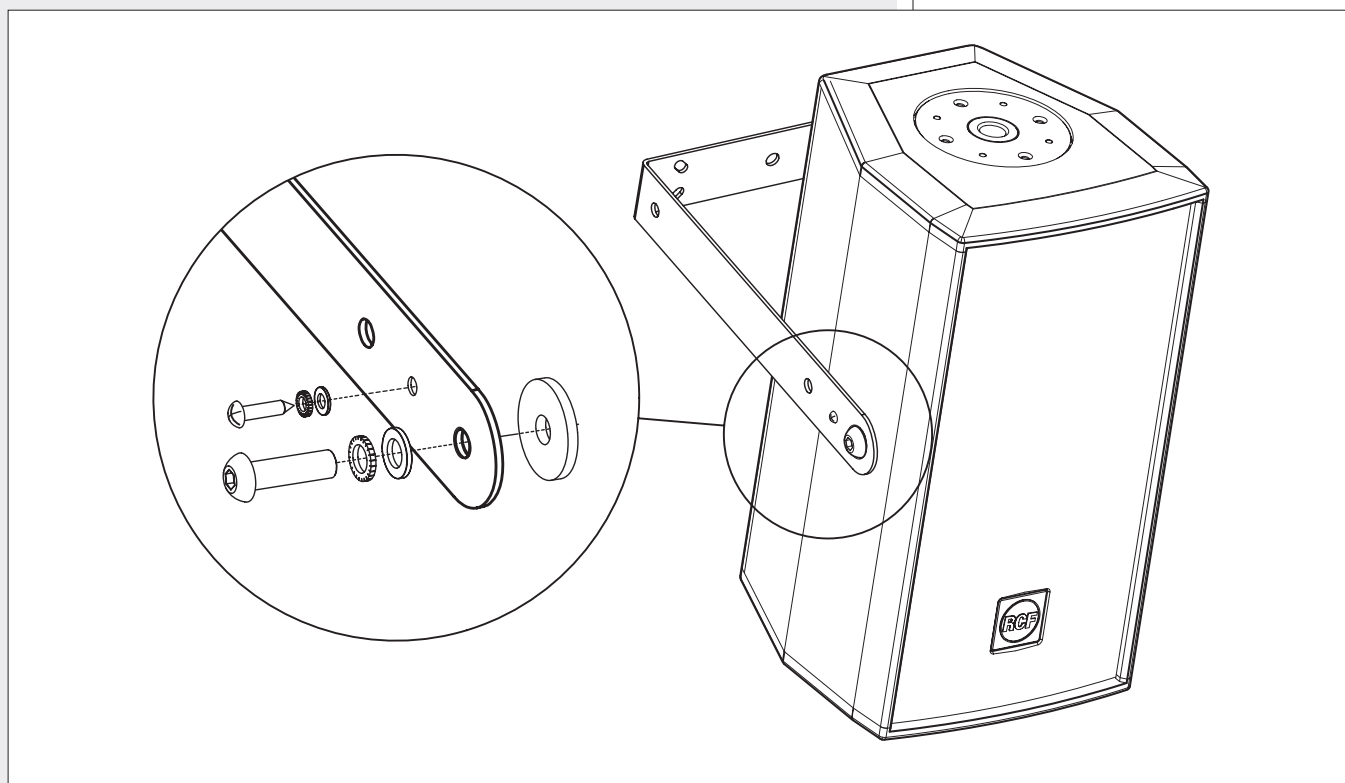
b) VERTICAL MOUNTING WITH U BRACKET

NECESSARY OPTIONAL ACCESSORY:

- AC NC12 V-BR (for the C 5212-64, C 5212-66, C 5212-94, C 5212-96, C 5212-99, C 7312-64, C 7312-94 models)
- AC NC15 V-BR (for the C 5215-64, C 5215-66, C 5215-94, C 5215-96, C 5215-99, C 9315-64, C 9315-94 models).

Fix the U bracket to the wall / ceiling through at least 4 lateral wall plugs (max. M8) plus a central one (max. M10).

Mount the U bracket to the loudspeaker by tightening the two M10x35 bolts into the two lateral holes of the loudspeaker, as shown in the figure below.



As an alternative, it is possible to install the loudspeaker a bit less prominent, thanks to the U bracket inner holes.

Before tightening the two M10 bolts, adjust the loudspeaker vertical tilt and then fix it through two M4.2x22 self-threading screws (passing through the small hole of the U bracket) directly into the loudspeaker cabinet wood.

Note: do NOT tilt the loudspeaker upwards!

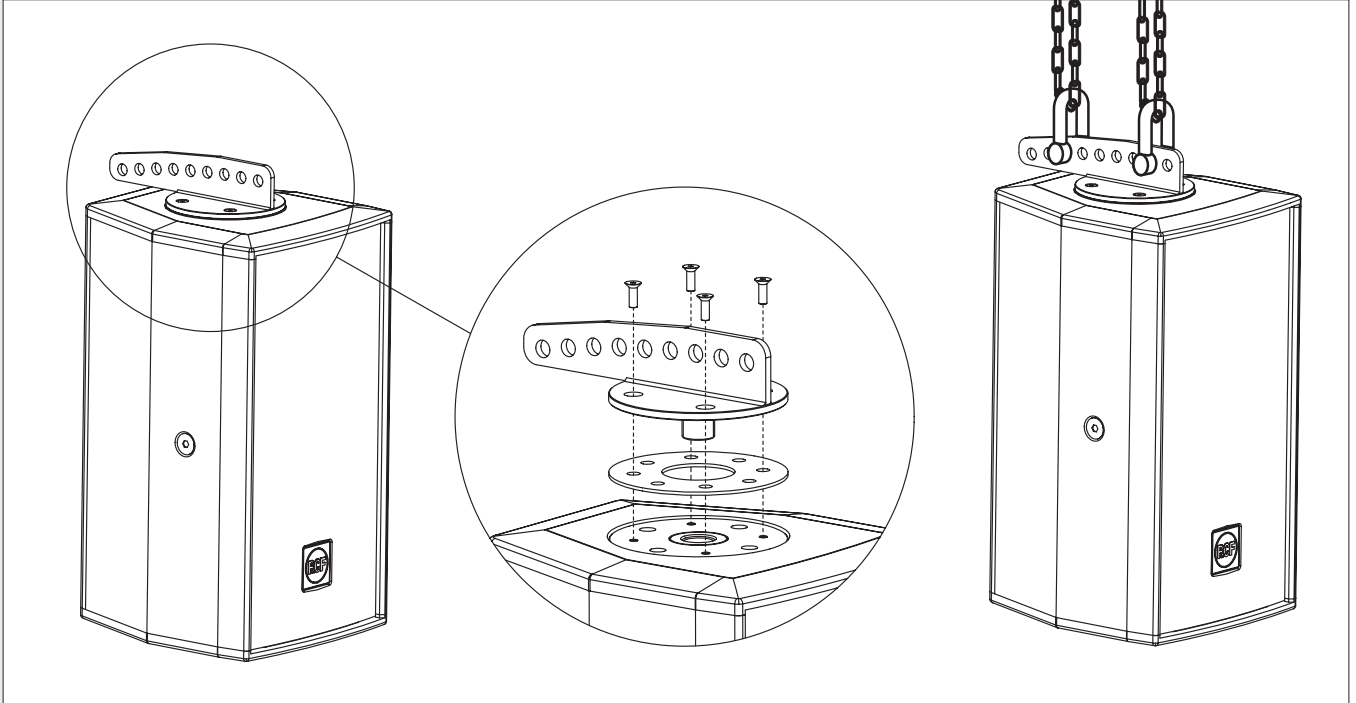
Instead of simple M10 bolts, it is possible to use the included knobs (having M10 bolts).

c) SUSPENDED MOUNTING WITH A DEDICATED ACCESSORY

NECESSARY OPTIONAL ACCESSORY: AC NC-FB2

The AC NC-FB2 accessory is a bracket with holes that allows the loudspeaker suspension with two M10 D-shackles and chains (not included).

Fix the AC NC-FB2 accessory to the loudspeaker top multiplate through four M5 flat head, as shown in the figure below.





WARNING: loudspeaker connections should be only made by qualified and experienced personnel having the technical know-how or sufficient specific instructions (to ensure that connections are made correctly) in order to prevent any electrical danger. To prevent any risk of electric shock, do not connect loudspeakers when the amplifier is switched on.

Before turning the system on, check all connections and make sure there are no accidental short circuits.

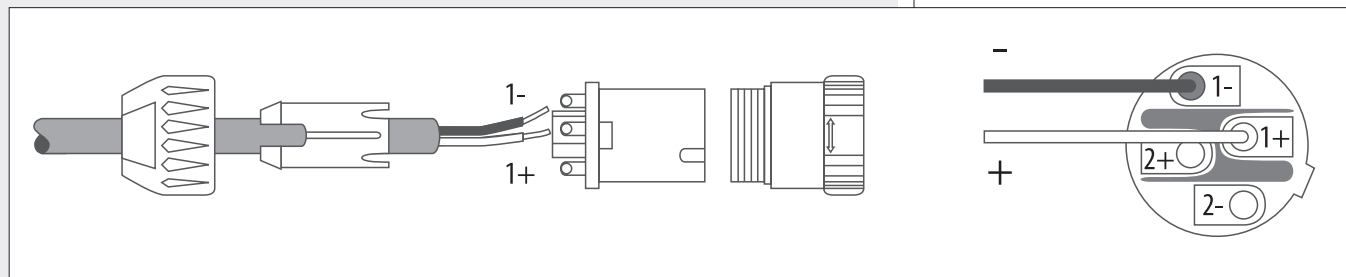
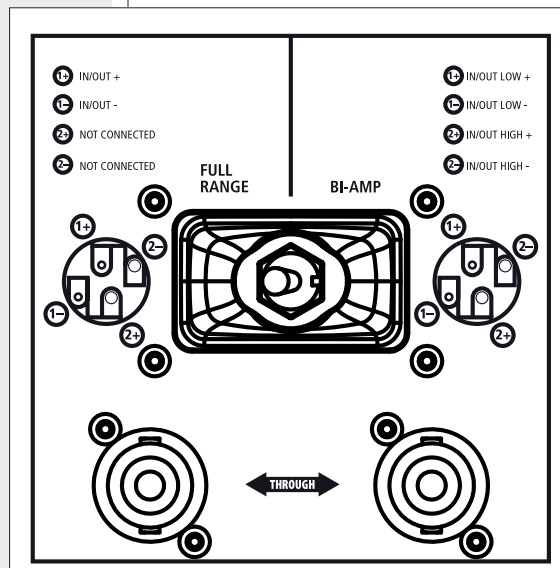
The entire sound system shall be designed and installed in compliance with the current local laws and regulations regarding electrical systems. 'Compact' series loudspeakers are designed for indoor use only. If installed outdoor, loudspeakers shall be protected against water.

On each rear panel:

- A switch to select either 'FULL RANGE' (one amplifier and use of the internal crossover) or 'BI-AMP' (bi-amplification and external crossover)
- 2 sockets (input and output, linked in parallel) for 'Neutrik Speakon NL4' (4-pole) plugs.

'FULL RANGE' MODE

The impedance value of each loudspeaker is 8 Ω.

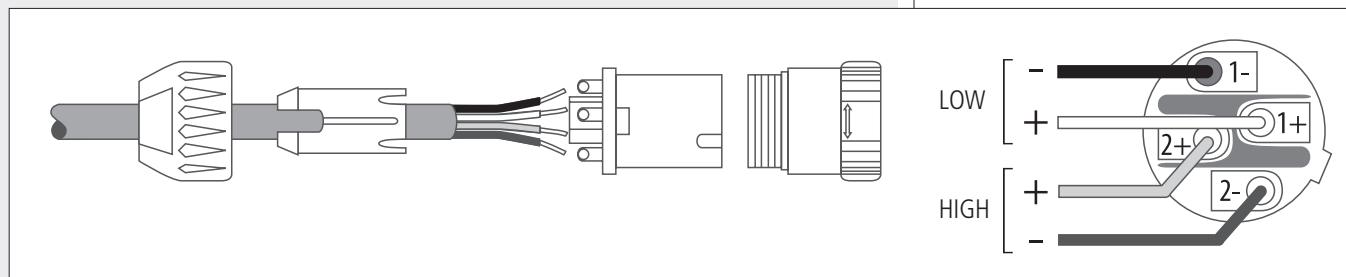
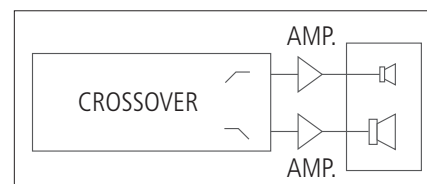


Connect the positive wire (amplifier '+' output) to the pin 1+ of the SPEAKON connector. Connect the negative wire (amplifier '-' output) to the pin 1- of the SPEAKON connector. The pins 2+ and 2- are not used.

'BI-AMP' MODE

Two amplifiers are necessary (one for low frequencies, one for high frequencies) and an external crossover.

See in the specification table the impedance of each way, the handling power and the suggest crossover frequency.



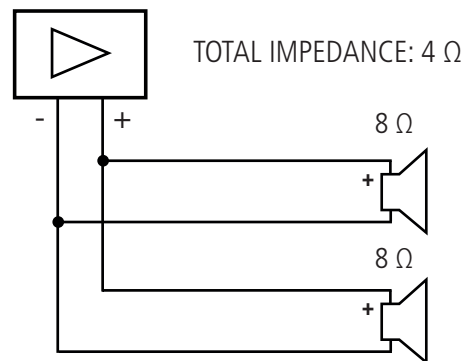
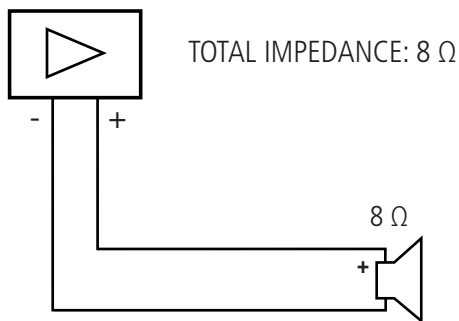
Connections:

- Low frequency amplifier + output to the pin 1+ of the SPEAKON connector
- Low frequency amplifier - output to the pin 1- of the SPEAKON connector
- High frequency amplifier + output to the pin 2+ of the SPEAKON connector
- High frequency amplifier - output to the pin 2- of the SPEAKON connector.

NOTES ABOUT LOW IMPEDANCE CONNECTIONS



- The total loudspeaker impedance must not be lower than the amplifier output impedance. Note: a loudspeaker total impedance equal to the amplifier output one permits to get the maximum deliverable power (but an higher loudspeaker impedance entails less power).
- The total loudspeaker power shall be adequate for the maximum deliverable power of the amplifier.
- The loudspeaker line shall be short (for long distances, it may be necessary to use cables with large cross-section wires).



- Always use cables having wires with an adequate cross-section, considering the cable length and the total loudspeaker power.
- Loudspeaker lines must be kept separated from the mains cables, microphone cables or others, in order to avoid inductive phenomena may cause hum or noises.
- Use loudspeaker cables with twisted wires to reduce hum caused by inductive effects due to coupling with electromagnetic fields.
- Do NOT connect the low impedance input directly to 70 / 100 V constant voltage lines.



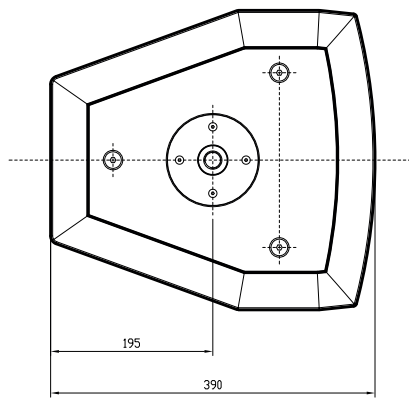
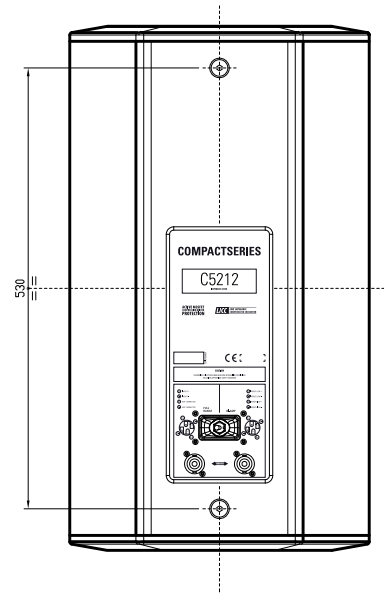
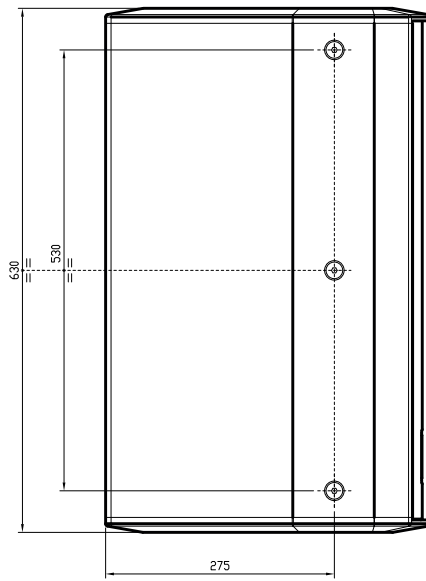
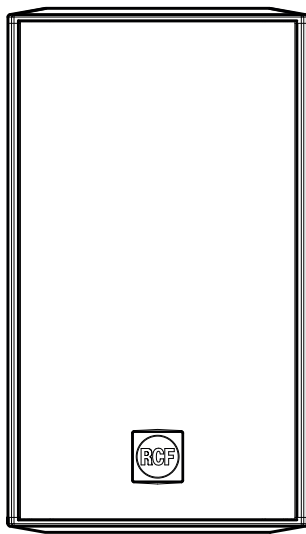
CABINET: birch plywood COLOUR: black

MODEL	C 5212-64	C 5212-66	C 5212-94	C 5212-96	C 5212-99
IMPEDANCE ('full range')	8 Ω	8 Ω	8 Ω	8 Ω	8 Ω
RMS POWER, ("full-range")	500 W	500 W	500 W	500 W	500 W
IMPEDANCES ('bi-amp')	8 Ω (LF) 8 Ω (HF)	8 Ω (LF) 8 Ω (HF)	8 Ω (LF) 8 Ω (HF)	8 Ω (LF) 8 Ω (HF)	8 Ω (LF) 8 Ω (HF)
AES POWERS ('bi-amp')	400 W (LF) 100 W (HF)	400 W (LF) 100 W (HF)	400 W (LF) 100 W (HF)	400 W (LF) 100 W (HF)	400 W (LF) 100 W (HF)
CROSSOVER FREQUENCY	1.2 kHz	1.2 kHz	1.2 kHz	1.2 kHz	1.2 kHz
FREQUENCY RESPONSE (-10 dB)	60 Hz ÷ 20 kHz	60 Hz ÷ 20 kHz	60 Hz ÷ 20 kHz	60 Hz ÷ 20 kHz	60 Hz ÷ 20 kHz
SENSITIVITY (1 W / 1 m)	98 dB	98 dB	98 dB	98 dB	98 dB
SPL (1 m)	125 dB (500 W)	125 dB (500 W)	125 dB (500 W)	125 dB (500 W)	125 dB (500 W)
WOOFER	12" (3" v.c.)	12" (3" v.c.)	12" (3" v.c.)	12" (3" v.c.)	12" (3" v.c.)
DRIVER	1.4" (2.5" v.c.)	1.4" (2.5" v.c.)	1.4" (2.5" v.c.)	1.4" (2.5" v.c.)	1.4" (2.5" v.c.)
DISPERSION (hor. x vert.)	60° x 40°	60° x 60°	90° x 40°	90° x 60°	90° x 90°
NET WEIGHT	29 kg	29 kg	29 kg	29 kg	29 kg

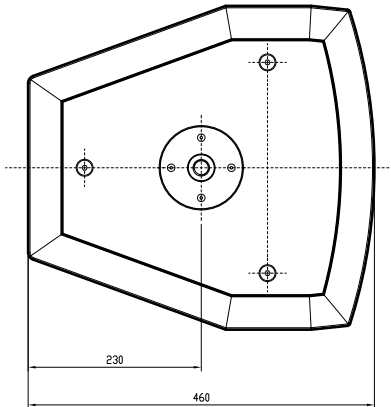
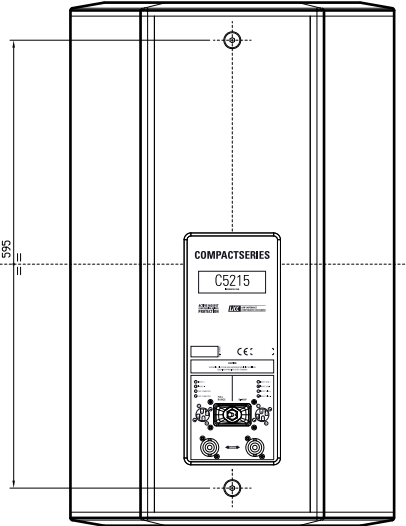
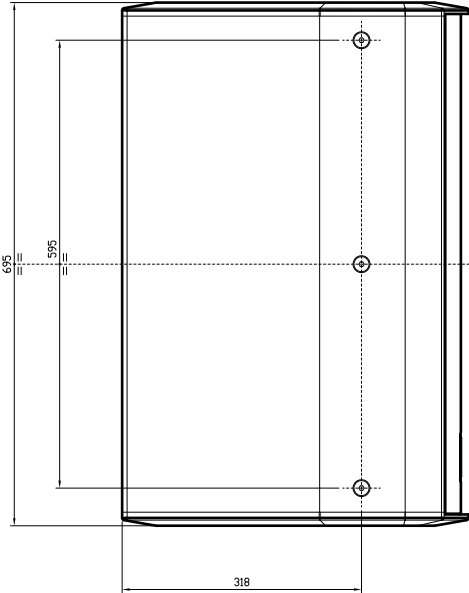
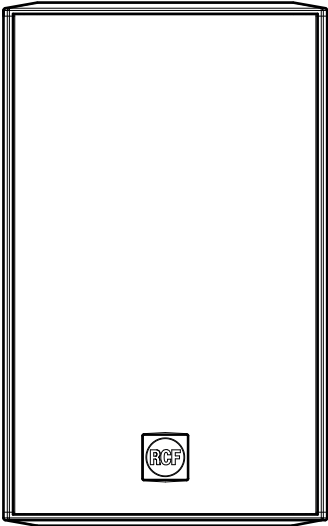
MODEL	C 5215-64	C 5215-66	C 5215-94	C 5215-96	C 5215-99
IMPEDANCE ('full range')	8 Ω	8 Ω	8 Ω	8 Ω	8 Ω
RMS POWER, ("full-range")	500 W	500 W	500 W	500 W	500 W
IMPEDANCES ('bi-amp')	8 Ω(LF)-8 Ω(HF)	8 Ω(LF)-8 Ω(HF)	8 Ω(LF)-8 Ω(HF)	8 Ω(LF)-8 Ω(HF)	8 Ω(LF)-8 Ω(HF)
AES POWERS ('bi-amp')	400 W (LF) 100 W (HF)	400 W (LF) 100 W (HF)	400 W (LF) 100 W (HF)	400 W (LF) 100 W (HF)	400 W (LF) 100 W (HF)
CROSSOVER FREQUENCY	1.2 kHz	1.2 kHz	1.2 kHz	1.2 kHz	1.2 kHz
FREQUENCY RESPONSE (-10 dB)	55 Hz ÷ 20 kHz	55 Hz ÷ 20 kHz	55 Hz ÷ 20 kHz	55 Hz ÷ 20 kHz	55 Hz ÷ 20 kHz
SENSITIVITY (1 W / 1 m)	99 dB	99 dB	99 dB	99 dB	99 dB
SPL (1 m)	126 dB (500W)	126 dB (500W)	126 dB (500W)	126 dB (500W)	126 dB (500W)
WOOFER	15" (3" v.c.)	15" (3" v.c.)	15" (3" v.c.)	15" (3" v.c.)	15" (3" v.c.)
DRIVER	1.4" (2.5" v.c.)	1.4" (2.5" v.c.)	1.4" (2.5" v.c.)	1.4" (2.5" v.c.)	1.4" (2.5" v.c.)
DISPERSION (hor. x vert.)	60° x 40°	60° x 60°	90° x 40°	90° x 60°	90° x 90°
NET WEIGHT	34.8 kg	34.8 kg	34.8 kg	34.8 kg	34.8 kg

MODEL	C 7312-64	C 7312-94	C 9315-64	C 9315-94
IMPEDANCE ('full range')	8 Ω	8 Ω	8 Ω	8 Ω
RMS POWER ('full range')	700 W	700 W	1000 W	1000 W
IMPEDANCES ('bi-amp')	8 Ω(LF)-8 Ω(HF)	8 Ω(LF)-8 Ω(HF)	8 Ω(LF)-8 Ω(HF)	8 Ω(LF)-8 Ω(HF)
AES POWERS ('bi-amp')	600 W (LF) - 90 W (HF)	600 W (LF) - 90 W (HF)	800 W (LF) - 90 W (HF)	800 W (LF) - 90 W (HF)
CROSSOVER FREQUENCY	1.2 kHz	1.2 kHz	1.2 kHz	1.2 kHz
FREQUENCY RESPONSE (-10 dB)	50 Hz ÷ 20 kHz	50 Hz ÷ 20 kHz	50 Hz ÷ 20 kHz	50 Hz ÷ 20 kHz
SENSITIVITY (1 W / 1 m)	99 dB	98 dB	101 dB	100 dB
SPL (1 m)	127 dB (700 W)	126 dB (700 W)	131 dB (1000 W)	130 dB (1000 W)
WOOFER	12" (4" v.c.)	15" (4" v.c.)	15" (4" v.c.)	15" (4" v.c.)
DRIVER	2" (3" v.c.)	2" (3" v.c.)	2" (3" v.c.)	2" (3" v.c.)
DISPERSION (hor. x vert.)	60° x 40°	90° x 40°	60° x 40°	90° x 40°
NET WEIGHT	/	/	/	/

C 5212, C 7312 DIMENSIONS mm



C 5215, C 9315 DIMENSIONS mm





AVVERTENZE PER LA SICUREZZA	16
DESCRIZIONE	18
INSTALLAZIONE	19
COLLEGAMENTI	22
NOTE SUI SISTEMI CON CONNESSIONE A BASSA IMPEDENZA	23
DATI TECNICI	24
DIMENSIONI C 5212, C 7312	25
DIMENSIONI C 5215, C 9315	26

**IMPORTANTE**

Prima di collegare ed utilizzare questo prodotto, leggere attentamente le istruzioni contenute in questo manuale, il quale è da conservare per riferimenti futuri. Il presente manuale costituisce parte integrante del prodotto e deve accompagnare quest'ultimo anche nei passaggi di proprietà, per permettere al nuovo proprietario di conoscere le modalità d'installazione e d'utilizzo e le avvertenze per la sicurezza.

L'installazione e l'utilizzo errati del prodotto esimono la **RCF S.p.A.** da ogni responsabilità.

ATTENZIONE: Per prevenire i rischi di fiamme o scosse elettriche, non esporre il diffusore alla pioggia o all'umidità ed anche alle polveri.

AVVERTENZE PER LA SICUREZZA E PRECAUZIONI D'USO

1. Tutte le avvertenze, in particolare quelle relative alla sicurezza, devono essere lette con particolare attenzione, in quanto contengono importanti informazioni.

2. La linea diffusori (uscita dell'amplificatore) può avere una tensione sufficientemente alta da costituire un rischio di folgorazione per le persone: non procedere mai all'installazione o alla connessione del diffusore quando l'amplificatore è acceso.

3. Assicurarsi che tutte le connessioni siano corrette e che l'impedenza del diffusore sia compatibile con le caratteristiche d'uscita dell'amplificatore.

4. Accertarsi che la linea diffusori non possa essere calpestata o schiacciata da oggetti, al fine di salvaguardarne la perfetta integrità.

5. Impedire che oggetti o liquidi entrino all'interno del prodotto, perché potrebbero causare un corto circuito.

6. Non eseguire sul prodotto interventi / modifiche / riparazioni se non quelle espressamente descritte sul manuale istruzioni.

Contattare centri di assistenza autorizzati o personale altamente qualificato quando:

- il diffusore non funziona (o funziona in modo anomalo);
- il cavo è danneggiato;
- oggetti o liquidi sono entrati nel diffusore;
- il diffusore non è più integro (a causa di urti / incendio).

7. Nel caso che dal diffusore provengano odori anomali o fumo, spegnere immediatamente l'amplificatore relativo alla linea e poi scollegare il diffusore.

8. Non collegare a questo diffusore apparecchi ed accessori non previsti.

Quando è prevista l'installazione sospesa, utilizzare solamente gli appositi punti di ancoraggio e non cercare di appendere il diffusore con elementi non idonei o previsti allo scopo.

Verificare inoltre l'idoneità del supporto (parete, soffitto, struttura ecc.) e dei componenti utilizzati per il fissaggio (tasselli, viti, staffe non fornite da RCF ecc.) che devono garantire la sicurezza dell'impianto / installazione nel tempo, anche considerando, ad esempio, vibrazioni meccaniche normalmente generate da un trasduttore.

9. La **RCF S.p.A.** raccomanda vivamente che l'installazione di questo prodotto sia eseguita solamente da installatori professionali qualificati (oppure da ditte specializzate) in grado di farla correttamente e certificarla in accordo con le normative vigenti. Tutto il sistema audio dovrà essere in conformità con le norme e le leggi vigenti in materia di impianti elettrici.

IMPORTANTE

10. I fattori meccanici ed elettrici sono da considerare quando si installa un sistema audio professionale (oltre a quelli prettamente acustici, come la pressione sonora, gli angoli di copertura, la risposta in frequenza, ecc.).

11. Perdita dell'udito

L'esposizione ad elevati livelli sonori può provocare la perdita permanente dell'udito. Il livello di pressione acustica pericolosa per l'udito varia sensibilmente da persona a persona e dipende dalla durata dell'esposizione. Per evitare un'esposizione potenzialmente pericolosa ad elevati livelli di pressione acustica, è necessario che chiunque sia sottoposto a tali livelli utilizzi delle adeguate protezioni; quando si fa funzionare un trasduttore in grado di produrre elevati livelli sonori è necessario indossare dei tappi per orecchie o delle cuffie protettive.

Consultare i dati tecnici contenuti nel manuale istruzioni per conoscere la massima pressione sonora che il diffusore acustico è in grado di produrre.

12. I diffusori devono essere collegati in fase (corrispondenza delle polarità +/- tra amplificatori e diffusori) in modo da garantire una corretta riproduzione audio, soprattutto quando i diffusori sono collocati in posizione fra loro adiacente o nello stesso ambiente.

13. Per evitare che fenomeni induttivi diano luogo a ronzii, disturbi e compromettano il buon funzionamento dell'impianto, le linee diffusori non devono essere canalizzate insieme ai conduttori dell'energia elettrica, ai cavi microfonici, alle linee di segnale a basso livello che fanno capo ad amplificatori.

14. Il cavo per il collegamento del diffusore dovrà avere conduttori di sezione adeguata (possibilmente intrecciati, per minimizzare gli effetti induttivi dovuti all'accoppiamento con campi elettromagnetici circostanti) ed un isolamento idoneo.

15. Non collegare l'ingresso a bassa impedenza del diffusore acustico ad una linea a tensione costante (100 V).

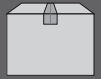
16. Collocare il diffusore lontano da fonti di calore.

17. Non sovraccaricare il diffusore con una potenza eccessiva.

18. Non usare solventi, alcool, benzina o altre sostanze volatili per la pulizia delle parti esterne; usare un panno asciutto.

RCF S.P.A. VI RINGRAZIA PER L'ACQUISTO DI QUESTO PRODOTTO, REALIZZATO IN MODO DA GARANTIRNE L'AFFIDABILITÀ E PRESTAZIONI ELEVATE.

DESCRIZIONE



La nuova serie "Compact" comprende una vasta gamma di diffusori acustici passivi a 2 vie di alta qualità per installazioni fisse ed include l'esclusiva tecnologia RCF "Coverage Matching Design", la quale garantisce una transizione ottimale tra la risposta polare della tromba per le alte frequenze e la direttività del trasduttore (il woofer) per le basse frequenze. La tromba (per le alte frequenze) è ruotabile, permettendo l'uso del diffusore acustico sia in posizione verticale sia in quella orizzontale.

Questo manuale riguarda 4 modelli della nuova serie:

- **C 5212** sistema a 2 vie con woofer (per le basse frequenze) da 12 pollici (con bobina da 3 pollici) e driver (per le alte frequenze) da 1,4 pollici (con bobina da 2,5 pollici);
- **C 5215** sistema a 2 vie con woofer da 15 pollici (con bobina da 3 pollici) e driver da 1,4 pollici (con bobina da 2,5 pollici);
- **C 7312** sistema a 2 vie con woofer da 12 pollici (con bobina da 4 pollici) e driver da 2 pollici (con bobina da 3 pollici);
- **C 9315** sistema a 2 vie con woofer da 15 pollici (con bobina da 4 pollici) e driver da 2 pollici (con bobina da 3 pollici).

I modelli C 5212 e C 5215 sono disponibili in 5 diverse versioni (identificabili dal suffisso al nome) che differiscono nella dispersione della tromba del driver per le alte frequenze:

- **C 5212-64**, C 5212 con dispersione 60° (orizzontale) x 40° (verticale);
- **C 5212-66**, C 5212 con dispersione 60° (orizzontale) x 60° (verticale);
- **C 5212-94**, C 5212 con dispersione 90° (orizzontale) x 40° (verticale);
- **C 5212-96**, C 5212 con dispersione 90° (orizzontale) x 60° (verticale);
- **C 5212-99**, C 5212 con dispersione 90° (orizzontale) x 90° (verticale);
- **C 5215-64**, C 5215 con dispersione 60° (orizzontale) x 40° (verticale);
- **C 5215-66**, C 5215 con dispersione 60° (orizzontale) x 60° (verticale);
- **C 5215-94**, C 5215 con dispersione 90° (orizzontale) x 40° (verticale);
- **C 5215-96**, C 5215 con dispersione 90° (orizzontale) x 60° (verticale);
- **C 5215-99**, C 5215 con dispersione 90° (orizzontale) x 90° (verticale).

I modelli C 7312 e C 9315 sono disponibili in 2 diverse versioni (identificabili dal suffisso al nome) che differiscono nella dispersione della tromba del driver per le alte frequenze:

- **C 7312-64**, C 7312 con dispersione 60° (orizzontale) x 40° (verticale);
- **C 7312-94**, C 7312 con dispersione 90° (orizzontale) x 40° (verticale);
- **C 9315-64**, C 9315 con dispersione 60° (orizzontale) x 40° (verticale);
- **C 9315-94**, C 9315 con dispersione 90° (orizzontale) x 40° (verticale).

Tutti i modelli sono attentamente assemblati in Italia (nella sede principale) e montano woofer e driver RCF che rappresentano il meglio della tecnologia più recente inerente ai trasduttori acustici.

I diffusori sono dotati di un crossover RCF compensato a bassa impedenza ("Low Impedance Compensated Crossover") con protezione elettronica del driver; è inoltre possibile il collegamento in bi-amplificazione (un amplificatore dedicato per le basse frequenze ed uno per le alte) utilizzando un crossover esterno.

I mobili sono in multistrato di betulla del Baltico con verniciatura antigraffio e permettono diverse possibilità d'installazione (rapida e sicura).

Le griglie frontali in acciaio sono protette da una robusta maglia a doppia rete di poliestere. Il logo RCF frontale è facilmente ruotabile.

Tutta la serie è equipaggiata con supporti a disco, sul lato superiore ed inferiore, per il fissaggio (tramite accessori opzionali) a parete o la sospensione con catene.

Sono presenti inoltre punti d'installazione sul pannello posteriore.

Ogni modello ha sul pannello posteriore 2 prese (poste in parallelo, in modo da avere un ingresso ed un'uscita) per connettori "Neutrik Speakon NL4" (a 4 poli).

INSTALLAZIONE



L'installazione dei diffusori deve essere effettuata da personale qualificato rispettando gli standard di sicurezza. Eseguire un'installazione sicura di ogni diffusore, controllando che la struttura di supporto (es. parete, soffitto, ecc.) abbia le necessarie caratteristiche meccaniche, tali da consentirle di sopportarne il peso senza il pericolo di cadute che potrebbero compromettere l'incolumità di persone e/o danneggiare cose.

Utilizzare elementi di fissaggio adatti al tipo di struttura che deve sostenere i diffusori (es. tasselli per mattoni forati, tasselli per calcestruzzo, ecc.).



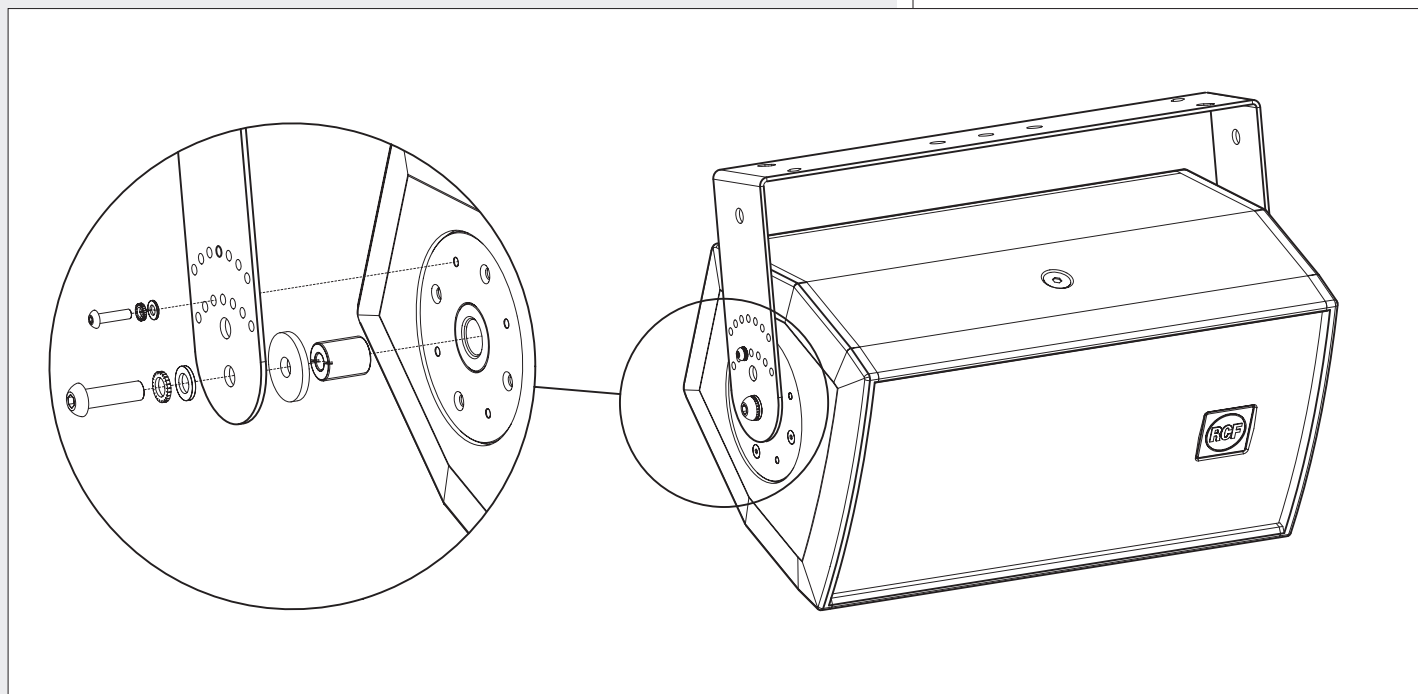
a) INSTALLAZIONE IN POSIZIONE ORIZZONTALE TRAMITE STAFFA AD U

ACCESSORIO OPZIONALE NECESSARIO:

- AC NC12 H-BR (per C 5212-64, C 5212-66, C 5212-94, C 5212-96, C 5212-99, C 7312-64, C 7312-94);
- AC NC15 H-BR (per C 5215-64, C 5215-66, C 5215-94, C 5215-96, C 5215-99, C 9315-64, C 9315-94).

Fissare la staffa ad U alla parete od al soffitto tramite almeno 4 tasselli laterali (max. M8) ed uno centrale (max. M10).

Installare il diffusore alla staffa ad U avvitando i due bulloni M10x35 nei due fori centrali dei supporti a disco, come mostrato nella figura sotto.



Come alternativa, è possibile un'installazione un po' meno sporgente grazie ai fori più interni della staffa ad U.

Prima di stringere i due bulloni M10, regolare l'inclinazione verticale del diffusore e successivamente (quando si è certi dell'angolo) fissarla tramite due bulloni M5x20 in uno dei 7 piccoli fori della staffa ad U adiacenti a quelli per i bulloni.

NOTA: NON INCLINARE IL DIFFUSORE VERSO L'ALTO!

IN ALTERNATIVA AI SEMPLICI BULLONI M10, È POSSIBILE UTILIZZARE LE MANOPOLE (CON BULLONI M10) IN DOTAZIONE.



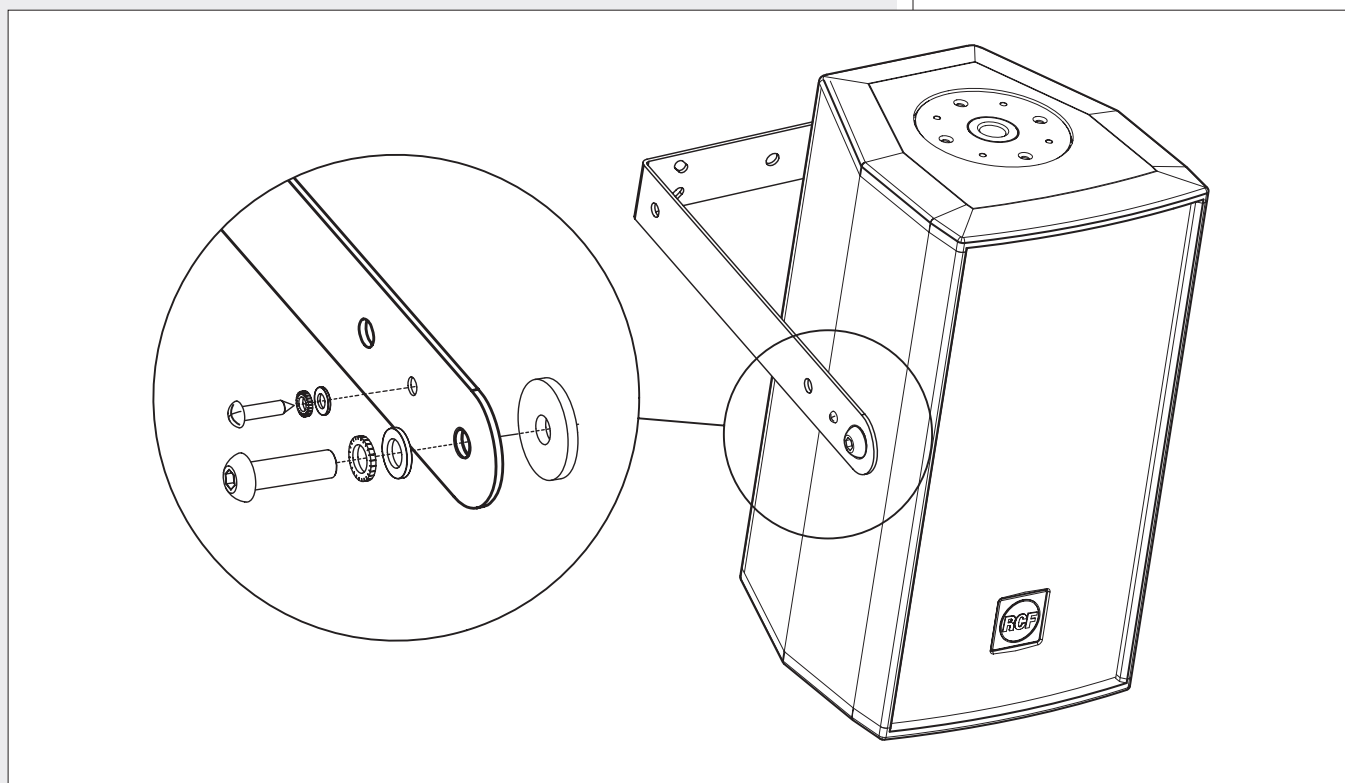
b) INSTALLAZIONE IN POSIZIONE VERTICALE TRAMITE STAFFA AD U

ACCESSORIO OPZIONALE NECESSARIO:

- AC NC12 V-BR (per C 5212-64, C 5212-66, C 5212-94, C 5212-96, C 5212-99, C 7312-64, C 7312-94);
- AC NC15 V-BR (per C 5215-64, C 5215-66, C 5215-94, C 5215-96, C 5215-99, C 9315-64, C 9315-94).

Fissare la staffa ad U alla parete od al soffitto tramite almeno 4 tasselli laterali (max. M8) ed uno centrale (max. M10).

Installare il diffusore alla staffa ad U avvitando i due bulloni M10x35 nei due fori laterali del diffusore acustico, come mostrato nella figura sotto.



Come alternativa, è possibile un'installazione un po' meno sporgente grazie ai fori più interni della staffa ad U.

Prima di stringere i due bulloni M10, regolare l'inclinazione verticale del diffusore e successivamente (quando si è certi dell'angolo) fissarla tramite due viti autofilettanti M4,2x22 (passanti per il foro piccolo della staffa a U) direttamente nel legno del diffusore.

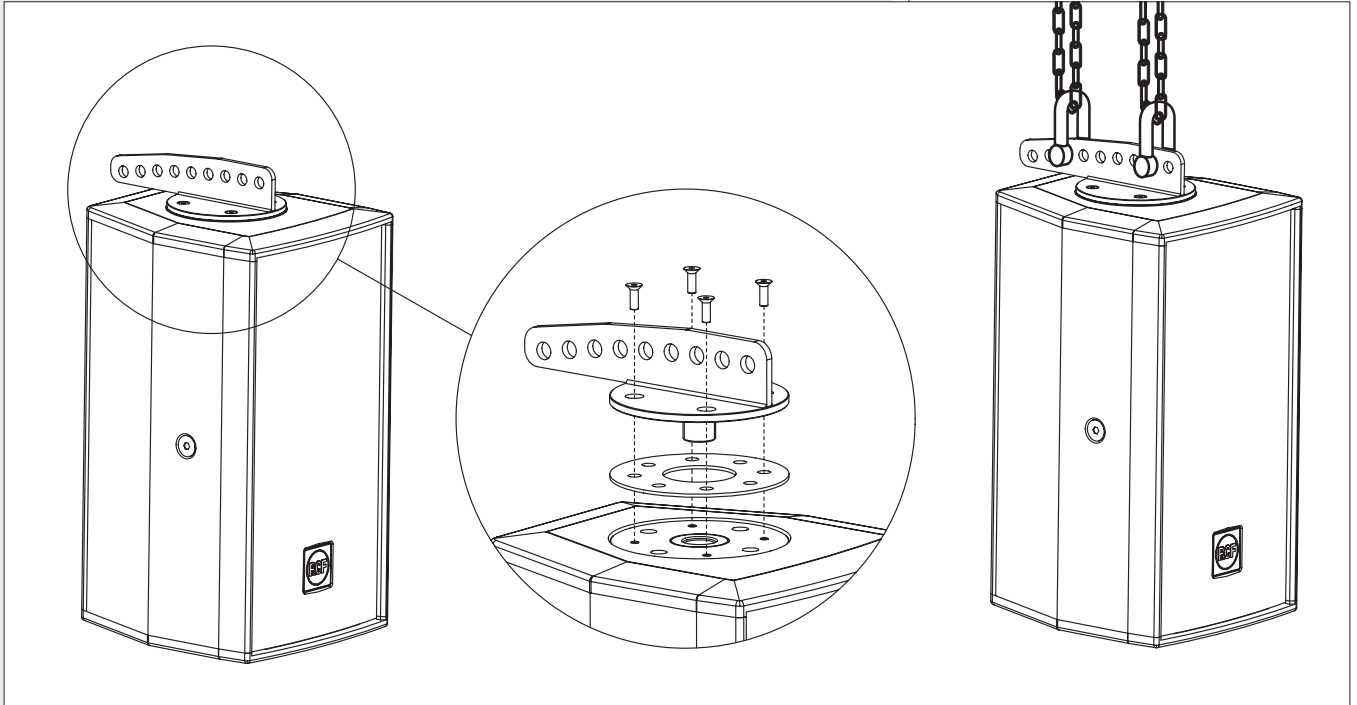
Nota: non inclinare il diffusore verso l'alto!

In alternativa ai semplici bulloni M10, è possibile utilizzarle le manopole (con bulloni M10) in dotazione.

c) INSTALLAZIONE SOSPESA CON ACCESSORIO DEDICATO**ACCESSORIO OPZIONALE NECESSARIO: AC NC-FB2**

L'accessorio AC NC-FB2 è una staffa forata che permette la sospensione del diffusore acustico con l'uso di 2 grilli M10 e catene (non inclusi).

Fissare l'accessorio AC NC-FB2 al supporto a disco superiore del diffusore acustico tramite 4 viti M5 a testa piana svasata (come mostrato nella figura sotto).





ATTENZIONE: per il collegamento del diffusore si raccomanda di rivolgersi a personale qualificato ed addestrato, ossia personale avente conoscenze tecniche o esperienza o istruzioni specifiche sufficienti per permettergli di realizzare correttamente le connessioni e prevenire i pericoli dell'elettricità.

Per evitare il rischio di shock elettrici, non collegare il diffusore con l'amplificatore acceso.

Prima di far funzionare il diffusore, è buona norma ricontrollare tutte le connessioni, verificando attentamente che non vi siano dei cortocircuiti accidentali. Tutto l'impianto di sonorizzazione dovrà essere realizzato in conformità con le norme e le leggi vigenti in materia di impianti elettrici.

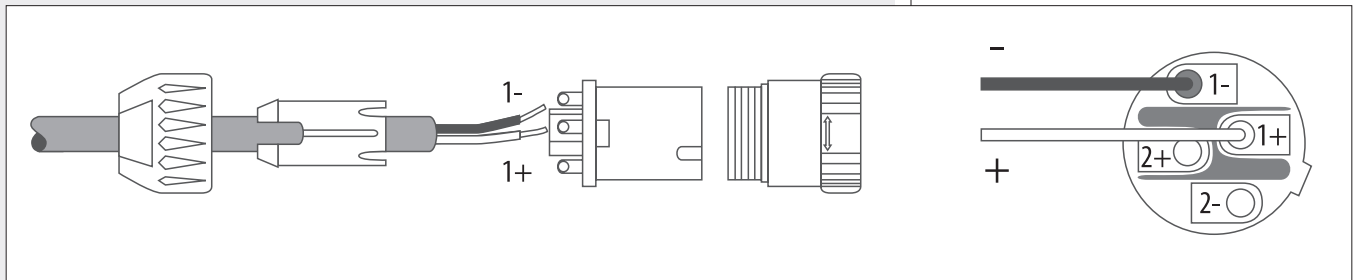
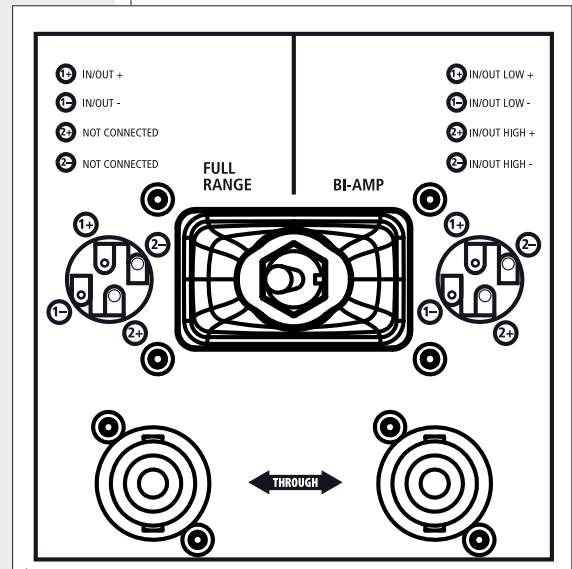
L'uso dei diffusori acustici della serie "Compact" è previsto per i soli ambienti chiusi; se installati all'aperto, i diffusori dovranno essere protetti dall'acqua.

Sul pannello posteriore sono presenti:

- un commutatore tra i modi "FULL RANGE" (amplificazione unica ed uso del crossover interno) e "BI-AMP" (bi-amplificazione e crossover esterno);
- 2 prese (poste in parallelo) per connettori "Neutrik Speakon NL4" (a 4 poli) che fungono sia da ingresso sia da uscita.

MODO "FULL-RANGE"

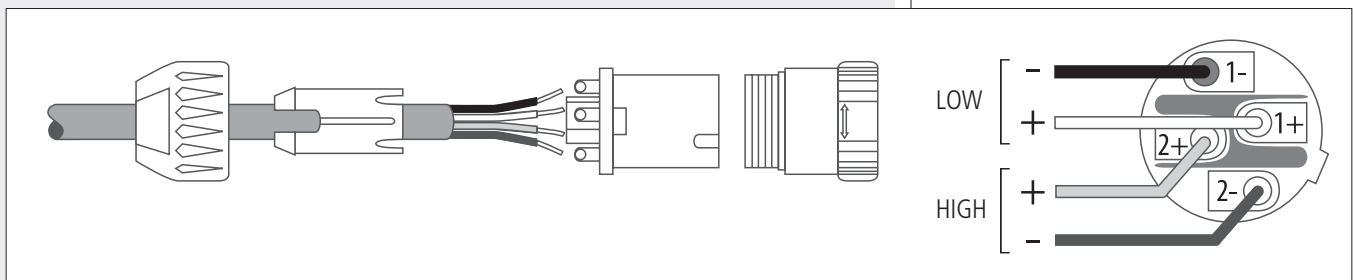
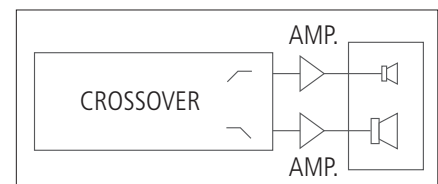
L'impedenza di ciascun diffusore è 8 Ω.



Collegare il conduttore positivo (uscita "+" dell'amplificatore) al contatto 1+ del connettore SPEAKON; collegare il conduttore negativo (uscita "-" dell'amplificatore) al contatto 1- del connettore SPEAKON. I contatti 2+ e 2- non sono utilizzati.

MODO "BI-AMP" (bi-amplificazione)

Occorrono due amplificatori (uno per le basse frequenze ed uno per le alte) ed un crossover esterno. Verificare nella tabella dei dati tecnici l'impedenza di ciascuna sezione, le potenze applicabili e la frequenza suggerita di crossover.

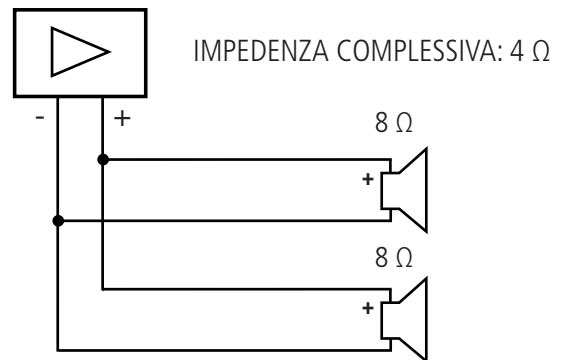
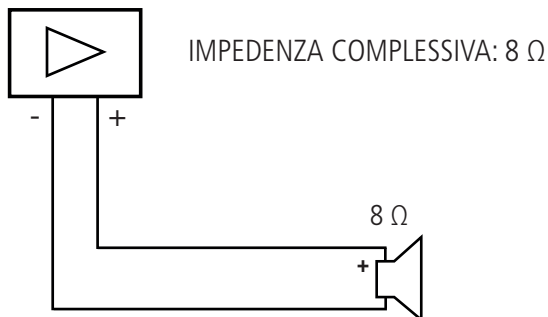


Collegamenti:

- uscita + dell'amplificatore basse frequenze al contatto 1+ del connettore SPEAKON;
- uscita - dell'amplificatore basse frequenze al contatto 1- del connettore SPEAKON;
- uscita + dell'amplificatore alte frequenze al contatto 2+ del connettore SPEAKON;
- uscita - dell'amplificatore alte frequenze al contatto 2- del connettore SPEAKON.



- L'impedenza totale dei diffusori non deve essere inferiore a quella d'uscita dell'amplificatore; nota: l'impedenza complessiva dei diffusori uguale a quella d'uscita dell'amplificatore permette l'erogazione della massima potenza (mentre un'impedenza superiore comporta una riduzione della potenza erogata).
- La somma delle potenze dei diffusori deve essere adeguata alla potenza massima erogabile dall'amplificatore.
- La lunghezza delle linee diffusori deve essere ridotta al minimo (una lunga distanza può comportare l'uso di cavi con sezioni elevate).



- Utilizzare dei cavi con conduttori aventi una sezione adeguata, considerando la loro lunghezza e la potenza complessiva dei diffusori.
- Per evitare che fenomeni induttivi diano luogo a ronzii, disturbi e compromettano il funzionamento del sistema, i cavi per i diffusori non devono essere canalizzati assieme ai conduttori dell'energia elettrica, ai cavi microfonici od altre linee.
- Per minimizzare gli effetti induttivi (ronzii) dovuti all'accoppiamento con campi elettromagnetici circostanti, utilizzare cavi con conduttori intrecciati.
- NON collegare gli ingressi dei diffusori direttamente ad una linea a tensione costante (es. 100 V).



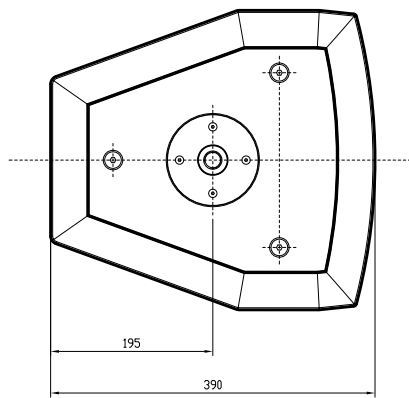
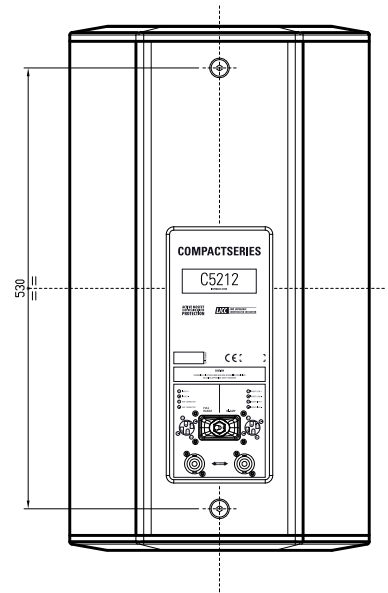
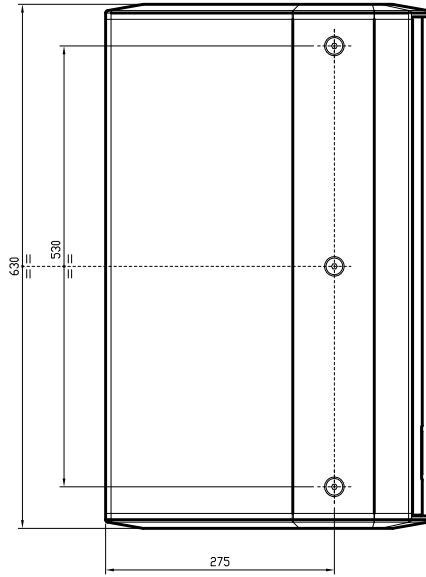
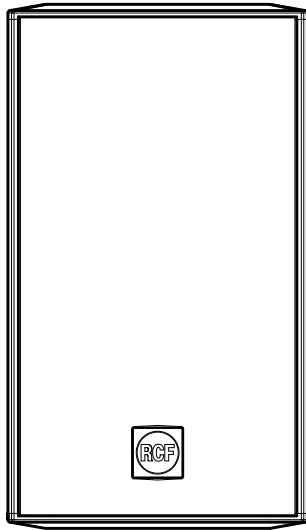
CORPO: multistrato di betulla

COLORE: nero

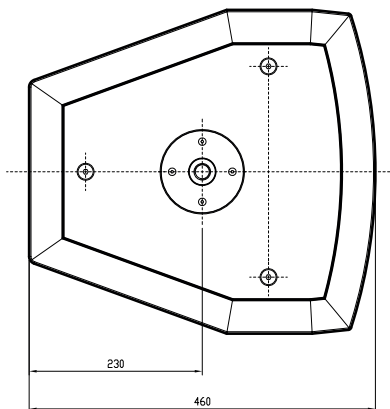
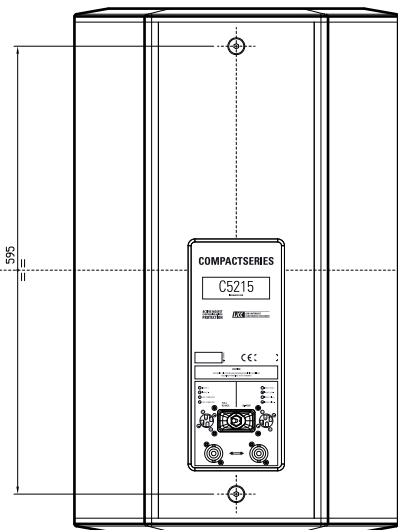
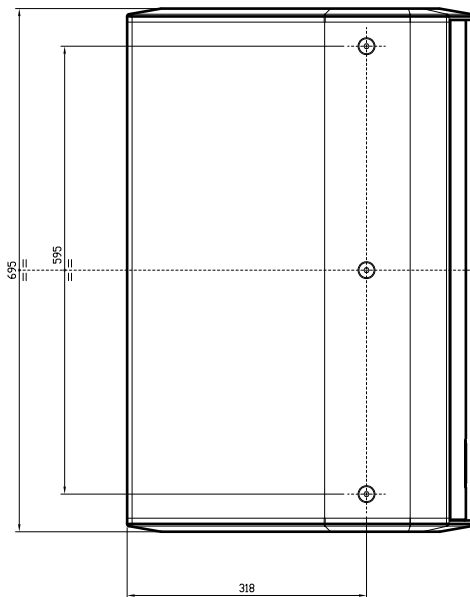
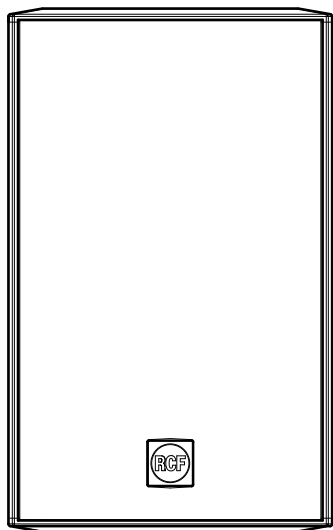
MODEL	C 5212-64	C 5212-66	C 5212-94	C 5212-96	C 5212-99
IMPEDENZA ("full range')	8 Ω	8 Ω	8 Ω	8 Ω	8 Ω
POTENZA RMS, ("full-range")	500 W	500 W	500 W	500 W	500 W
IMPEDENZE ("bi-amp')	8 Ω (LF) 8 Ω (HF)	8 Ω (LF) 8 Ω (HF)	8 Ω (LF) 8 Ω (HF)	8 Ω (LF) 8 Ω (HF)	8 Ω (LF) 8 Ω (HF)
POTENZE (AES, "bi-amp")	400 W (LF) 100 W (HF)	400 W (LF) 100 W (HF)	400 W (LF) 100 W (HF)	400 W (LF) 100 W (HF)	400 W (LF) 100 W (HF)
FREQUENZA DI CROSSOVER	1,2 kHz	1,2 kHz	1,2 kHz	1,2 kHz	1,2 kHz
RISPOSTA IN FREQUENZA (-10dB)	60 Hz ÷ 20 kHz	60 Hz ÷ 20 kHz	60 Hz ÷ 20 kHz	60 Hz ÷ 20 kHz	60 Hz ÷ 20 kHz
SENSIBILITÀ (1 W / 1 m)	98 dB	98 dB	98 dB	98 dB	98 dB
PRESSIONE SONORA (1 m)	125 dB (500 W)	125 dB (500 W)	125 dB (500 W)	125 dB (500 W)	125 dB (500 W)
WOOFER	12" (bob. 3")	12" (bob. 3")	12" (bob. 3")	12" (bob. 3")	12" (bob. 3")
DRIVER	1,4" (bob. 2,5")	1,4" (bob. 2,5")	1,4" (bob. 2,5")	1,4" (bob. 2,5")	1,4" (bob. 2,5")
DISPERSIONE (oriz. x vert.)	60° x 40°	60° x 60°	90° x 40°	90° x 60°	90° x 90°
PESO NETTO	29 kg	29 kg	29 kg	29 kg	29 kg

MODEL	C 5215-64	C 5215-66	C 5215-94	C 5215-96	C 5215-99
IMPEDENZA ("full range')	8 Ω	8 Ω	8 Ω	8 Ω	8 Ω
POTENZA (RMS, "full range")	500 W	500 W	500 W	500 W	500 W
IMPEDENZE ("bi-amp')	8 Ω(LF)-8 Ω(HF)	8 Ω(LF)-8 Ω(HF)	8 Ω(LF)-8 Ω(HF)	8 Ω(LF)-8 Ω(HF)	8 Ω(LF)-8 Ω(HF)
POTENZE (AES, "bi-amp")	400 W (LF) 100 W (HF)	400 W (LF) 100 W (HF)	400 W (LF) 100 W (HF)	400 W (LF) 100 W (HF)	400 W (LF) 100 W (HF)
FREQUENZA DI CROSSOVER	1,2 kHz	1,2 kHz	1,2 kHz	1,2 kHz	1,2 kHz
RISPOSTA IN FREQUENZA (-10 dB)	55 Hz ÷ 20 kHz	55 Hz ÷ 20 kHz	55 Hz ÷ 20 kHz	55 Hz ÷ 20 kHz	55 Hz ÷ 20 kHz
SENSIBILITÀ (1 W / 1 m)	99 dB	99 dB	99 dB	99 dB	99 dB
PRESSIONE SONORA (1 m)	126 dB (500W)	126 dB (500W)	126 dB (500W)	126 dB (500W)	126 dB (500W)
WOOFER	15" (bob. 3")	15" (bob. 3")	15" (bob. 3")	15" (bob. 3")	15" (bob. 3")
DRIVER	1,4" (bob. 2,5")	1,4" (bob. 2,5")	1,4" (bob. 2,5")	1,4" (bob. 2,5")	1,4" (bob. 2,5")
DISPERSIONE (ORIZ. X VERT.)	60° x 40°	60° x 60°	90° x 40°	90° x 60°	90° x 90°
PESO NETTO	34,8 kg	34,8 kg	34,8 kg	34,8 kg	34,8 kg

MODEL	C 7312-64	C 7312-94	C 9315-64	C 9315-94
IMPEDENZA ("full range')	8 Ω	8 Ω	8 Ω	8 Ω
POTENZA (RMS, "full range")	700 W	700 W	1000 W	1000 W
IMPEDENZE ("bi-amp')	8 Ω(LF)-8 Ω(HF)	8 Ω(LF)-8 Ω(HF)	8 Ω(LF)-8 Ω(HF)	8 Ω(LF)-8 Ω(HF)
POTENZE (AES, "bi-amp")	600 W (LF) - 90 W (HF)	600 W (LF) - 90 W (HF)	800 W (LF) - 90 W (HF)	800 W (LF) - 90 W (HF)
FREQUENZA DI CROSSOVER	1, 2 kHz	1,2 kHz	1,2 kHz	1,2 kHz
RISPOSTA IN FREQUENZA (-10 dB)	50 Hz ÷ 20 kHz	50 Hz ÷ 20 kHz	50 Hz ÷ 20 kHz	50 Hz ÷ 20 kHz
SENSIBILITÀ (1 W / 1 m)	99 dB	98 dB	101 dB	100 dB
PRESSIONE SONORA (1 m)	127 dB (700 W)	126 dB (700 W)	131 dB (1000 W)	130 dB (1000 W)
WOOFER	12" (bobina 4")	15" (bobina 4")	15" (bobina 4")	15" (bobina 4")
DRIVER	2" (bobina 3")	2" (bobina 3")	2" (bobina 3")	2" (bobina 3")
DISPERSIONE (ORIZ. X VERT.)	60° x 40°	90° x 40°	60° x 40°	90° x 40°
PESO NETTO	/	/	/	/



DIMENSIONI C 5215, C 9315 mm



Except possible errors and omissions.
RCF S.p.A. reserves the right to make modifications without prior notice.

Salvo eventuali errori ed omissioni.
RCF S.p.A. si riserva il diritto di apportare modifiche senza preavviso.

HEADQUARTERS:

RCF S.p.A. Italy
tel. +39 0522 274 411
e-mail: info@rcf.it

RCF UK
tel. 0844 745 1234
Int. +44 870 626 3142
e-mail: info@rcfaudio.co.uk

RCF France
tel. +33 1 49 01 02 31
e-mail: france@rcf.it

RCF Germany
tel. +49 2203 925370
e-mail: germany@rcf.it

RCF Spain
tel. +34 91 817 42 66
e-mail: info@rcfaudio.es

RCF Belgium
tel. +32 (0) 3 - 3268104
e-mail: belgium@rcf.it

RCF USA Inc.
tel. +1 (603) 926-4604
e-mail: info@rcf-usa.com



www.rcfaudio.com