

DIVE 6 FC



DIVE 6 FC

DIVE 6 FC INOX



DIVE 6 R FC

User's Manual rel 1.3 **GB**

D.T.S. Illuminazione srl - ITALY
<http://www.dts-lighting.it>



The Lighting Company

Made in Italy

Le informazioni contenute in questo documento sono state attentamente redatte e controllate. Tuttavia non è assunta alcuna responsabilità per eventuali inesattezze. Tutti i diritti sono riservati e questo documento non può essere copiato, fotocopiato, riprodotto per intero o in parte senza previo consenso scritto della D.T.S .

DTS si riserva il diritto di apportare senza preavviso cambiamenti e modifiche estetiche , funzionali o di design a ciascun proprio prodotto. D.T.S non assume alcuna responsabilità sull'uso o sull'applicazione dei prodotti o dei circuiti descritti.

The information contained in this publication has been carefully prepared and checked. However, no responsibility will be taken for any errors. All rights are reserved and this document cannot be copied, photocopied or reproduced, in part or completely, without prior written consent from D.T.S. D.T.S. reserves the right to make any aesthetic, functional or design modifications to any of its products without prior notice. D.T.S. assumes no responsibility for the use or application of the products or circuits described herein.

Les informations contenues dans le présent manuel ont été rédigées et contrôlées avec le plus grand soin. Nous déclinons toutefois toute responsabilité en cas d'éventuelles inexactitudes. Tous droits réservés. Ce document ne peut être copié, photocopié ou reproduit, dans sa totalité ou partiellement, sans le consentement préalable de D.T.S.

D.T.S. se réserve le droit d'apporter toutes modifications et améliorations esthétiques, fonctionnelles ou de design, sans préavis, à chacun de ses produits. D.T.S. décline toute responsabilité sur l'utilisation ou sur l'application des produits ou des circuits décrits.

Las informaciones contenidas en este documento han sido cuidadosamente redactadas y controladas. Con todo, no se asume ninguna responsabilidad por eventuales inexactitudes. Todos los derechos han sido reservados y este documento no puede ser copiado, fotocopiado o reproducido, total o parcialmente, sin previa autorización escrita de D.T.S.

D.T.S. se reserva el derecho a aportar sin previo aviso cambios y modificaciones de carácter estético, funcional o de diseño a cada producto suyo. D.T.S. no se asume responsabilidad de ningún tipo sobre la utilización o sobre la aplicación de los productos o de los circuitos descritos.

DIVE 6 FC

D.T.S. Product codes:

03.LPB004E99FC10	DIVE 6 FC Narrow lenses
03.LPB004E99FC25	DIVE 6 FC Medium flood lenses
03.LPB004E99FC40	DIVE 6 FC Wide flood lenses

LED technology

6 x FULL RGBW LEDs; 2700K - 6500K Colour temperature range; 2300 Lumens
LEDs average lifespan: 75.000 hours (70% lumen output)

Optical units

3 lenses sets available: Narrow, Medium flood, Wide flood

Control

DMX 512

Protection

IP 68 (max immersion depth: 2 m)

Construction

DIVE 6 FC is made on bronze and stainless steel and it is fitted with a mounting bracket for underwater installation in fountains, swimming pools, etc.

Power supply

Z30 or Z60 24Vdc LED Controller
Electronic full-range 90-260Vac 50-60Hz

Power consumption

42W

Connection

8 poles cable (5 m length)

Operating ambient temperature

-10° / 40°

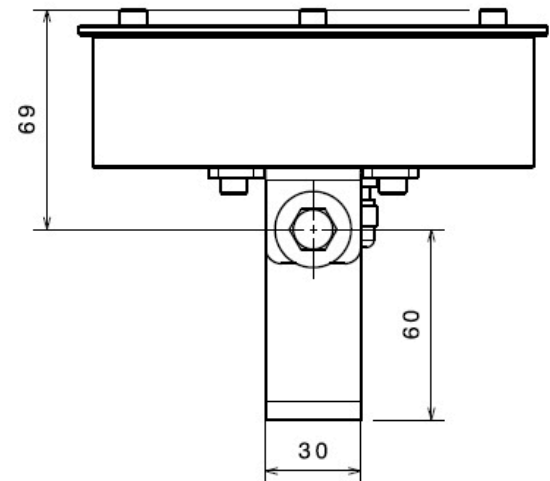
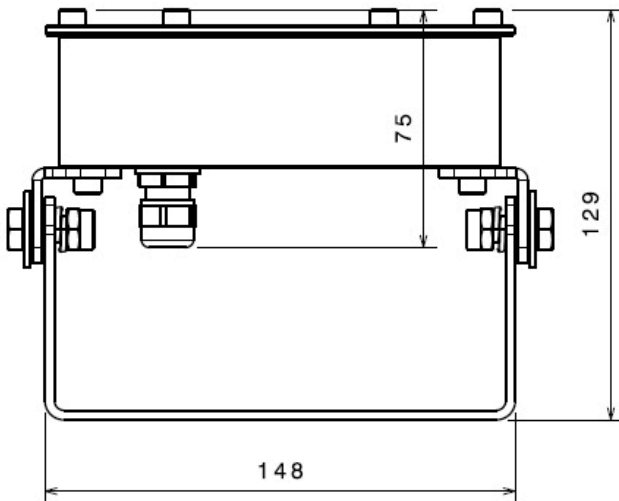
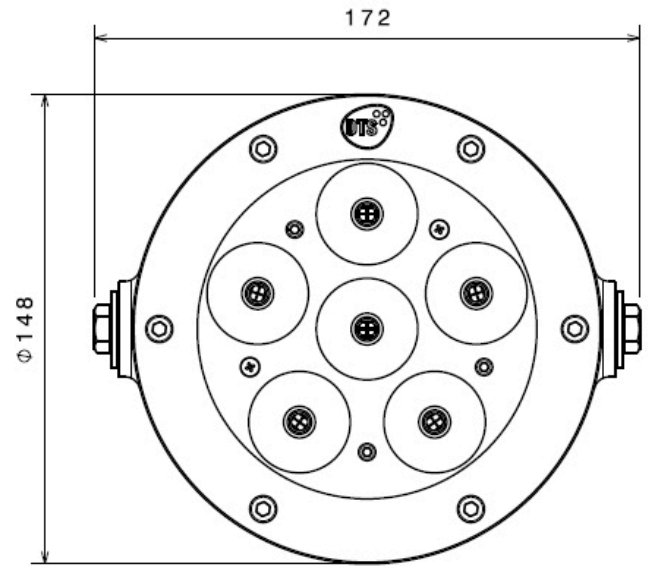
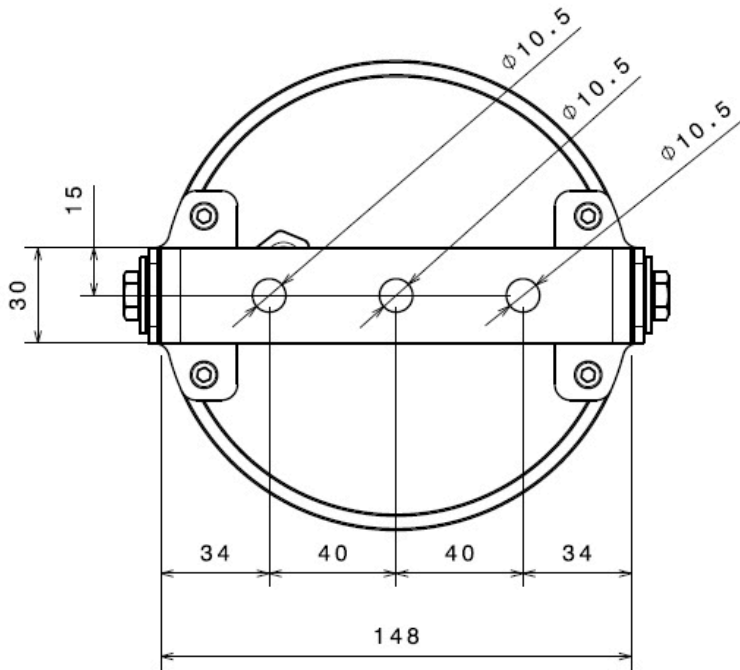
Weight

3,9 Kg

ACCESSORIES

- Z30 LED Controller 24Vdc 4 channels 8 Screw terminals outputs (D.T.S. Code 03.LA.077.V5)
- Z60 LED Controller 24Vdc 4 channels 16 Screw terminals outputs (D.T.S. Code 03.LA.076.V5)

DIMENSIONS



DIVE 6 FC INOX

D.T.S. Product codes:

03.LPB007E99FC10	DIVE 6 FC INOX Narrow lenses
03.LPB007E99FC25	DIVE 6 FC INOX Medium flood lenses
03.LPB007E99FC40	DIVE 6 FC INOX Wide flood lenses

LED technology

6 x FULL RGBW LEDs; 2700K - 6500K Colour temperature range; 2300 Lumens
LEDs average lifespan: 75.000 hours (70% lumen output)

Optical units

3 lenses sets available: Narrow, Medium flood, Wide flood

Control

DMX 512

Protection

IP 68 (max immersion depth: 2 m)

Construction

DIVE 6 FC is made on stainless steel and it is fitted with a mounting bracket for underwater installation in fountains, swimming pools, etc.

Power supply

Z30 or Z60 24Vdc LED Controller
Electronic full-range 90-260Vac 50-60Hz

Power consumption

42W

Connection

8 poles cable (5 m length)

Operating ambient temperature

-10° / 40°

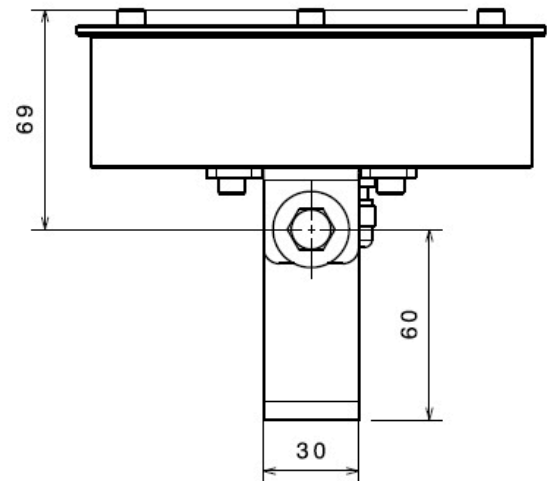
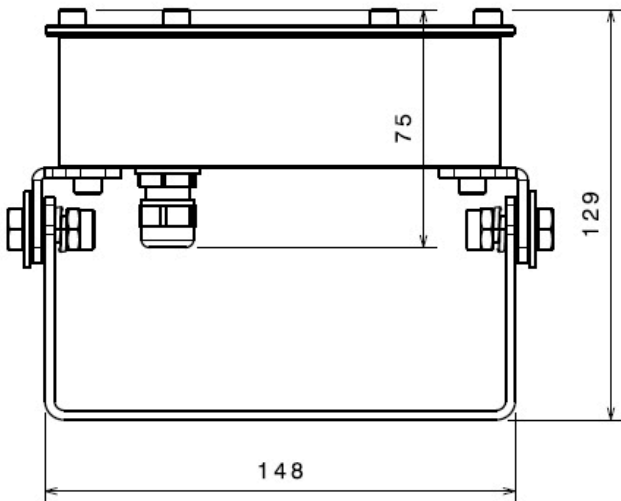
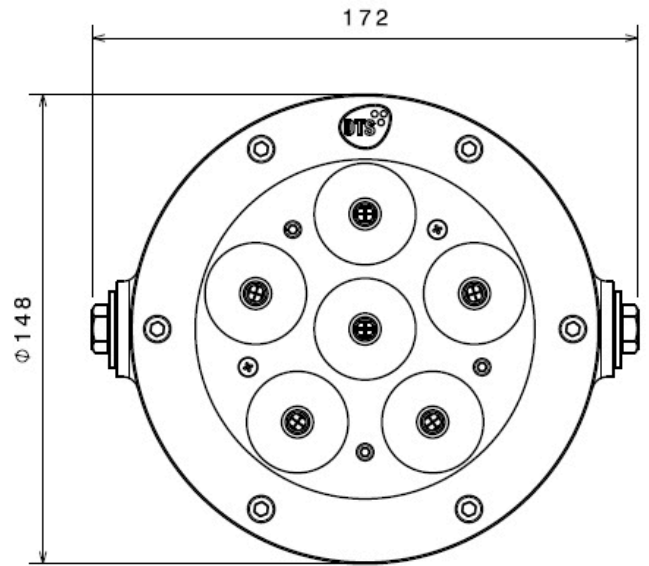
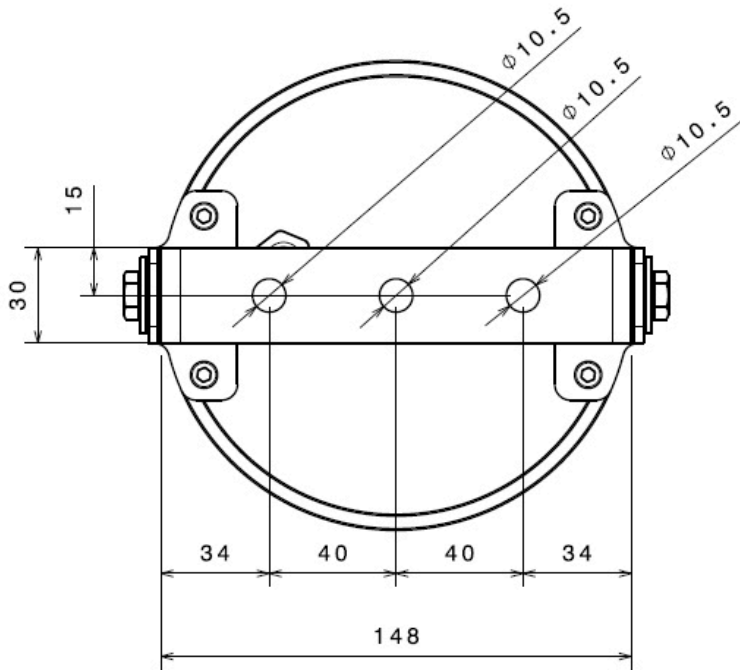
Weight

4,4 Kg

ACCESSORIES

- Z30 LED Controller 24Vdc 4 channels 8 Screw terminals outputs (D.T.S. Code 03.LA.077.V5)
- Z60 LED Controller 24Vdc 4 channels 16 Screw terminals outputs (D.T.S. Code 03.LA.076.V5)

DIMENSIONS



DIVE 6 R FC

D.T.S. Product codes:

03.LPS004E99FC10	DIVE 6 R FC Narrow lenses
03.LPS004E99FC25	DIVE 6 R FC Medium flood lenses
03.LPS004E99FC40	DIVE 6 R FC Wide flood lenses

LED technology

6 x FULL RGBW LEDs; 2700K - 6500K Colour temperature range; 2300 Lumens
LEDs average lifespan: 75.000 hours (70% lumen output)

Optical units

3 lenses sets available: Narrow, Medium flood, Wide flood

Control

DMX 512

Protection

IP 68 (max immersion depth: 2 m)

Construction

DIVE 6 R FC is made on bronze and stainless steel and it features a reinforced structure with a round flange, for recessed underwater installation in fountains, swimming pools, etc.

Power supply

Z30 or Z60 24Vdc LED Controller
Electronic full-range 90-260Vac 50-60Hz

Power consumption

42W

Connection

8 poles cable (5 m length)

Operating ambient temperature

-10° / 40°

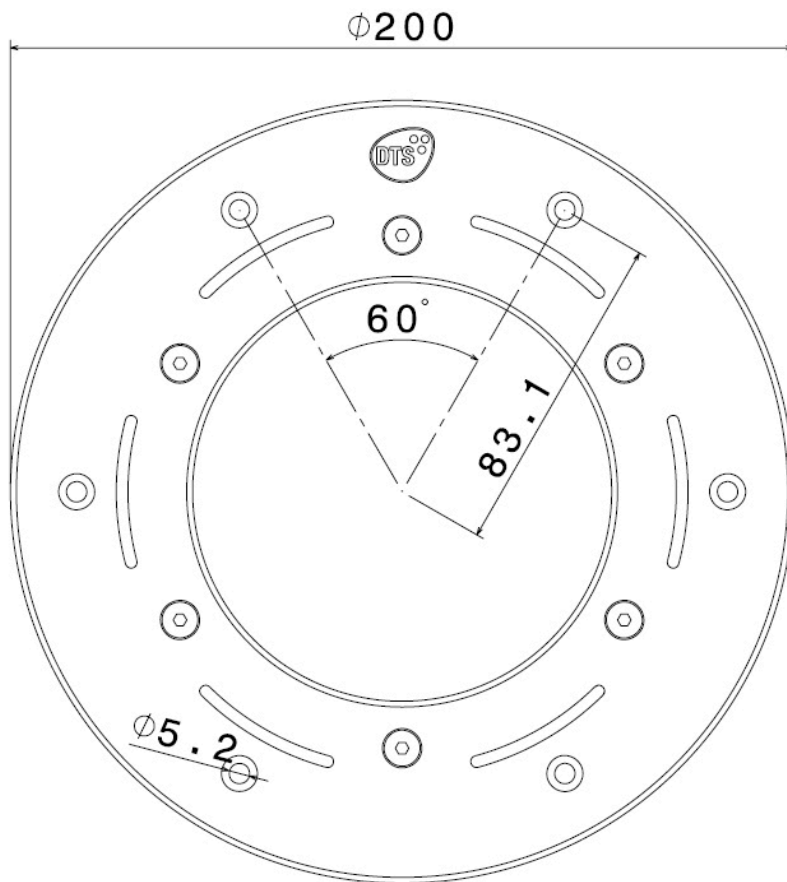
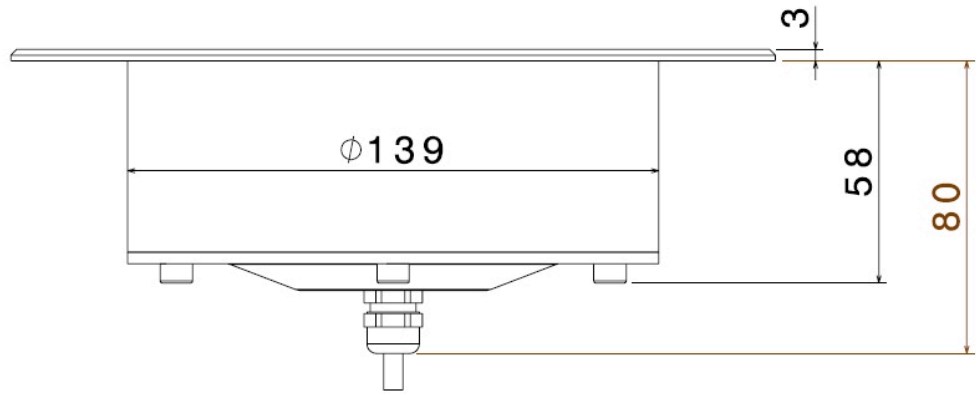
Weight

3,9 Kg

ACCESSORIES

- Z30 LED Controller 24Vdc 4 channels 8 Screw terminals outputs (D.T.S. Code 03.LA.077.V5)
- Z60 LED Controller 24Vdc 4 channels 16 Screw terminals outputs (D.T.S. Code 03.LA.076.V5)
- Outer case IP68 (D.T.S. Code 03.LA.078)

DIMENSIONS



IMPORTANT SAFETY INFORMATION

Fire prevention:

It is permissible to place the unit on normally flammable surfaces.

Suitable for mounting on normally flammable materials surfaces greater than 200°C with some combustion time lag.

Safety:

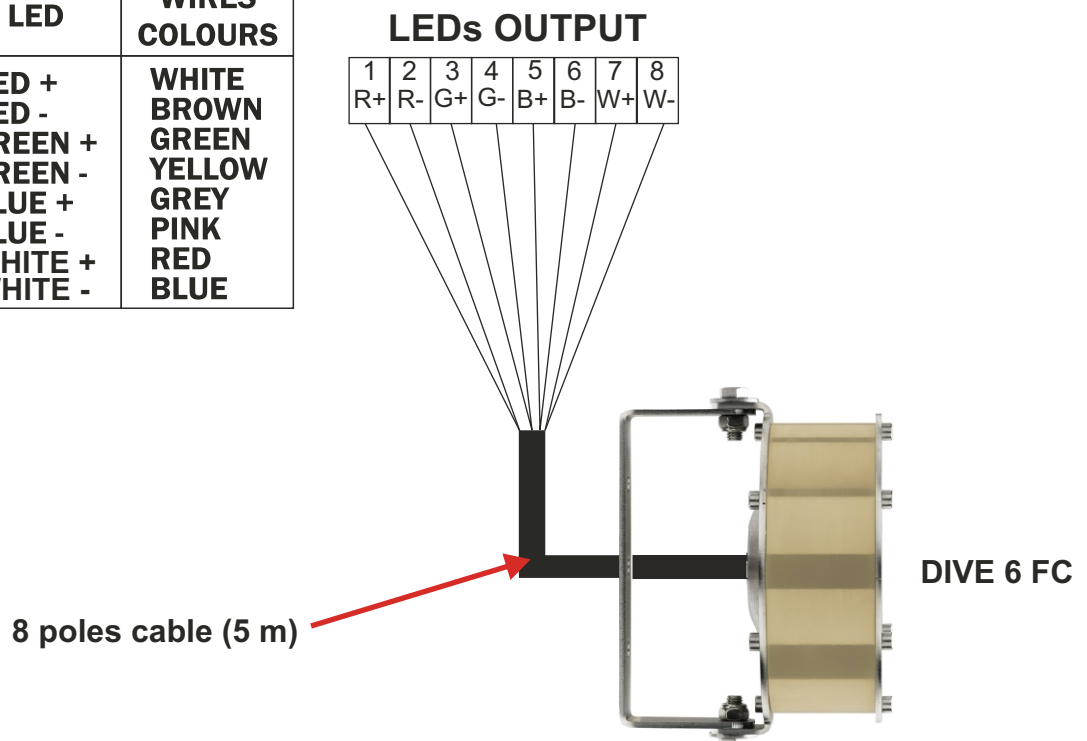
The external surface of the unit may exceed 50°C; never handle the unit until at least 5 minutes have elapsed since the unit was turned off.

The ambient temperature should not exceed 40°C and should not be lower than -10°C.

CONNECTION

DIVE 6 FC, DIVE 6 FC INOX and DIVE 6 R FC are provided with a 8 poles cable (5 m length).

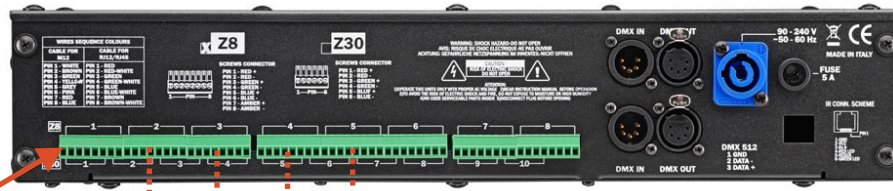
CONNECTION		
PIN OUT	LED	WIRES COLOURS
PIN 1	RED +	WHITE
PIN 2	RED -	BROWN
PIN 3	GREEN +	GREEN
PIN 4	GREEN -	YELLOW
PIN 5	BLUE +	GREY
PIN 6	BLUE -	PINK
PIN 7	WHITE +	RED
PIN 8	WHITE -	BLUE



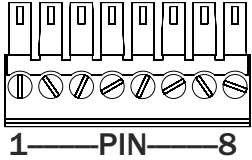
The maximum distance between the power supply and the unit should not exceed 100 meters.

WIRING DIAGRAMS

Z30 LED Controller
 24Vdc 4 channels
 8 Screw terminals
 outputs
 (Code 03.LA.077.V5)

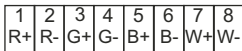


8 poles screw terminals

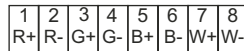


LEDs OUT 5
 LEDs OUT 4
 LEDs OUT 3
 LEDs OUT 2

LEDs output

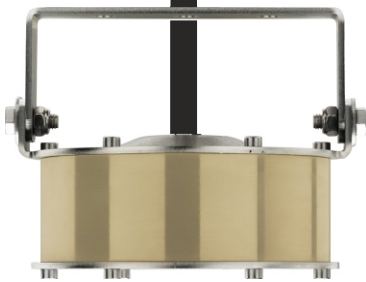


LEDs output



CONNECTION

PIN OUT	LED	WIRES COLOURS
PIN 1	RED +	WHITE
PIN 2	RED -	BROWN
PIN 3	GREEN +	GREEN
PIN 4	GREEN -	YELLOW
PIN 5	BLUE +	GREY
PIN 6	BLUE -	PINK
PIN 7	WHITE +	RED
PIN 8	WHITE -	BLUE



DIVE 6 FC



DIVE 6 R FC

The maximum number of DIVE 6 FC, DIVE 6 FC INOX or DIVE 6 R FC unit connectable to Z30 LED Controller is 8 pcs (1 unit each output).

The maximum number of DIVE 6 FC, DIVE 6 FC INOX or DIVE 6 R FC unit connectable to Z60 LED Controller is 16 pcs (1 unit each output).

The maximum distance between the power supply and the unit should not exceed 100 meters.

Never plug in a new unit when the power supply is turned on.

NOTES

The information contained in this publication has been carefully prepared and checked. However, no responsibility will be taken for any errors. All rights are reserved and this document cannot be copied, photocopied or reproduced, in part or completely, without prior written consent from D.T.S.

D.T.S. reserves the right to make any aesthetic, functional or design modifications to any of its products without prior notice. D.T.S. assumes no responsibility for the use or application of the products or circuits described herein.

MADE IN ITALY



The Lighting Company

ISO 9001:2008

D.T.S. quality system
is certified to the
ISO 9001:2008 standard



D.T.S. products are designed
and manufactured at the D.T.S.
plants in Italy



05171118