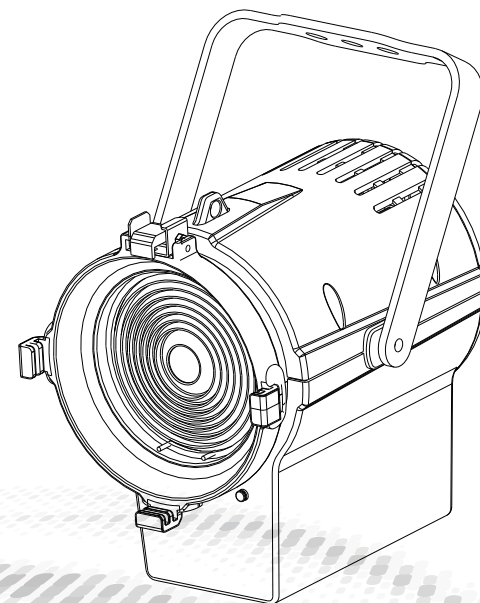
 <small>YAJIANG APPLIED TECHNOLOGIES</small>				图纸编号	RD-SS868-SM-01(SS-I)	版本号	A
SS868SW&SC 中文说明书				编制日期	2018.10.18		
制作	邓永杰	SSP	高文勇	审核		批准	
文件名及路径	系统文档夹/部门资料库/技术部/曾宪忠/包装设计/新方案/说明书/silver/SS868						
新物料编号							
旧物料编号				成品编号	P30615		
通用产品							
备注							F

FREZNO MINI

USER MANUAL

 [®] FREZNO MINI
SS868



MODEL:SS868SW&SS868SC



— Since 1985 —

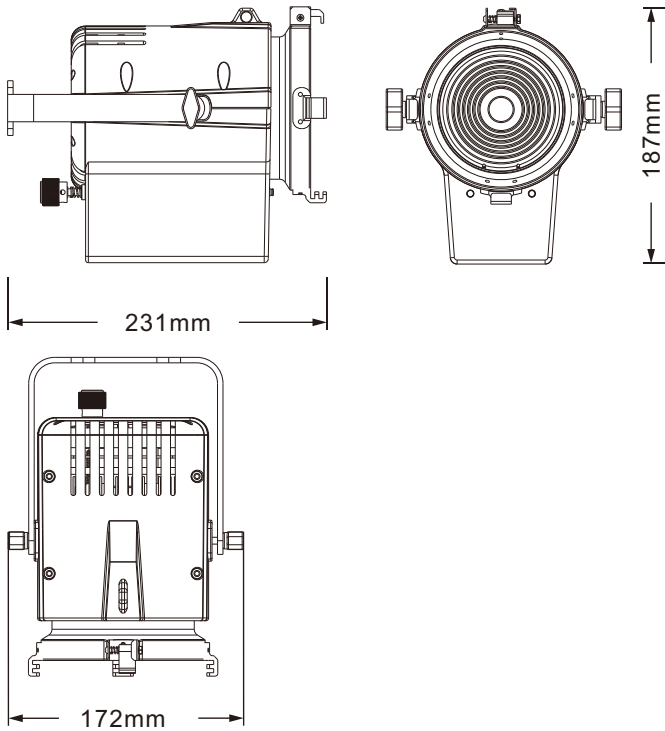
广州市雅江光电设备有限公司
Guangzhou Yajiang Photoelectric Equipment Ltd.
电话/Tel:020-86947788 邮箱/E-mail:sales@yajiang.cn
传真/Fax:020-86943773 网址/Website:www.yajiang.cn

RD-SS868-SM-01(SS-I)

1 Product Introduction

1.1 Specification

Product Code	SS868SW/SS868SC
Dimension	231 × 172 × 187(mm)
Weight	2.4KG
Rated Power	22W
Input Voltage	AC100~240V
Frequency Range	50/60Hz
Ambient Temperature	0°C~45°C
Beam Angle	12°~34°
LED quantity	WW*1PCS/CW*1PCS



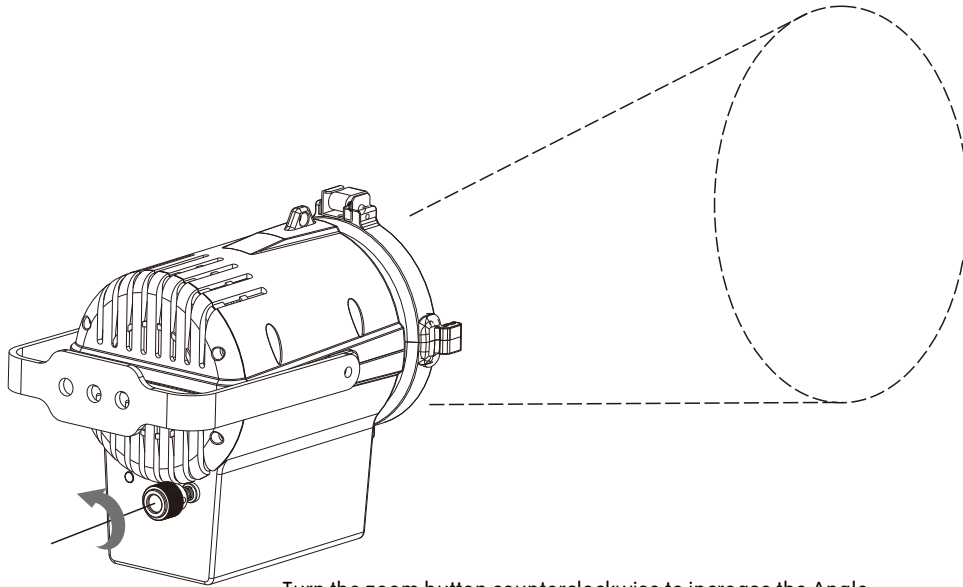
4 Control with a DMX512 controller

4.1 Channel assignment

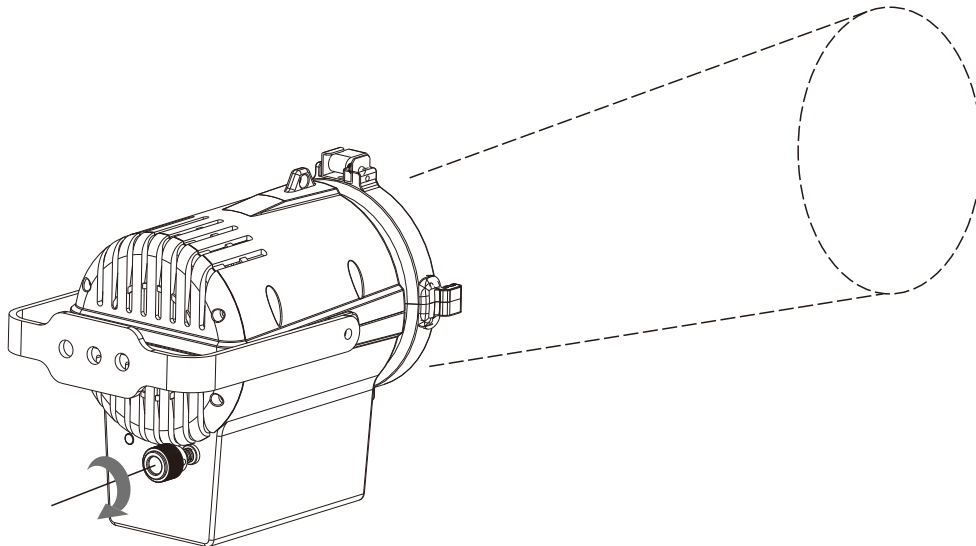
◆ Note: This product has DMX512 channel configurations:

CHANNEL	VALUE	FUNCTION
1	000 ↔ 255	DIMMER

3.2 Operation for zoom



Turn the zoom button counterclockwise to increase the Angle.



Turn the zoom button clockwise to reduce the Angle.

1.2 Safety warning

IMPORTANT

Always read the user manual before operation.

Please confirm that the power supply stated on the product is the same as the mains power supply in your area.

- This product must be installed by a qualified professional.
- Always operate the equipment as described in the user manual.
- A minimum distance of 0.5m must be maintained between the equipment and combustible surface.
- The product must always be placed in a well ventilated area.
- Always make sure that the equipment is installed securely.
- Do not stand close to the equipment and stare directly into the LED light source.
- Always disconnect the power supply before attempting and maintenance.
- Always make sure that the supporting structure is solid and can support the combined weight of the products.
- The earth wire must always be connected to the ground.
- Do not touch the power cables if your hands are wet.

ATTENTION

 ATTENTION 

- This product left the place of manufacture in perfect condition. In order to maintain this condition and for safe operation, the user must always follow the instructions and safety warnings described in this user manual.
- Avoid shaking or strong impacts to any part of the equipment.
- Make sure that all parts of the equipment are kept clean and free of dust.
- Always make sure that the power connections are connected correct and secure.
- If there is any malfunction of the equipment, contact your distributor immediately.
- When transferring the product, it is advisable to use the original packaging in which the product left the factory.
- Shields, lenses or ultraviolet screens shall be changed if they have become damaged to such an extent that their effectiveness is impaired.
- The lamp (LED) shall be changed if it has become damaged or thermally deformed.



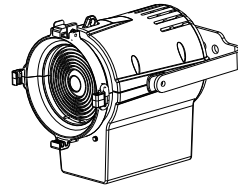
Caution, risk of electric shock
The light source contained in this luminaire shall only be replaced by the manufacturer or his service agent or a similar qualified person.

2 Installation

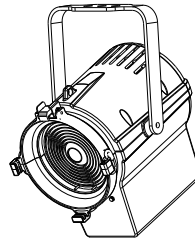
2.1 Mounting

The fixture can be mounted in any position. Always ensure that mounting surface can withstand 10 times the weight of the fixture.

Always use a safety cable when mounting the fixture in any elevated position.



UPRIGHT



HANGING

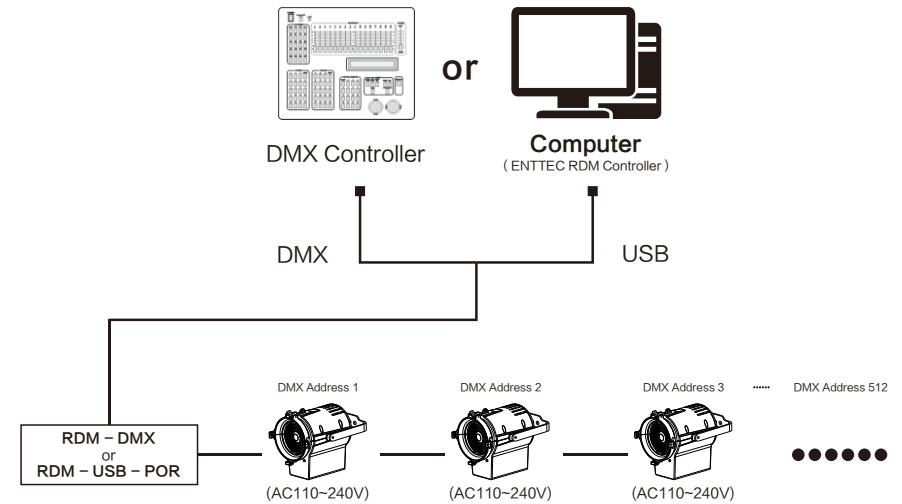
Important safety note!!
Always use a safety cable when installing this unit!!
Be sure that the safety cable is connected to a solid load-bearing structure.

2.2 The control station setting of connecting DMX512

The DMX console and the lamp body are connected in series.

Because the Std.P MODE is five channels, the address code of the lamp increases by 5 times such as (1,6,11,16...), also each it can be reused as needed.

The DMX address code can be any value between 001 and 512.



3 Operation

3.1 Instruction for switch

